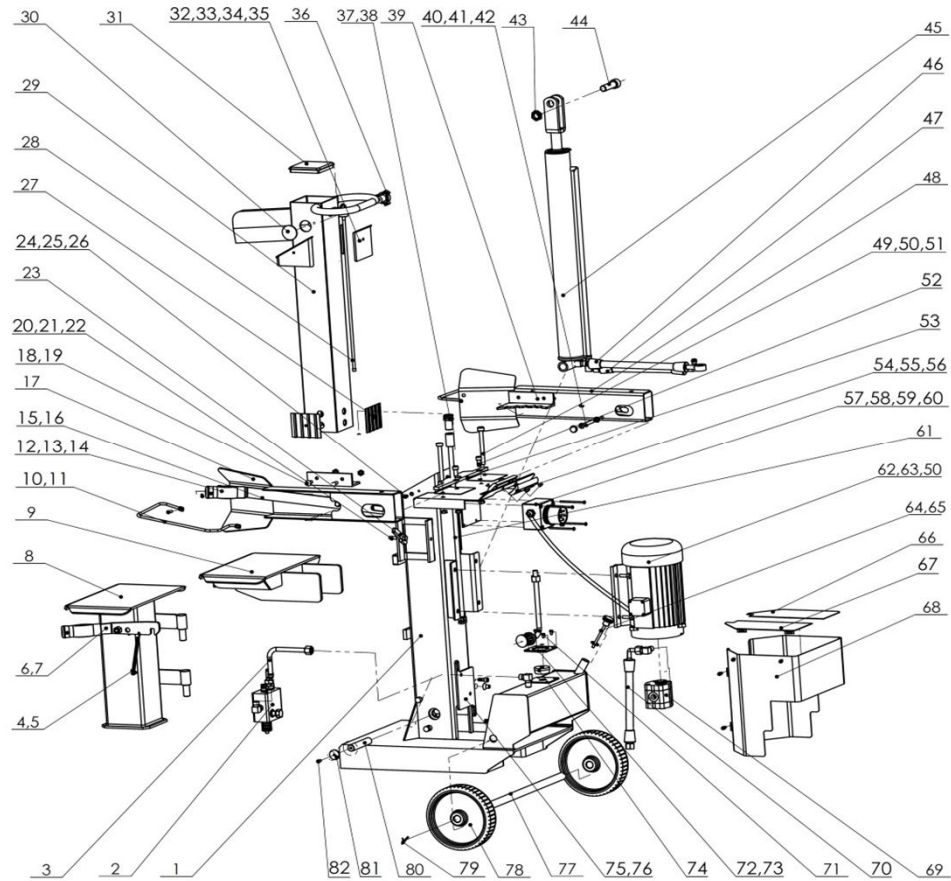


LS 10T



No	Code	Name	Qty	No	Code	Name	Qty
1		Main body column	1	25		Spring washer 4	4
2	037933	Direction exchanging valve assembly	1	26		M6 washer	4
3		Working oil pipe assembly	1	27	040903	Fixing side board	4
4		Spring	1	28		Ram stroke control lever	1
5		M6x20 inner hex screw	2	29	023096	Splitter column assembly	1
6		Locking handle	1	30		Fixing bush	1
7		M12 anti-retracting nut	1	31		Dustproof cover	1
8		Rotating Working table assembly	1	32	023101	Front supporting plate	1
9		Main working table assembly	1	33		Rear supporting plate	1
10		Protective ring	2	34		Left supporting plate	1
11		M6x14 screw	2	35		Right supporting plate	1
12		Operation handle sleeve	3	36		M8 screw	1
13		M5x20 screw	3	37		Adjusting screw	1
14		M5 anti-retracting nut	3	38		Adjusting nut	1
15		Operation handle	2	39		Left side clamp	1
16		M8x25 inner hex bolt	1	40		M8x50 screw	2
17		Left handle guard	1	41		Screw	2
18		Right side clamp	1	42		M8 inner hex nut	4
19		M8x16 bolt	4	43		M22 anti-retracting nut	1
20		M8x45 inner hex bolt	2	44		M22x65 inner hex bolt	1
21		M8 washer	4	45	027364	Piston rod assembly	1
22		M8 anti-retracting nut	10	46		Connecting pipe assembly	1
23		Small lock plate	4	47		Working pipe assembly	1
24		M6x10 inner hex screw	4	48		Left handle guard	1

