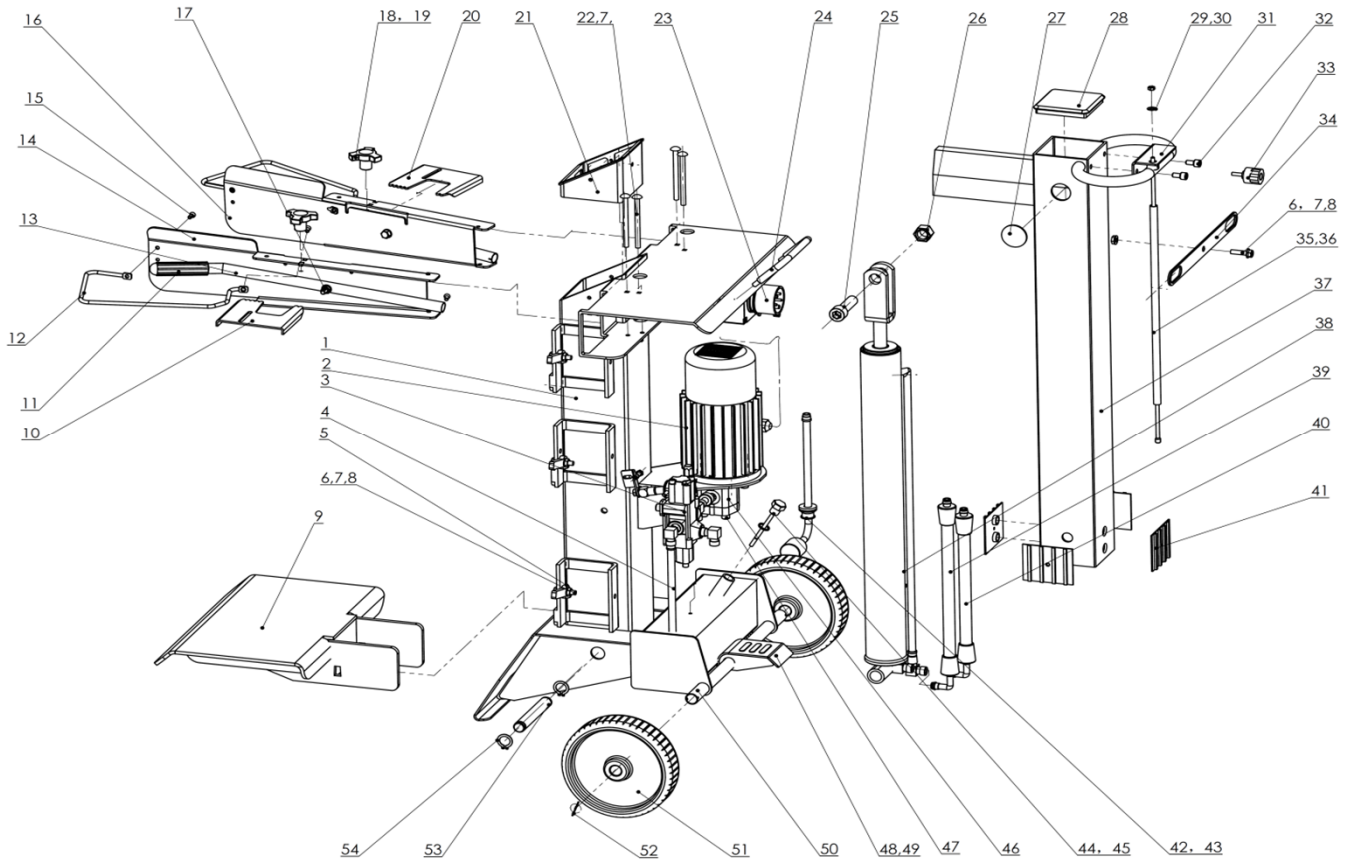


LS 6T



No	Code	Name	Qty	No	Code	Name	Qty
1		Main structure assembly	1	25		Inner hexagon Bolt M18x65	1
2	023073	Motor	1	26		Locknut M18	1
3	023074	Valve assembly	1	27		Dustproof cover	1
4	023111	Leak oil pipe assembly	1	28	031976	Cover plate	1
5	023117	Small lock plate	6	29	023078	Locknut M6	1
6		Hexagon. Bolt M8x25	6	30		Washer 6	1
7		Lock nut M8	6	31		Angle flexible plate	1
8		Washer 8	18	32		Inner hexagon screw M8x15	2
9	027357	Working table assembly	1	33		Located knob M6	1
10	023076	Right side clamp	1	34		Operation level	1
11		Rubber handle sleeve	2	35	023079	Connection pole assembly	1
12		Protective ring	2	36		Connection pipe assembly	1
13		Joy stick	2	37	023080	Splitter column assembly	1
14		Right handle side guard	1	38	023081	Oil cylinder assembly	1
15	Screw M6x14	2	39	023082	Oil pipe assembly 1	1	
16	023077	Left handle side guard	1	40	023083	Oil pipe assembly 2	1
17		Inner hex bolt M8x45	2	41	040905	Fixed side board (plastic)	1
18		Screw knob M8	2	42		Oil input pipe assembly	1
19		Bolt M8x16	2	43		Oil plug	1
20		Left side clamp	1	44	023112	Oil ruler	1
21	031974	Supporting plate assembly	1	45		Gasket ring	1
22		Bolt M8x110	4	46	023085	Gear pump	1
23	031975	Switch	1	47		Inner hexagon Screw M8x85	2
24		Handle	1	48	023086	Reset spring	1

**LS 6T**

No	Code	Name	Qty	No	Code	Name	Qty
49	023086	Pedal	1	97			
50		Shaft for wheel	1	98			
51	023113	Wheel	2	99			
52		Split pin	2	100			
53		Mandrel	1	101			
54		Circlips for shaft	2	102			
55				103			
56				104			
57				105			
58				106			
59				107			
60				108			
61				109			
62				110			
63				111			
64				112			
65				113			
66				114			
67				115			
68				116			
69				117			
70				118			
71				119			
72				120			
73				121			
74				122			
75				123			
76				124			
77				125			
78				126			
79				127			
80				128			
81				129			
82				130			
83				131			
84				132			
85				133			
86				134			
87				135			
88				136			
89				137			
90				138			
91				139			
92				140			
93				141			
94				142			
95				143			
96				144			