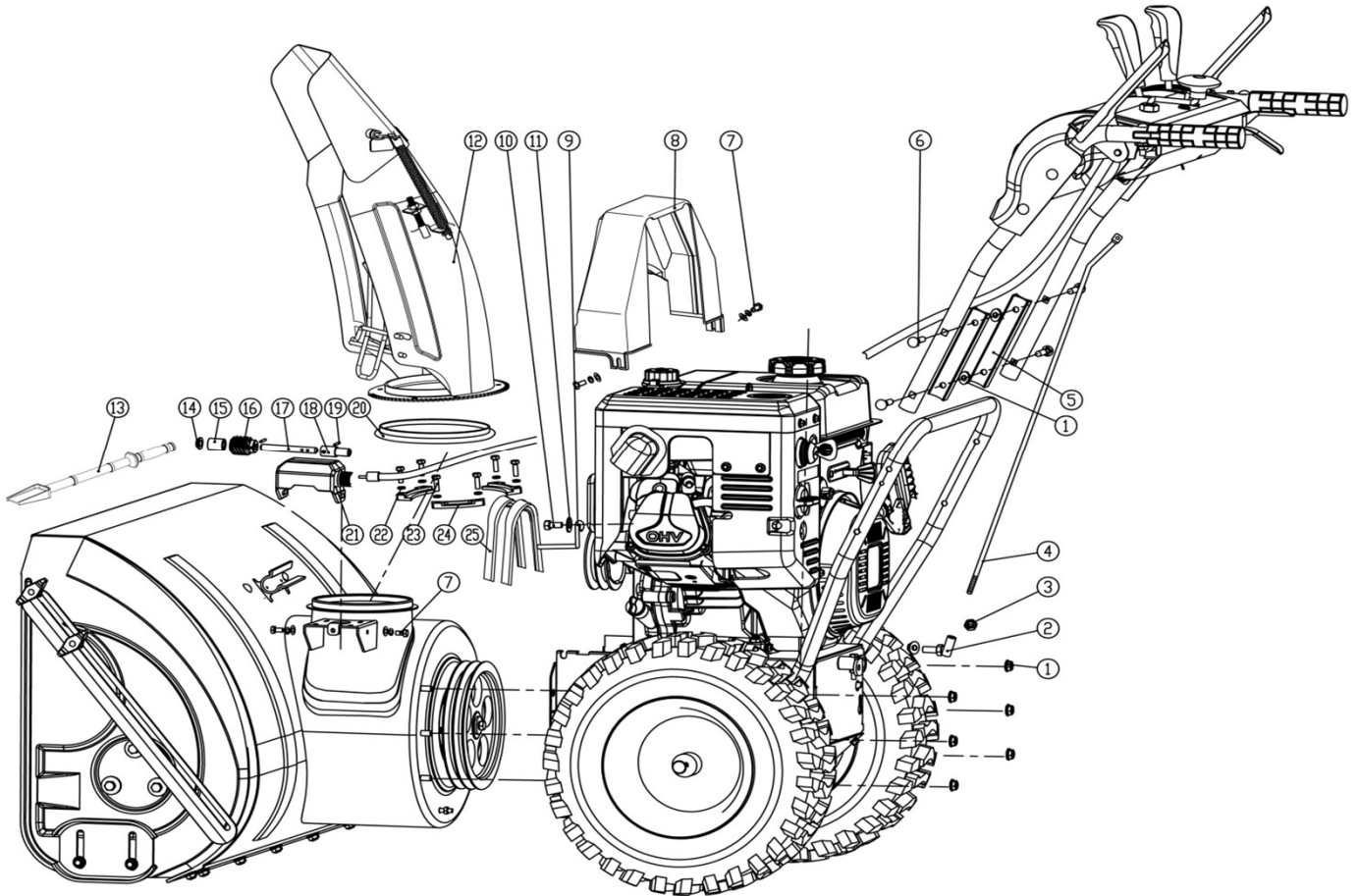
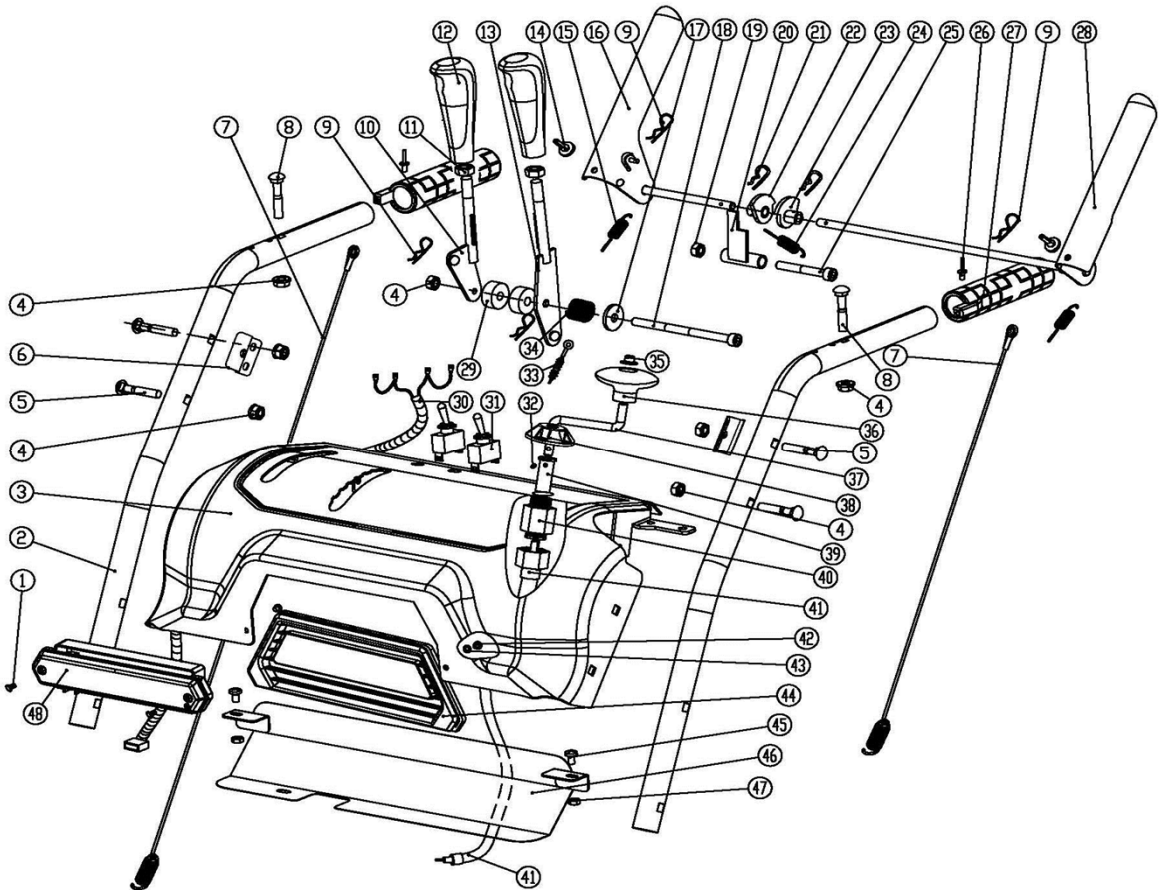


VST 120 - Part 1



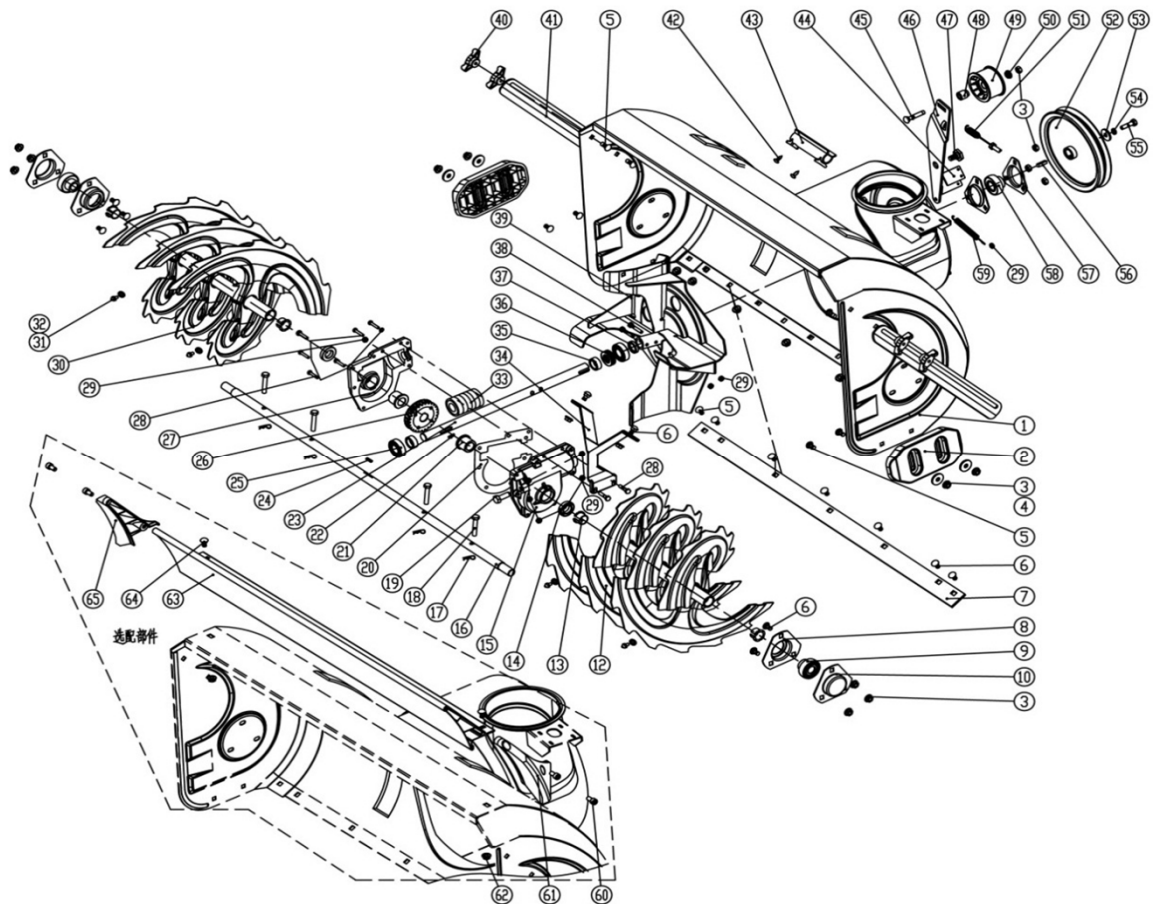
No	Code	Name	Qty	No	Code	Name	Qty
1		jam nut M8	9	25		Belt	2
2		right gimbal	1				
3		nut M8x1	1				
4		gear connector bar	1				
5		armrest pads	2				
6		bolt M8x75	4				
7		bolt M6x16	4				
8	041877	belt cover	1				
9		belt rod	1				
10		bolt M8x25	1				
11		big washer8	1				
12	041910	chute assemble	1				
13		shovel	1				
14		bracket washer	1				
15		long pad	1				
16		hollow worm	1				
17		core shaft	1				
18		lower connecting pipe	1				
19		cylindrical pin 3*10	1				
20	041878	chute washer	1				
21		rotating aluminum braket	1				
22		spring washer6	6				
23		fixed block	6				
24		Screw M6x16	3				

VST 120 - Panel



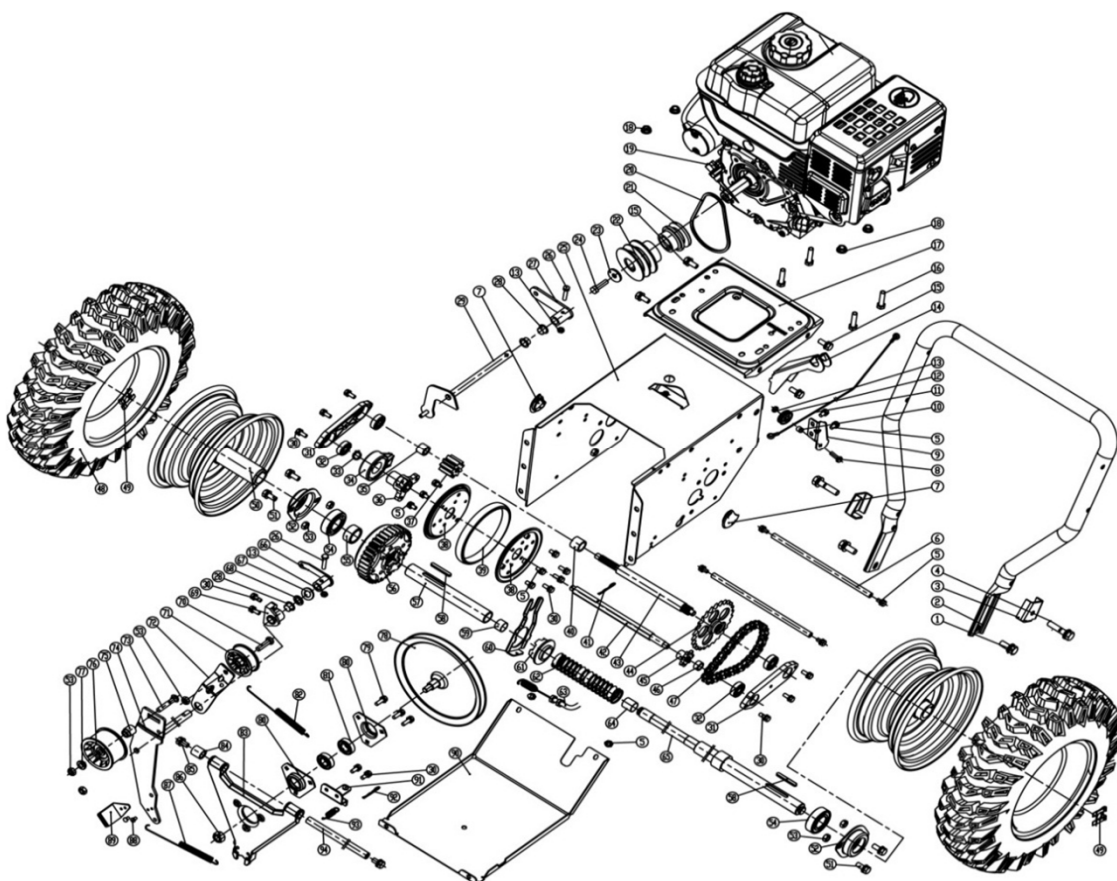
No	Code	Name	Qty	No	Code	Name	Qty
1		bolt ST3.5X16F	2	25		screws M8X60	1
2		upper handle	2	26		rivets3X8	2
3		panel	1	27		heated handle	2
4		hex flange nut M8	7	28		control pad,right	1
5		carriage boltM8X40	4	29		short bush	2
6		spring base	2	30		input wire	1
7		long pull wire	2	31		switch	2
8		carriage boltM8X35	2	32		spring pin3X12	1
9		B pin ϕ 1.5X25	4	33		chute pull wire	1
10		gear handle bar	1	34		spring	1
11		hex nut M10	2	35		hat piece 8	1
12		gear handle	2	36		rotation handle	1
13		chute cap coontrol handle	1	37		rotator connector	1
14		rubber pad	2	38		upper fixed seat for rotation handle	1
15		handle spring	2	39		upper connector rod	1
16		control pad,right	1	40		lower fixed seat for rotation handle	1
17		jumbo washer8	1	41		flexible shaft assembly	2
18		screwsM8X20	1	42		screw M6X10	2
19		hex locking nut M8	1	43		washer 6	2
20		stopper part	1	44		panel	1
21		individual pinchcock	2	45		hex bolt M6X16	2
22		cam,right	1	46		cover plate	1
23		cam,left	1	47		nut M6	2
24		stopper spring	1	48	041879	LED light	1

VST 120 - Housing



No	Code	Name	Qty	No	Code	Name	Qty
1	041909	housing assemble	1	26	041889	worm gear	1
2	041886	skid shoe	2	27	041890	left worm housing	1
3		nut M8	24	28		bolt M6x30	10
4		washer 8	4	29		jam nut M6	12
5		bolt M8x20	4	30	041906	left auger	1
6		bolt M8x18	15	31		oil cup M6	4
7		shave plate	1	32		flat washer 6	4
8		bearing cover	4	33	041881	worm shaft	1
9	041887	bearing SB205	2	34		strut plate	1
10		bearing seat	2	35		shaft sleeve	2
12	041905	right auger	1	36	22399	ball bearing 51104	1
13		bushing	4	37		sealing ring 20x35x7	1
14		FW sealing ring 25x35x7	2	38		bolt M6x35	2
15	041888	right worm housing	1	39	041901	fan	1
16	041874	output shaft	1	40		plastic nut (optional)	4
17	038223	B pinchcock	4	41		support bar (optional)	2
18		saftey bolt	4	42		screw ST4.2x9.5-F	2
19		bolt M10x10	1	43		shovel support	1
20	041893	paper washer	1	44		brake plate	1
21	041894	shaft sleeve φ25	2	45		bolt M8x45	1
22	038225	flat key A6x6x18	1	46		fixing plate	1
23	041880	worm shaft	1	47		screw	1
24	038225	flat key A8X7X25	1	48		bushing	1
25	32169	ball bearing 6004	2	49		big tension pulley	1

VST 120 - Transmission



No	Code	Name	Qty	No	Code	Name	Qty
1		bolt M10x25	2	25		transmission box assembly	1
2		handlebar	1	26		bolt M6X30	2
3		handle connecting plate	2	27		shift connector	1
4		bolt M10x45	2	28	038231	plastic sleeve	3
5		bolt M6x12	14	29		shift fork	1
6		strut	2	30		bolt M6X16	13
7		cover 1	1	31	041854	bearing seat	2
8		bolt M6x20	1	32	40156	ball bearing 6200	4
9		pulley seat	1	33		circlip 25	1
10		small shaft sleeve	1	34	038238	shift bearing	1
11		short wire	1	35		sleeve 15x20x15	1
12	038245	pulley	1	36	041859	rubber wheel seat	1
13		jam nut M6	3	37	041868	small gear	1
14		connecting plate	1	38	041860	inner ring of rubber wheel	2
15		bolt M8X20	4	39	041843	rubber wheel	1
16		bolt M8X35	4	40	041897	sleeve 18x23x18	1
17		engine seat	1	41	038223	spring clip	1
18		jam nut M8	4	42	041898	hexagon shaft	1
19	041902	engine	1	43	041899	transit shaft	1
20	041891	belt	1	44	041870	tyre chain wheel	1
21	041895	drive wheel 1	1	45	041869	small chain wheel	1
22	041896	drive wheel 2	1	46		sleeve 12x15x8	1
23		super washer 8	1	47	041883	chain 085-32	1
24		bolt M8X1X30	1	48	041907	tyres16X6.5-8	2

VST 120 - Transmission

No	Code	Name	Qty	No	Code	Name	Qty
49		elastic pad	2				
50		8inch rim	2				
51		bolt M8x20	4				
52		bearing seat	2				
53		jam nut M8	6				
54	15371	ball bearing 6205	2				
55		shaft sleeve 25x34x16	1				
56	041908	differential system	1				
57	041875	short semi-shaft	1				
58		flat key 6x4x45	2				
59	041884	bronze sleeve 1	1				
60		fork	1				
61		auxiliary differential part	1				
62	041892	big spring	1				
63	041900	differential cable	1				
64	041885	bronze sleeve 2	1				
65	041876	long shaft	1				
66		tension connector	1				
67		flat washer;ϕ12	1				
68		spring washer ϕ12	1				
69		fixing block	1				
70		bolt M8X30	1				
71	041864	small tension pulley	1				
72		small tension plate	1				
73		bolt M8X40	1				
74		big tension combination	1				
75		bushing	1				
76		big tension pulley	1				
77		pad	1				
78	041845	belt pulley	1				
79		bolt M6x20	3				
80		delta bearing seat	2				
81	10862	ball bearing 6002	2				
82		spring	1				
83		support for friction disc	1				
84		sleeve 13x20x20	1				
85		bolt M8X16	2				
86		jam nut M12	1				
87		brake spring	1				
88		rivet 4x10	2				
89		brake block	1				
90		bottom plate for transmission box	1				
91		position part	1				
92		B Pin;ϕ1.5X25	1				
93		reset spring	1				
94		strut	1				

