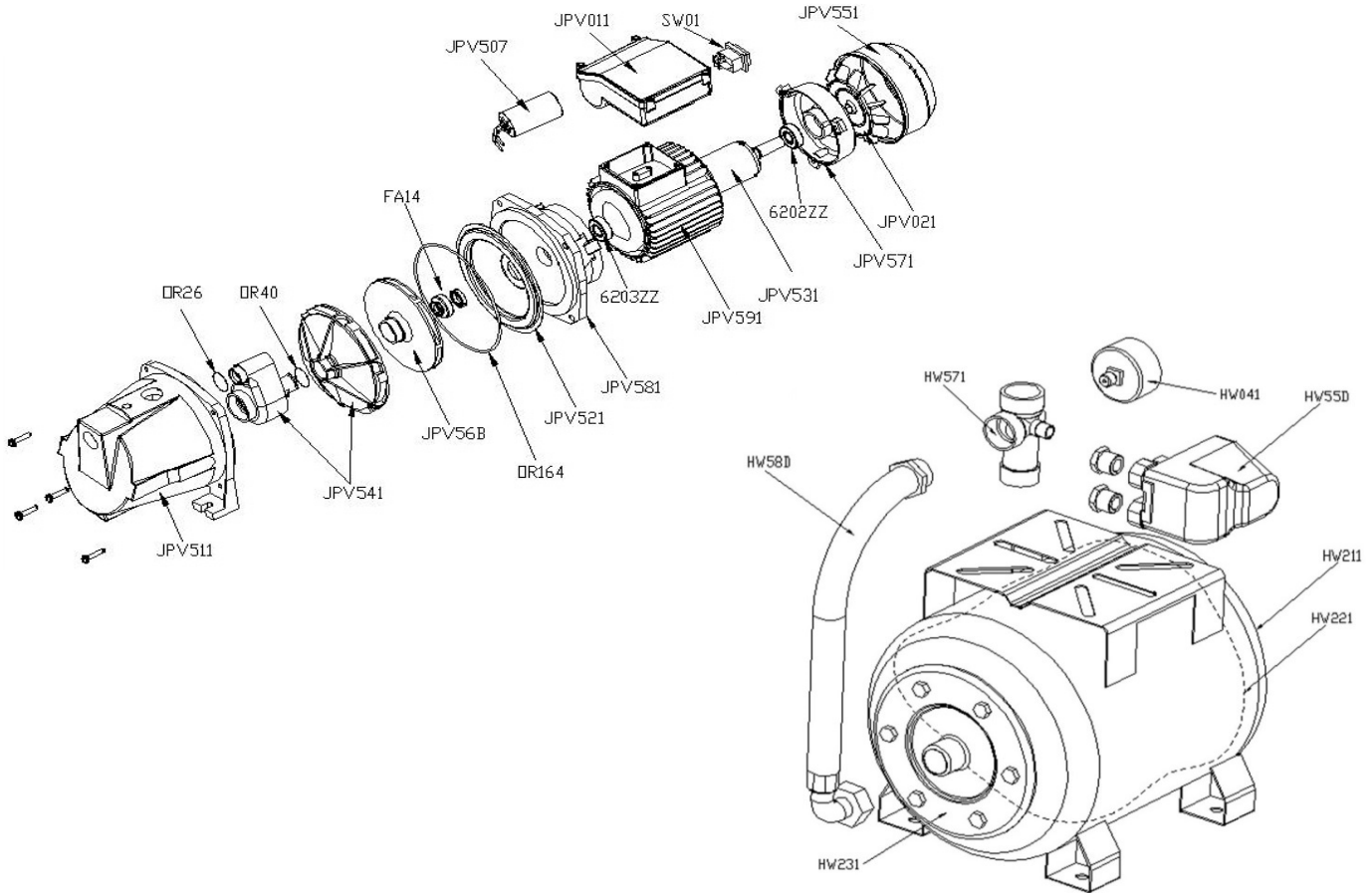


VB25/1500B



No	Code	Name	Qty	No	Code	Name	Qty
1	039301	Pump case	1	25	029864	Combined stator	1
2		Screw	1	26		Plug	1
3		„O” ring 8*2	1	27		Base	1
4		Screw	1	28	010771	Bearing	1
5		„O” ring 12*2	1	29		Corrugated washer	1
6		Screw	2	30	029972	Rear badge plate	1
7		Plastic cap	2	31		Screw	6
8		„O” ring 26*2	1	32	026023	Fan	1
9	029861	Diffuser	1	33		Rear badge plate	1
10		„O” ring 40*3,5	1	34		Screw	1
11	029862	Impeller	1	35		Fan	6
12		Screw nut	1	36		„O” ring 140*1,5	1
13		Washer	1	37	029868	Switch	1
14		Washer	1	38		Condenser	1
15		Key	1	39		Condenser fixing	1
16	026020	Axial gasket	1	40		Cable shoe	8
17		Back insert	1	41		Shrinkable tube	8
18	026021	„O” ring 164*3,5	1	42		Connection terminal	1
19		Diffuser	1	43		Screw nut	6
20	036501	Motor front badge plate	1	44		Washer	6
21		Screw	4	45		Screw	7
22		Washer	4	46		Washer	4
23	032679	Bearing	1	47		Washer	1
24	029865	Rotor	1	48		Washer	1

VB 25/1500B - parts that can be ordered

Serial no.	Description	Piece no.	Note	Picture
1	Pump case	1	Cast iron case, with 1" connections	
8	„O” ring 26*2	1	Sealing ring in the suction part of the injector	
9	Diffuser	1	Plastic component in the pump case, with anti-spinning piece	
10	„O” ring 40*3,5	1	Sealing ring between the injector and the anti-spinning piece	
11	Impeller	1	Ø 135 mm, 12-blade, closed plastic impeller. Blade height: 6.2 mm	
16	Axial gasket	1	Ceramic-insert gasket for the 14mm shaft	
17	Back insert	1	Pressed inox plate closing the hydraulics chamber	
18	„O” ring 164*3,5	1	Gasket between the pump case and the back insert	
20	Motor front badge plate	1	Motor badge plate on the drive side	
23	Bearing	1	Ball bearing	
24	Rotor	1	239 mm shaft length, with Ø54.4 mm, 96mm long iron core	
25	Combined stator	1	1500 W coil, with Ø 110 mm, 96mm long iron core, in finned aluminium housing	
28	Bearing	1	Ball bearing	
30	Rear badge plate	1	Aluminium badge plate on the side opposite to the drive	

VB 25/1500B - parts that can be ordered

Serial no.	Description	Piece no.	Note	Picture
32	Fan	1	Plastic fan impeller, on spliced shaft	
33	Rear badge plate	1	Cooling fan enclosure	
34	Screw	1	Plastic cabinet containing electric fittings	
37	Switch	1	16A/250V red switching key	
38	Condenser	1	25uF/400V condenser	
56	Tank	1	24-litre painted steel tank. Complete, with fittings.	
57	Rubber sack	1	EPDM rubber sack for the 24-litre tank.	
58	Joining flange	1	Steel front plate for the 24-litre tank, with 1" thread	
67	Manometer	1	6 bar manometer	
68	Baroswitch	1	Baroswitch with 1/4" thread, with plate gasket	
69	Bronze fitting piece	1	Fitting piece for the 1/4" HW55D baroswitch equipped with sealing plate	
70	Flexible tube	1	580 mm long flexible tube with 1" thread, 1" pipe union	