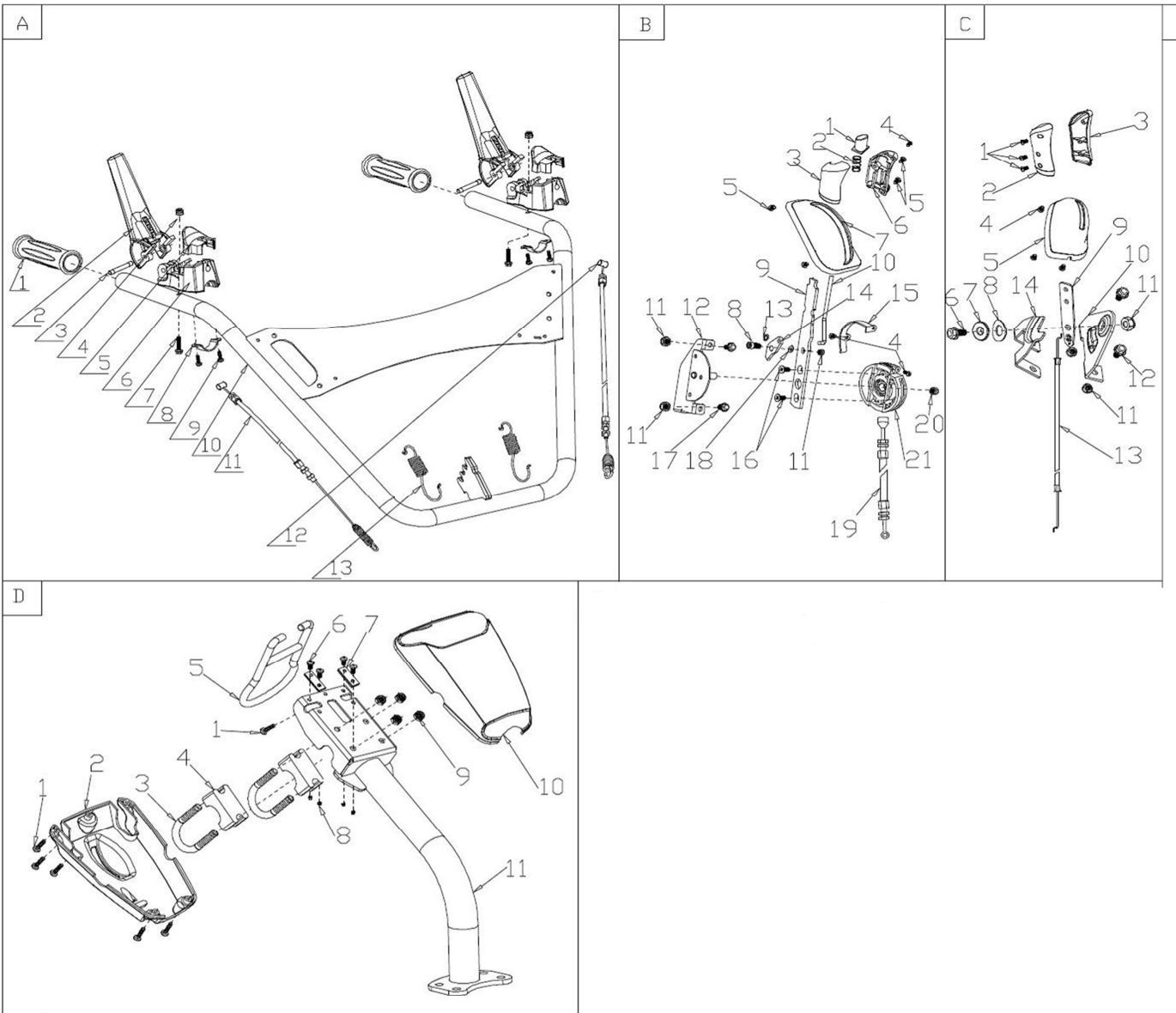
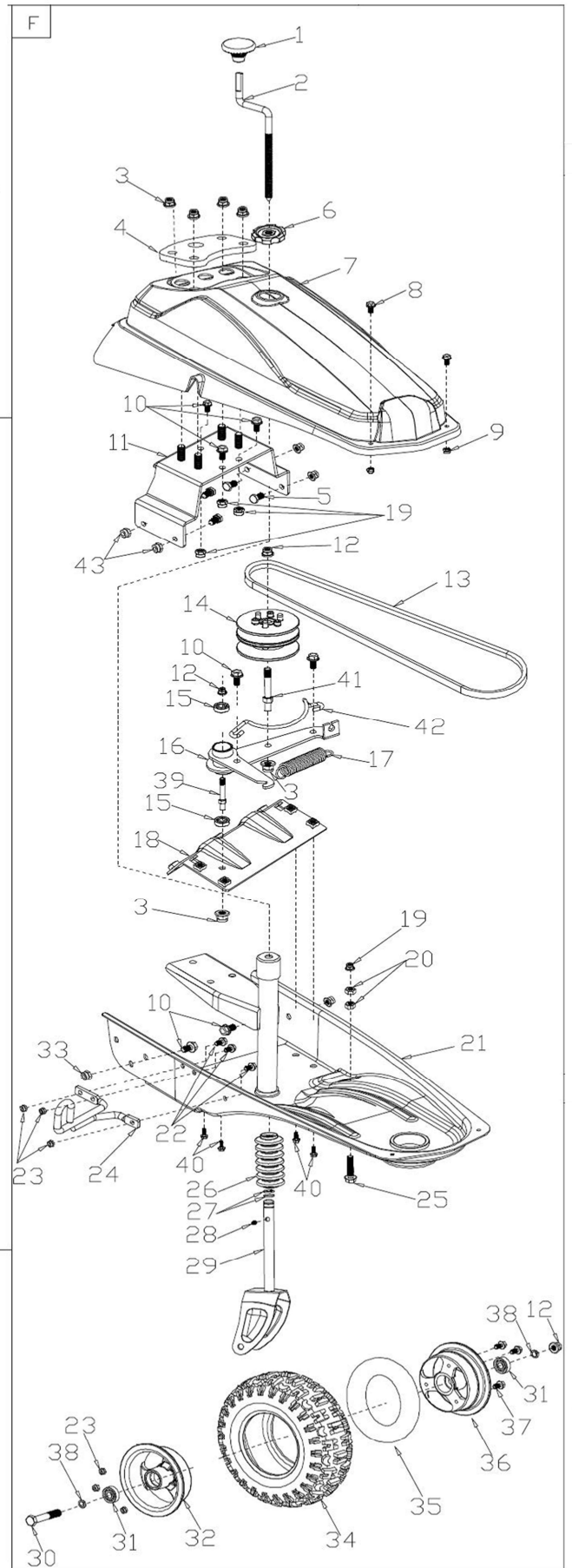
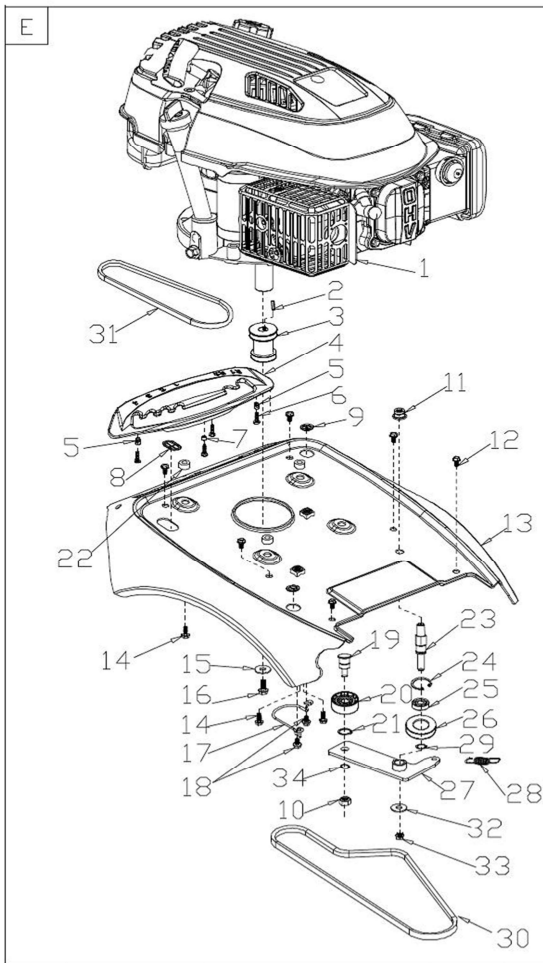


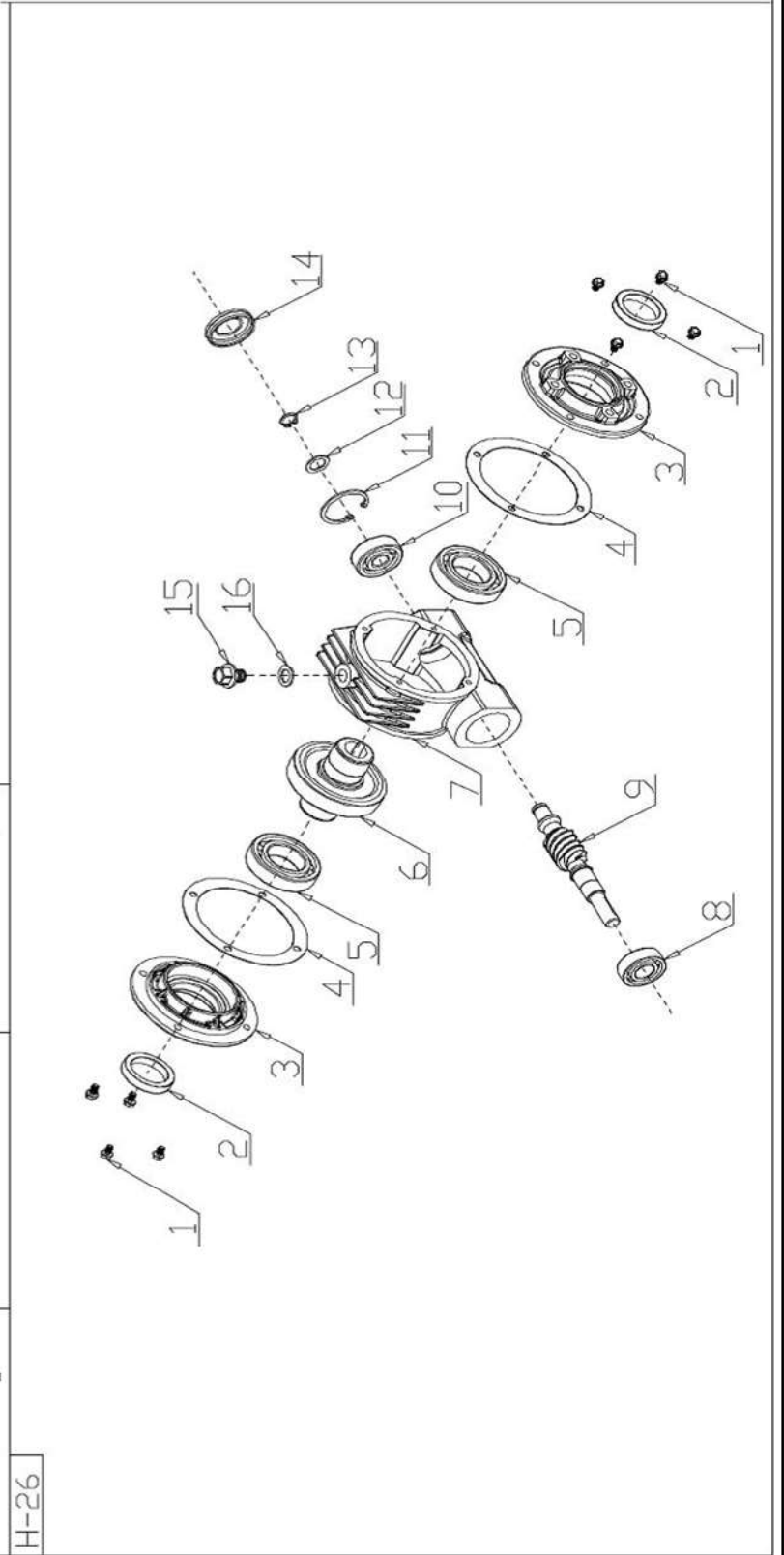
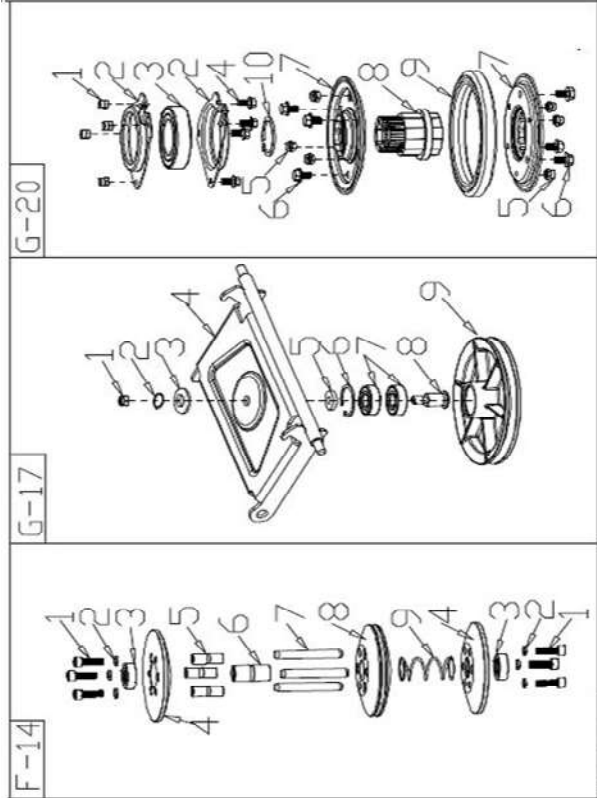
## VSS 100



## VSS 100

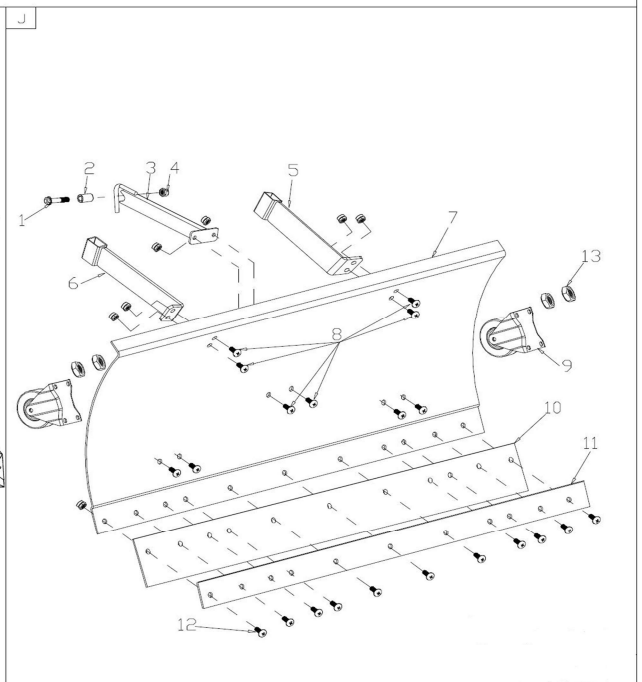
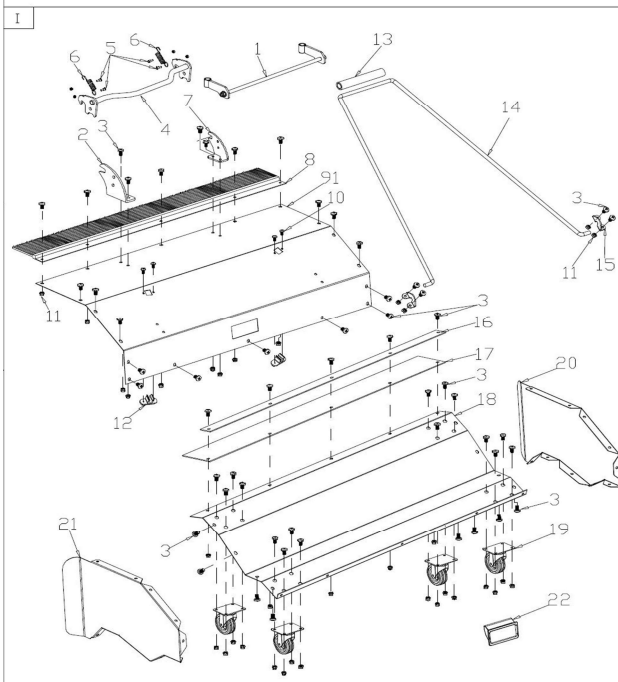
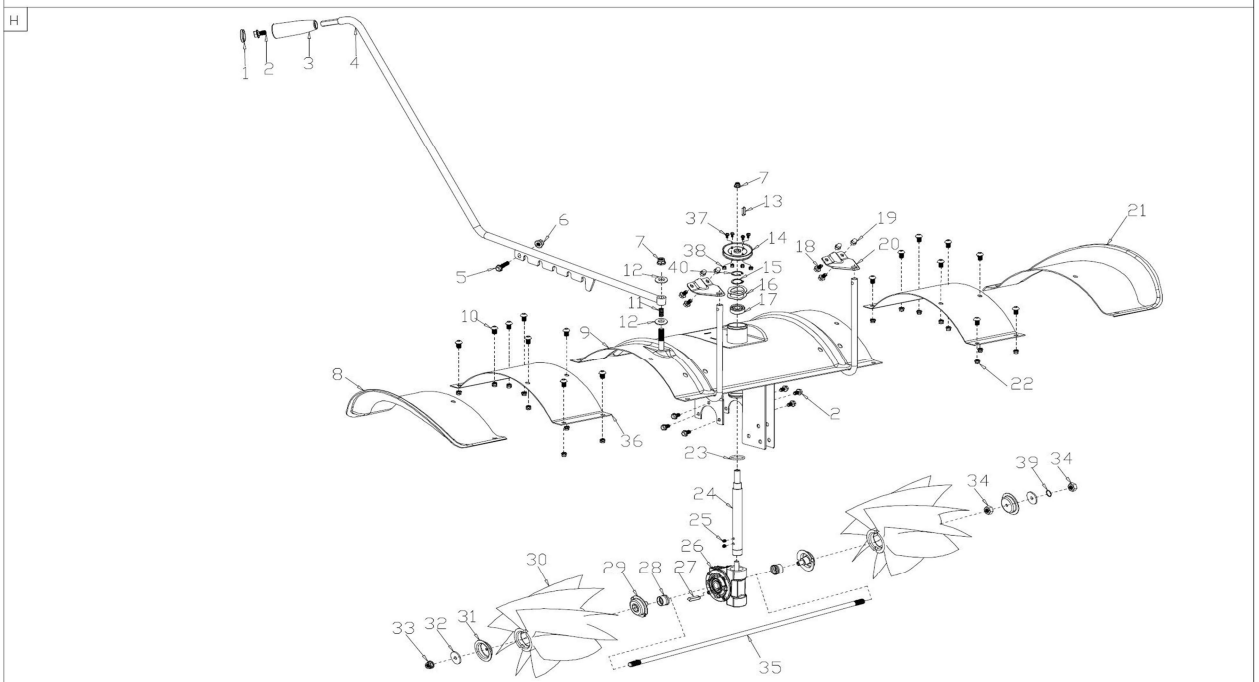
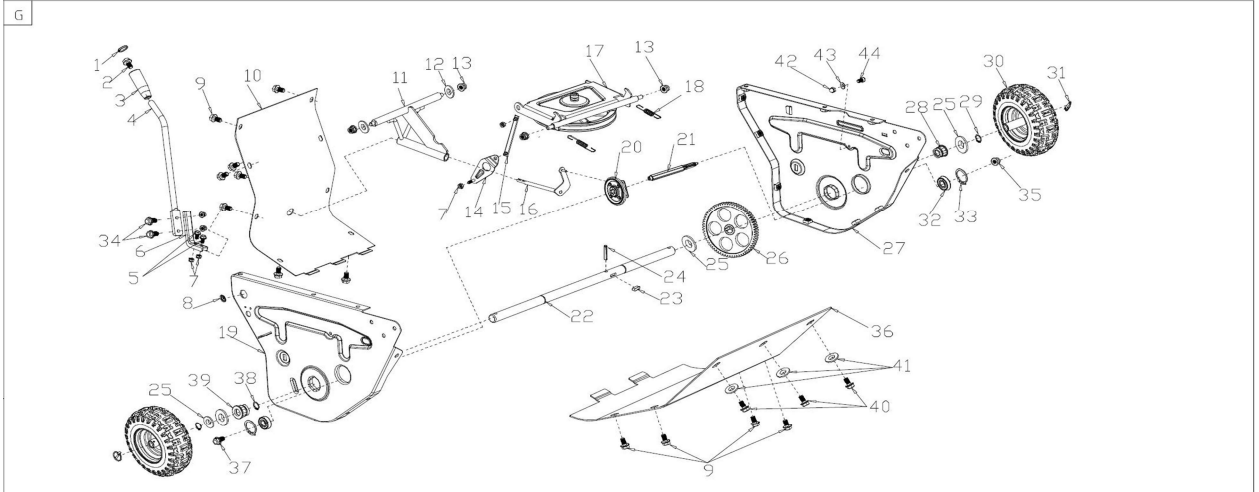


## VSS 100



H-26

## VSS 100





# EXPLODED PARTS LIST

Year: 2020

Page(s): 5/8

## VSS 100

No	Code	Name	Qty	No	Code	Name	Qty
Part A				C-11		Nut M6	
A-1		Handle Cover		C-12		Bolt M6x12	
A-2	64971	Clutch Handle		C-13	64977	Cable	
A-3		Pin		C-14		Gear Plate	
A-4		Nut M6		Part D			
A-5		Cable Holder		D-1		Screw ST4.2X15	
A-6	64972	Handle Base		D-2		Lower Cover	
A-7		Bolt M6x35		D-3		Bolt	
A-8		Fixing Plate		D-4		Position-limiting Base	
A-9		Screw ST4.2X15		D-5		Handle	
A-10		Upper Handle Assy		D-6		Bolt M5X12	
A-11	64973	Cable		D-7		Plate	
A-12	64974	Cable		D-8		Nut M5	
A-13		Spring		D-9		Nut M8	
Part B				D-10		Upper Cover	
B-1		Button		D-11		Lower Handle	
B-2		Spring		Part E			
B-3		Right Cover		E-1		Engine	
B-4		Screw ST2.9X9.5		E-2	64978	Flat Key	
B-5		Screw ST2.9X9.5		E-3	64979	Belt Wheel	
B-6		Left Cover		E-4		Gear Plate	
B-7		Right Cover		E-5		Bush	
B-8		Screw M6x14		E-6		Screw ST4.2X15	
B-9		Adjusted Speed Handle for Brush		E-7		Bush	
B-10		Pushrod		E-8		Sleeve	
B-11		Nut M6		E-9		Sleeve	
B-12		Gear Plate		E-10		Nut M10	
B-13		Washer		E-11		Nut M10	
B-14		pawl		E-12		Bolt M6x12	
B-15		Cable Guard		E-13		Engine Fixed Plate	
B-16		Screw ST4.2X13		E-14		Bolt M8X35	
B-17		Bolt M6x12		E-15		Washer $\phi 10.5 \times \phi 30 \times 4$	
B-18		Stud bolt		E-16		Bolt	
B-19	64975	Cable		E-17		Belt Guard Frame	
B-20		Nut M10		E-18		Bolt M6X14	
B-21	64976	Cable Pulley		E-19		Bolt	
B-22		Washer		E-20	64980	Belt Tensioner	
Part C				E-21		Lock Ring	
C-1		Screw ST2.9X9.5		E-22		Brush	
C-2		Right Cover		E-23		Bolt	
C-3		Left Cover		E-24		Washer	
C-4		Screw ST2.9X9.5		E-25		Bearing	
C-5		Left Cover		E-26	64981	Idle Pulley	
C-6		Bolt M6X14		E-27		Swing Arm	
C-7		Bush		E-28		Spring	
C-8		Washer		E-29		Lock Ring	
C-9		Governor Rod		E-30	64982	Belt	
C-10		Gear Plate		E-31	64983	Belt	





# EXPLODED PARTS LIST

Year: 2020

Page(s): 6/8

## VSS 100

No	Code	Name	Qty	No	Code	Name	Qty
E-32		Washer		F-36		Wheel Hub	
E-33		Nut M6		F-37		Bolt M6X22	
E-34		Washer φ10		F-38		Washer φ10.5Xφ30X4	
Part F				F-39		Stud bolt	
F-1		Adjusted Height Handle		F-40		Bolt M6x12	
F-2	64984	Adjusted Height Rod		F-41		Stud bolt	
F-3		Nut M10		F-42		Belt Guard Frame	
F-4		Shock pad		Part G			
F-5		Bolt M8X20		G-1		Handle Cover	
F-6		Knob		G-2		Bolt M6x10	
F-7	64985	Belt Cover		G-3		Handle	
F-8		Bolt M5X12		G-4		Shift Lever	
F-9		Nut M5		G-5		Bolt M6x16	
F-10		Bolt M8X15		G-6		Plate	
F-11		Base		G-7		Nut M6	
F-12		Nut M10		G-8		Sleeve	
F-13	64986	Belt Li13*1067		G-9		Bolt M6x12	
F-14	64987	Variable speed pulley Assy		G-10		Rear Cover	
F-14-1		Screw M6x22		G-11		Holder	
F-14-2		Spring Washer		G-12		Washer	
F-14-3		Ball Bearing		G-13		Nut M8	
F-14-4		Belt Wheel		G-14		Connecting Plate	
F-14-5		Small Guide Bush		G-15		Pull Rod	
F-14-6		Big Guide Bush		G-16		Yoke bar	
F-14-7		guide pillar		G-17	64994	Friction Disk Assy	
F-14-8		pulley		G-17-1		Nut M10	
F-14-9		Spring		G-17-2		Washer φ10	
F-15		Ball Bearing		G-17-3		Washer φ10.5Xφ20X2	
F-16		Plate		G-17-4		Fixed Plate	
F-17	64988	Spring		G-17-5		Washer	
F-18		Fixed Plate		G-17-6		Lock Ring	
F-19		Nut M8		G-17-7		Ball Bearing	
F-20		Nut M8		G-17-8		Bolt	
F-21	64989	chassis assembly		G-17-9		Friction Disk	
F-22		Bolt M6X14		G-18		Spring	
F-23		Nut M6		G-19		Right Cover	
F-24		Holder		G-20	64995	Friction Wheel Assy	
F-25		Bolt M8X40		G-20-1		Nut M5	
F-26	64990	Dirt-proof Boot		G-20-2		drive plate	
F-27		Lock Ring		G-20-3		Ball Bearing	
F-28		Spring		G-20-4		Bolt M5X12	
F-29	64991	Front Wheel Fixed Frame		G-20-5		Nut M6	
F-30		Bolt M10X90		G-20-6		Bolt M6x12	
F-31		Ball Bearing		G-20-7		Fixed Disk	
F-32		Wheel Hub		G-20-8		Sleeve	
F-33		Nut M8		G-20-9		Friction Wheel	
F-34	64992	Tyre		G-20-10		Lock Ring	
F-35	64993	Inner Tube		G-21	64996	Gear	



# EXPLODED PARTS LIST

Year: 2020

Page(s): 7/8

## VSS 100

No	Code	Name	Qty	No	Code	Name	Qty
G-22	64997	Drive Shaft		H-25		Screw M5X8	
G-23		Flat Key		H-26	65004	Gearbox	
G-24		Pin		H-26-1		Bolt M5X12	
G-25		Washer $\phi 19.2 \times \phi 28 \times 1.2$		H-26-2		Oil seal	
G-26	64998	Gear		H-26-3		Gearbox Cover	
G-27		Left Cover		H-26-4		Gasket	
G-28		Left sleeve		H-26-5		Ball Bearing	
G-29		Lock Ring		H-26-6		Worm gear	
G-30	64999	13" Tyre		H-26-7		Gearbox Base	
G-31		Pin		H-26-8		Ball Bearing	
G-32		Bearing		H-26-9		Worm	
G-33		Lock Ring		H-26-10		Ball Bearing	
G-34		Bolt M6x22		H-26-11		Lock Ring	
G-35		Nut M10		H-26-12		Washer $\phi 12.5 \times \phi 26 \times 1.2$	
G-36		Front Cover		H-26-13		Lock Ring	
G-37		Bolt M10X15		H-26-14		End cover	
G-38		Lock Ring		H-26-15		Bolt M10X1.25X12	
G-39		Right sleeve		H-26-16		Washer $\phi 10 \times \phi 16 \times 1.5$	
G-40		Bolt M6X14		H-27		Flat Key	
G-41		Washer		H-28		Sleeve	
G-42		Nut M6		H-29		platen	
G-43		Washer $\phi 10.5 \times \phi 30 \times 4$		H-30	65005	Brush	
G-44		Bolt M6x10		H-31		platen	
Part H				H-32		Washer	
H-1		Handle Cover		H-33		Nut M10	
H-2		Bolt M6x10		H-34		Nut M10	
H-3		Handle		H-35	65006	Screw	
H-4		Steering Lever		H-36		Cover	
H-5		Bolt M6X22		H-37		Bolt M5X12	
H-6		Nut M6		H-38		Nut M5	
H-7		Nut M10		H-39		Washer $\phi 10$	
H-8	65000	Right Cover		H-40		Lock Ring	
H-9		Brush Guard		Part I			
H-10		Screw M8x12		I-1		Hanger	
H-11		Spring		I-2		Right Holder	
H-12		Washer $\phi 10.5 \times \phi 30 \times 4$		I-3		Screw	
H-13		Flat Key		I-4		Hook	
H-14	65001	Belt Wheel		I-5		Bolt	
H-15		Lock Ring		I-6		Spring	
H-16		Washer		I-7		Left Holder	
H-17		Ball Bearing		I-8	65007	Brush	
H-18		Bolt M6x12		I-9		Upper Cover	
H-19		Nut M6		I-10		Screw ST2.9X9.5	
H-20		Plate		I-11		Nut M6	
H-21	65002	Left Cover		I-12		Pull Rod Holder	
H-22		Nut M8		I-13		Foamed Pipe	
H-23		Ring		I-14		Pull Rod	
H-24	65003	Shaft		I-15		Fixed Plate	

