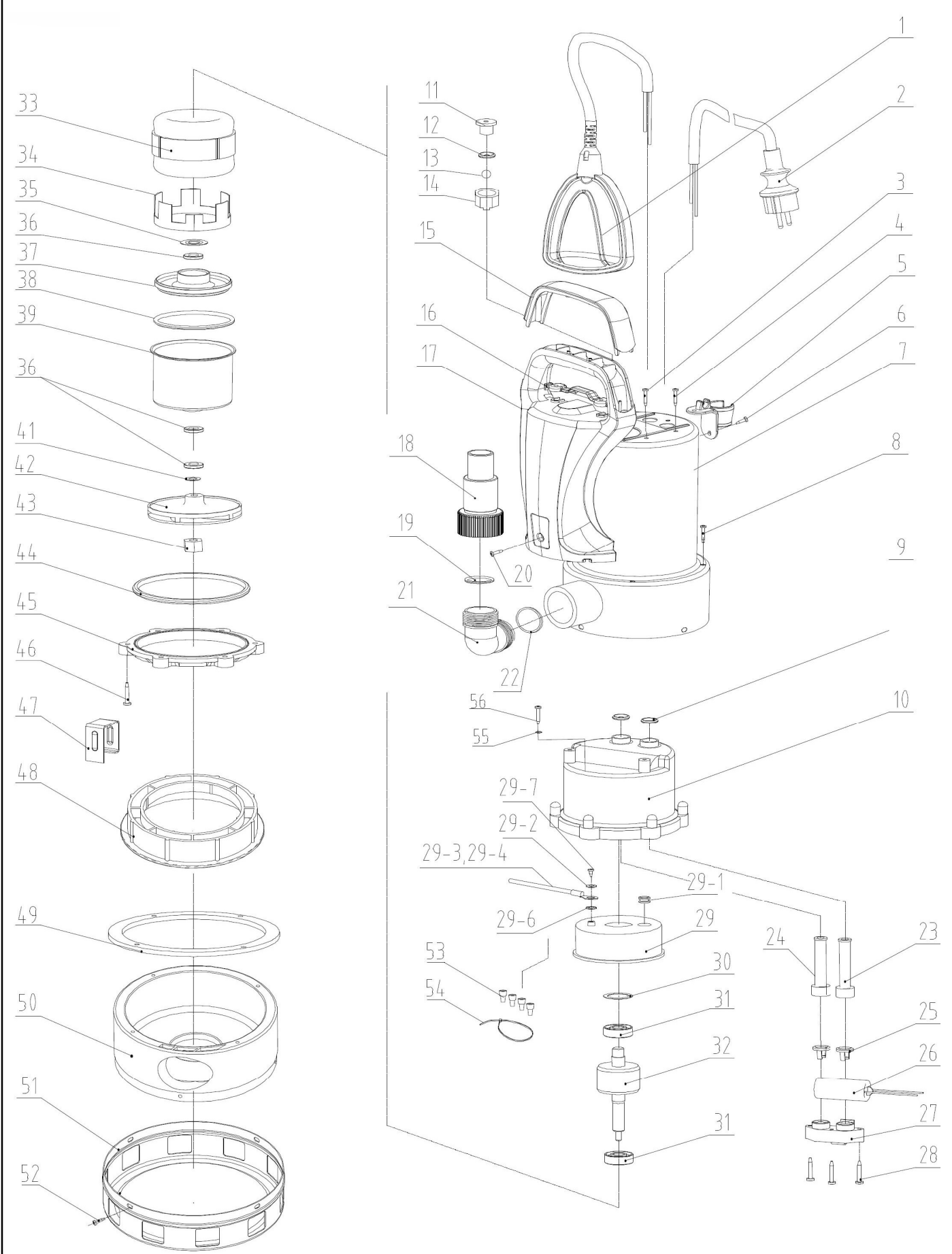


## VSP 18000I





# EXPLODED PARTS LIST

Year: 2021

Page(s): 2/2

## VSP 18000I

No	Code	Name	Qty	No	Code	Name	Qty
1	42574	floating switch	1	42	42581	impeller	1
2	53935	Power cord	1	43	59587	nut	1
3		self tapping screw	2	44	29696	O ring	1
4		self tapping screw	3	45	42582	pressing ring	1
5		cable clamp	1	46		self tapping screw	6
6		screw	1	47		ground earthing piece	1
7	42575	pump body	1	48		ground earthing	1
8		self tapping screw	4	49		seal gasket	1
9		O ring	2	50	42584	inner base	1
10	42576	rear pump cover	1	51	42585	base	1
11		air outlet hole	1	52		self tapping screw	4
11-1		seal ring	1	53		nylon safety wire connector	2
12		O ring	1	53		nylon safety wire connector	3
13		steel ball	1	54		ribbon	1
14		nut of air outlet hole	1	55		O ring	1
15		handle cover	1	56		custom self tapping screw	1
16		lock block	1				
17	42577	handle	1				
18	32337	output connector	1				
19	32335	O ring	1				
20		screw	1				
21	32336	elbow	1				
22	32335	O ring	1				
23	32305	cable sheath	2				
24	32305	cable sheath	2				
25	32272	cable pressing buckle	2				
26	53934	16uF P2 capacitor	1				
27	32306	cable pressing block	1				
28		custom self tapping screw	3				
29	32307	rear cover	1				
29-1	29687	wire sheath	1				
29-2	29688	gasket	1				
29-3		yellow green wire	1				
29-4	32274	lug plate	1				
29-6		gasket	1				
29-7		screw	1				
30	29701	corrugated gasket	1				
31	13801	bearing	2				
32	42578	rotor	1				
33	42579	stator	1				
	65853	stator assembled in shell	1				
34	32330	lining ring	1				
35	29691	lug plate	1				
36	32278	skeleton seal ring	3				
37	29693	alu bush	1				
38	29694	O ring	1				
39	42580	front cover	1				
41	53940	adjustable gasket	1				