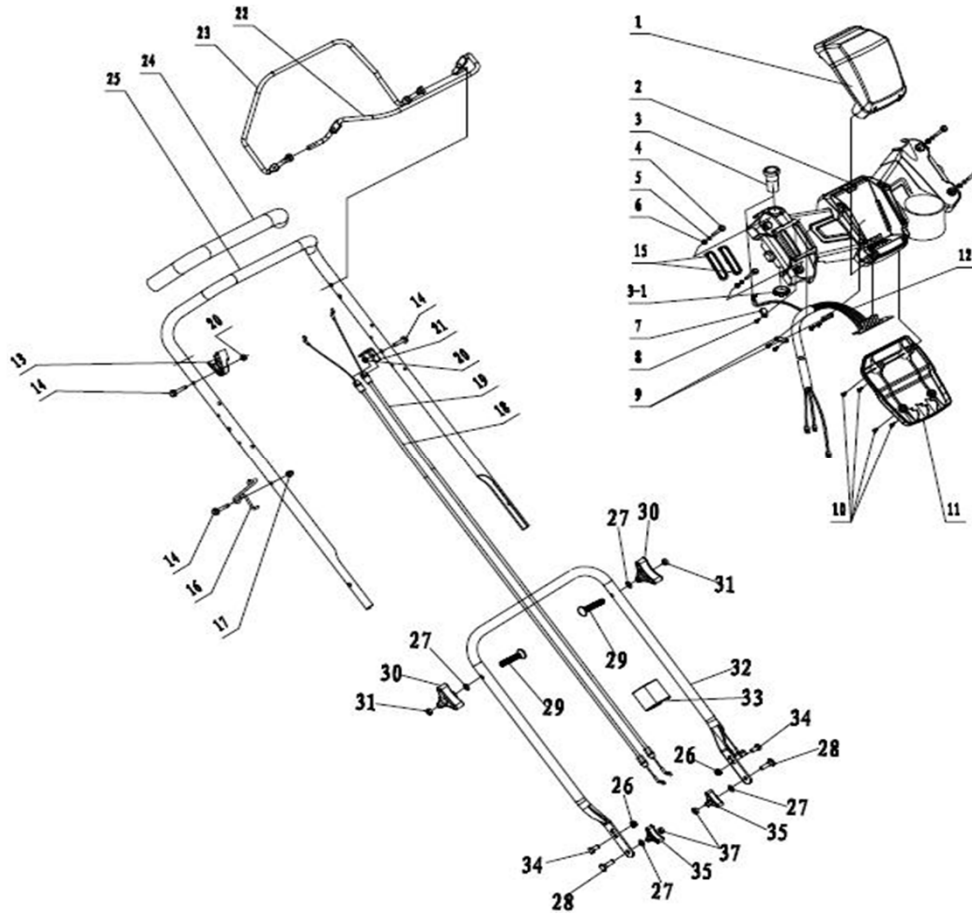
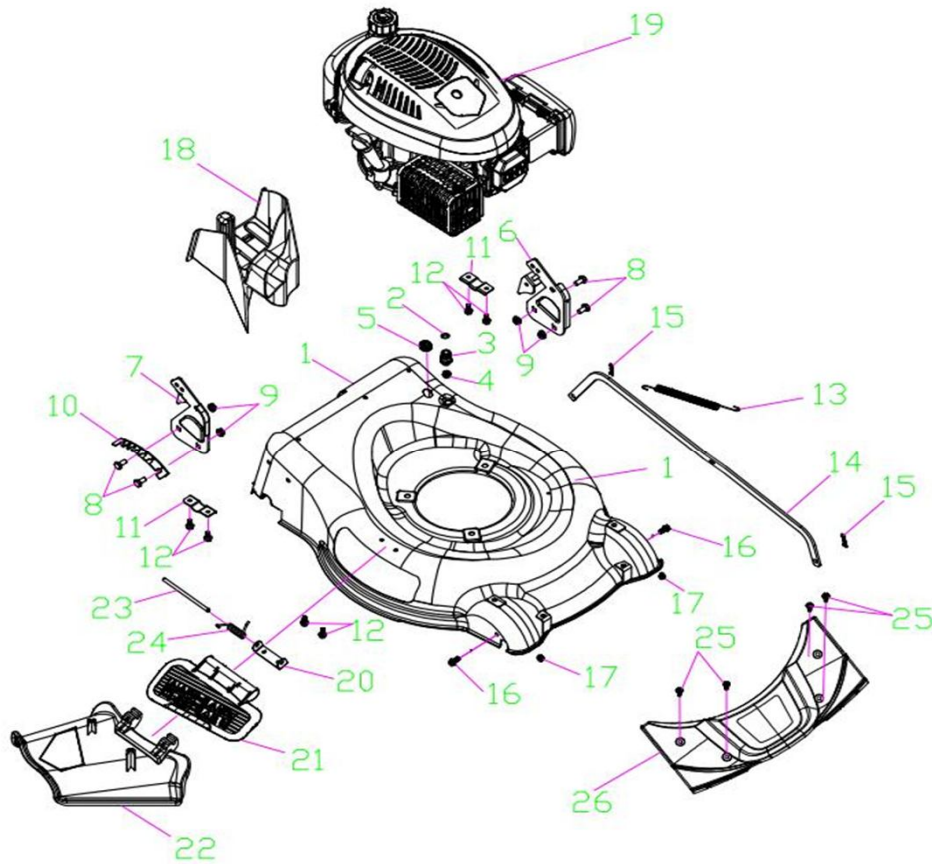


VRS 51 TE



| No | Code | Name | Qty | No | Code | Name | Qty |
|----|--------|---------------------------------------|-----|----|--------|-----------------------------------|-----|
| 1 | 048381 | transparency cover | 1 | 25 | 048390 | upper handrail | 1 |
| 2 | | handle panel | 1 | 26 | | Hex lock nut | 2 |
| 3 | 048383 | E-start Switch | 1 | 27 | | flat washer | 4 |
| 4 | | Hex flange bolts M5*30 | 1 | 28 | | Half round head square neck bolts | 2 |
| 5 | | flat washer | 1 | 29 | | heterotypic carriage bolts | 2 |
| 6 | | Self-locking nut | 1 | 30 | 048391 | triangle knob | 2 |
| 7 | | R-clip | 4 | 31 | | Hexagon nut | 2 |
| 8 | | Phillips flat head self tapping screw | 4 | 32 | 048392 | lower handrail | 1 |
| 9 | | crimp plate | 1 | 33 | | fastener clip | 1 |
| 10 | | Phillips flat head self tapping screw | 1 | 34 | | Hexagon head bolts | 2 |
| 11 | 048384 | panel lower cover | 1 | 35 | 048393 | triangle knob | 2 |
| 12 | 048385 | wiring board Assy. | 1 | 37 | | Hexagon nut | 2 |
| 13 | 048386 | Plastic stopper | 1 | | | | |
| 14 | | Hex flange bolts M5*30 | 3 | | | | |
| 15 | 048387 | Adjustment cover plate | 1 | | | | |
| 16 | | Hang buckle | 1 | | | | |
| 17 | | Cap nut | 1 | | | | |
| 18 | 037218 | brake cable | 1 | | | | |
| 19 | | selfpropelled cable | 1 | | | | |
| 20 | | Self-locking nut | 2 | | | | |
| 21 | 037157 | Brake Cable Assy plate | 1 | | | | |
| 22 | 040444 | stop lever | 1 | | | | |
| 23 | 048388 | Self-propelled Lever | 1 | | | | |
| 24 | 048389 | foam pipe | 1 | | | | |

VRS 51 TE



| No | Code | Name | Qty | No | Code | Name | Qty |
|----|--------|-----------------------------|-----|----|--------|---------------------------------------|-----|
| 1 | 048394 | deck welding assy. | 1 | 25 | | Phillips flat head self tapping screw | 4 |
| 2 | | "O" ring | 1 | 26 | 040453 | front mask | 1 |
| 3 | | inlet | 1 | | | | |
| 4 | | Outlet Pipe | 1 | | | | |
| 5 | | cable stopper | 1 | | | | |
| 6 | | left handle bracket | 1 | | | | |
| 7 | | left handle bracket | 1 | | | | |
| 8 | | Hexagon head bolts | 4 | | | | |
| 9 | | Hex lock nut | 4 | | | | |
| 10 | 040448 | height adjustment board | 1 | | | | |
| 11 | | rear drive bracket | 2 | | | | |
| 12 | | Hex tapping screws | 6 | | | | |
| 13 | 037169 | Pull Spring for Pull Rod | 1 | | | | |
| 14 | 040449 | Height Adjustment Pull Rod | 1 | | | | |
| 15 | | R type pin | 2 | | | | |
| 16 | | Bolt | 2 | | | | |
| 17 | | Self-locking nut | 2 | | | | |
| 18 | 040450 | mulching plug | 1 | | | | |
| 19 | | petrol engine | 1 | | | | |
| 20 | | Bracket plate for defelctor | 1 | | | | |
| 21 | 040451 | mulching board | 1 | | | | |
| 22 | 040452 | side discharge cover | 1 | | | | |
| 23 | | Mulch Shaft | 1 | | | | |
| 24 | 048396 | mulch board spring | 1 | | | | |














EXPLODED PARTS LIST

Year: 2017

Page(s): 8/8

VRS 51 TE

| | | | |
|----|--------|----------------------|---|
| 1 | 037214 | Blade Adapter Assy |  |
| 2 | 040467 | blade |  |
| 3 | 047654 | wheel assy. |  |
| 4 | 048400 | outer cover of hub |  |
| 5 | 047655 | wheel assy. |  |
| 6 | 048397 | outer cover of hub |  |
| 7 | 040468 | belt cover |  |
| 8 | 037174 | v belt |  |
| 9 | 048391 | triangle knob |  |
| 10 | 040451 | mulching board |  |
| 11 | 040452 | side discharge cover |  |

QUICK WEAR PARTS