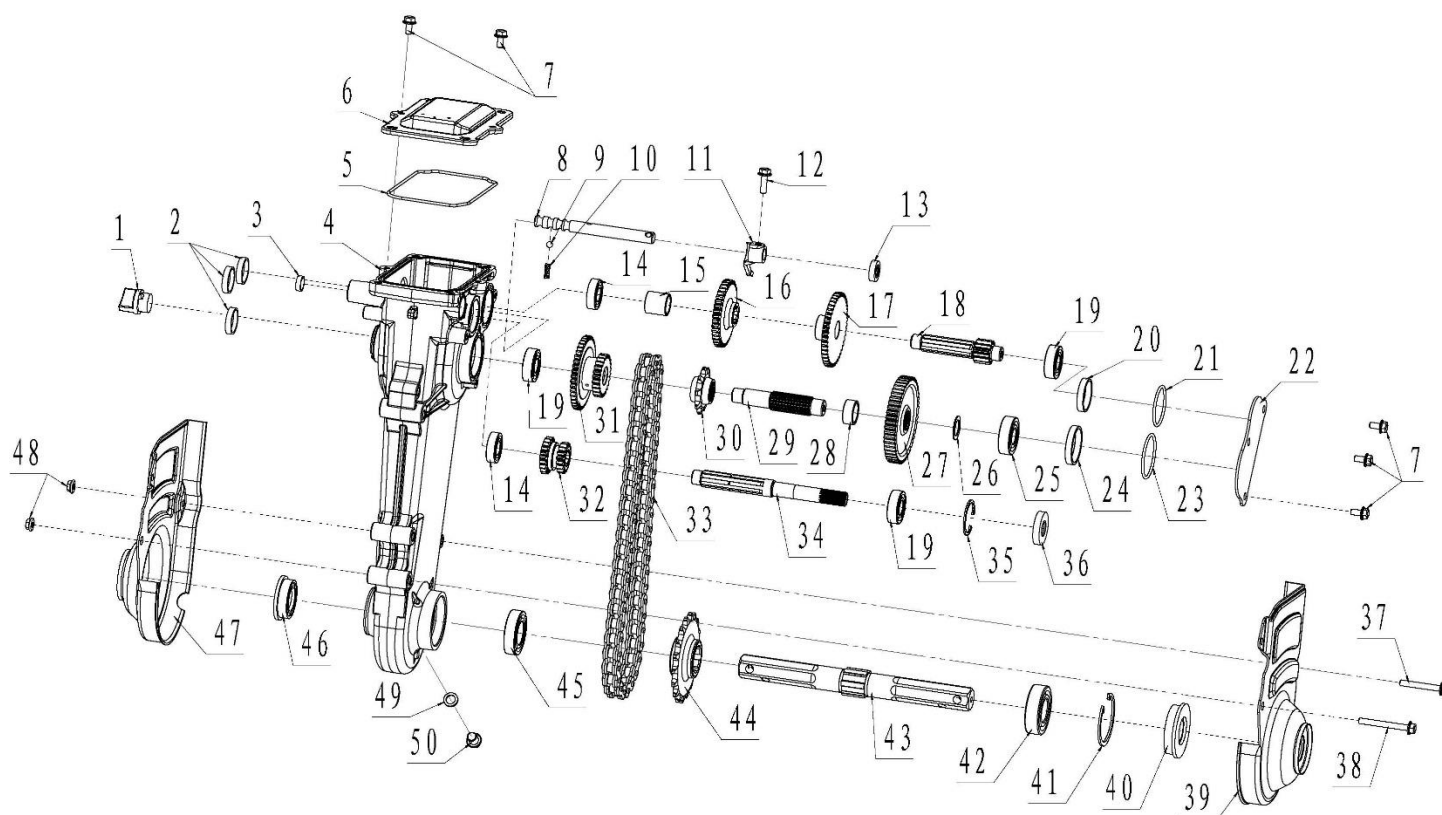


## Documentatie tehnica motosapa Dac 7000k

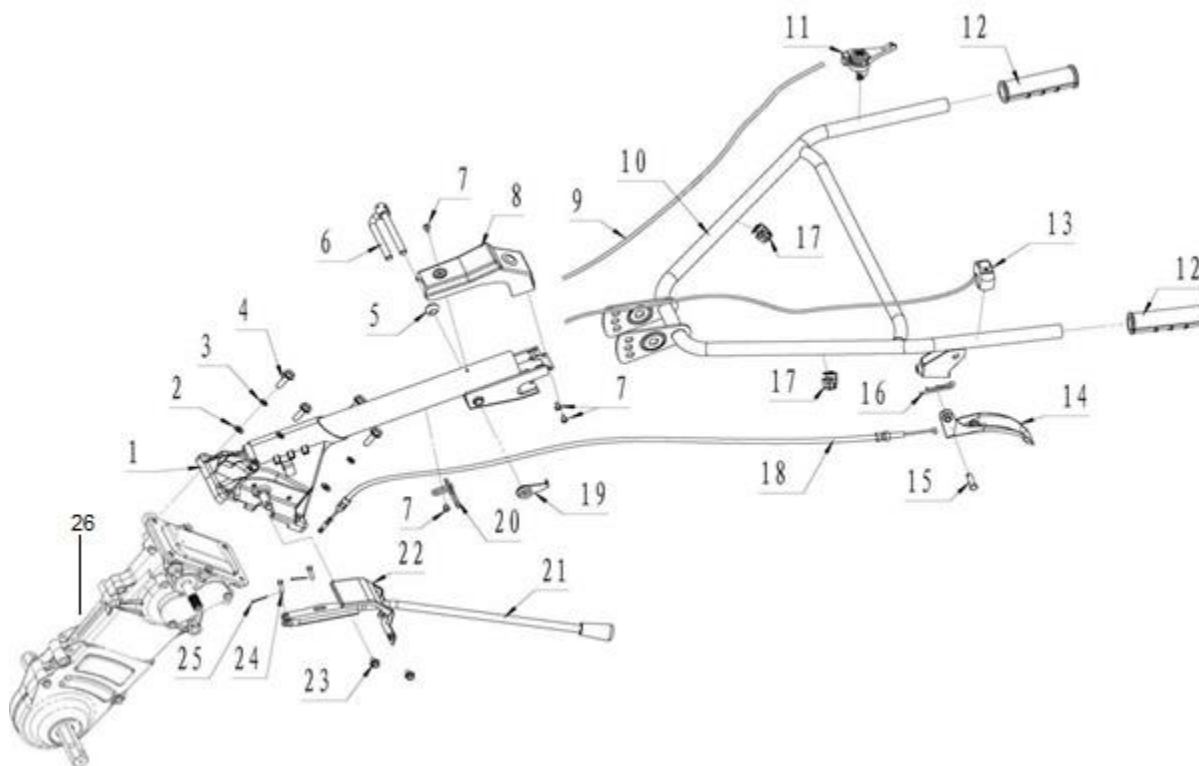


| Nr.crt | Denumire produs      | Product name               | Cod comanda  |
|--------|----------------------|----------------------------|--------------|
| 1      | dop ulei             | oil hole plug              | ps6500k-1-1  |
| 2      | simering a           | oil plug a                 | ps6500k-1-2  |
| 3      | simering b           | oil plug b                 | ps6500k-1-3  |
| 4      | carcasa reductor     | gear box                   | ps6500k-1-4  |
| 5      | garnitura superioara | seal ring of top cover     | ps6500k-1-5  |
| 6      | capac cutie viteze   | top cover comp of gear box | ps6500k-1-6  |
| 7      | surub m6X12          | bolt m6×12                 | ps6500k-1-7  |
| 8      | ax indexor           | shift fork shaft           | ps6500k-1-8  |
| 9      | bila de otel         | steel ball $\Phi 6.35$     | ps6500k-1-9  |
| 10     | arc                  | spring                     | ps6500k-1-10 |
| 11     | indexor              | shift fork                 | ps6500k-1-11 |
| 12     | surub m6x20          | bolt m6×20                 | ps6500k-1-12 |
| 13     | simering 12x22x6     | oil seal 12×22×6           | ps6500k-1-13 |
| 14     | rulment 6002         | bearing 6002               | ps6500k-1-14 |
| 15     | bucsa f1             | bush f1                    | ps6500k-1-15 |
| 16     | roata transmisie 2   | the 2nd driven gear        | ps6500k-1-16 |

## Producător motoutilaje

## Documentatie tehnică

|    |                        |                        |              |
|----|------------------------|------------------------|--------------|
| 17 | roata transmisie 1     | the 1st driven gear    | ps6500k-1-17 |
| 18 | ax canelat             | counter shaft          | ps6500k-1-18 |
| 19 | rulment 6203           | bearing 6203           | ps6500k-1-19 |
| 20 | bucsa c                | bush c                 | ps6500k-1-20 |
| 21 | oring 39x2.6           | o-ring39×2.6           | ps6500k-1-21 |
| 22 | capac                  | oil stopper            | ps6500k-1-22 |
| 23 | oring 43.5x2.6         | o-ring43.5×2.6         | ps6500k-1-23 |
| 24 | bucsa d                | bush d                 | ps6500k-1-24 |
| 25 | rulment 6203           | bearing 6203           | ps6500k-1-25 |
| 26 | saiba                  | backup plate           | ps6500k-1-26 |
| 27 | roata dintata          | driving gear           | ps6500k-1-27 |
| 28 | bucsa i                | bush i                 | ps6500k-1-28 |
| 29 | ax canelat             | driving sprocket shaft | ps6500k-1-29 |
| 30 | roata dintata          | driving sprocket       | ps6500k-1-30 |
| 31 | roata mers inapoi      | double toothed wheel   | ps6500k-1-31 |
| 32 | roata baladoare        | double toothed wheel   | ps6500k-1-32 |
| 33 | lant                   | chain (50 joints)      | ps6500k-1-33 |
| 34 | ax principal           | main shaft             | ps6500k-1-34 |
| 35 | zegher                 | circlip 35             | ps6500k-1-35 |
| 36 | simering 16x35x7       | oil seal 16×35×7       | ps6500k-1-36 |
| 37 | surub m6x45            | bolt m6×45             | ps6500k-1-37 |
| 38 | surub m6x55            | bolt m6×55             | ps6500k-1-38 |
| 39 | capac reductor stanga  | gear box left cover    | ps6500k-1-39 |
| 40 | simering               | oil seal a             | ps6500k-1-40 |
| 41 | zegher                 | circlip 52             | ps6500k-1-41 |
| 42 | rulment 6205           | bearing 6205           | ps6500k-1-42 |
| 43 | ax canelat             | driven sprocket shaft  | ps6500k-1-43 |
| 44 | roata lant             | driven sprocket        | ps6500k-1-44 |
| 45 | rulment 6205           | bearing 6205           | ps6500k-1-45 |
| 46 | simering               | oil seal b             | ps6500k-1-46 |
| 47 | capac reductor derapta | gear box right cover   | ps6500k-1-47 |
| 48 | piulita m6             | nut m6                 | ps6500k-1-48 |
| 49 | saiba 10x16x2          | washer 10×16×2         | ps6500k-1-49 |
| 50 | surub m10x1.25.12      | bolt m10×1.25×12       | ps6500k-1-50 |

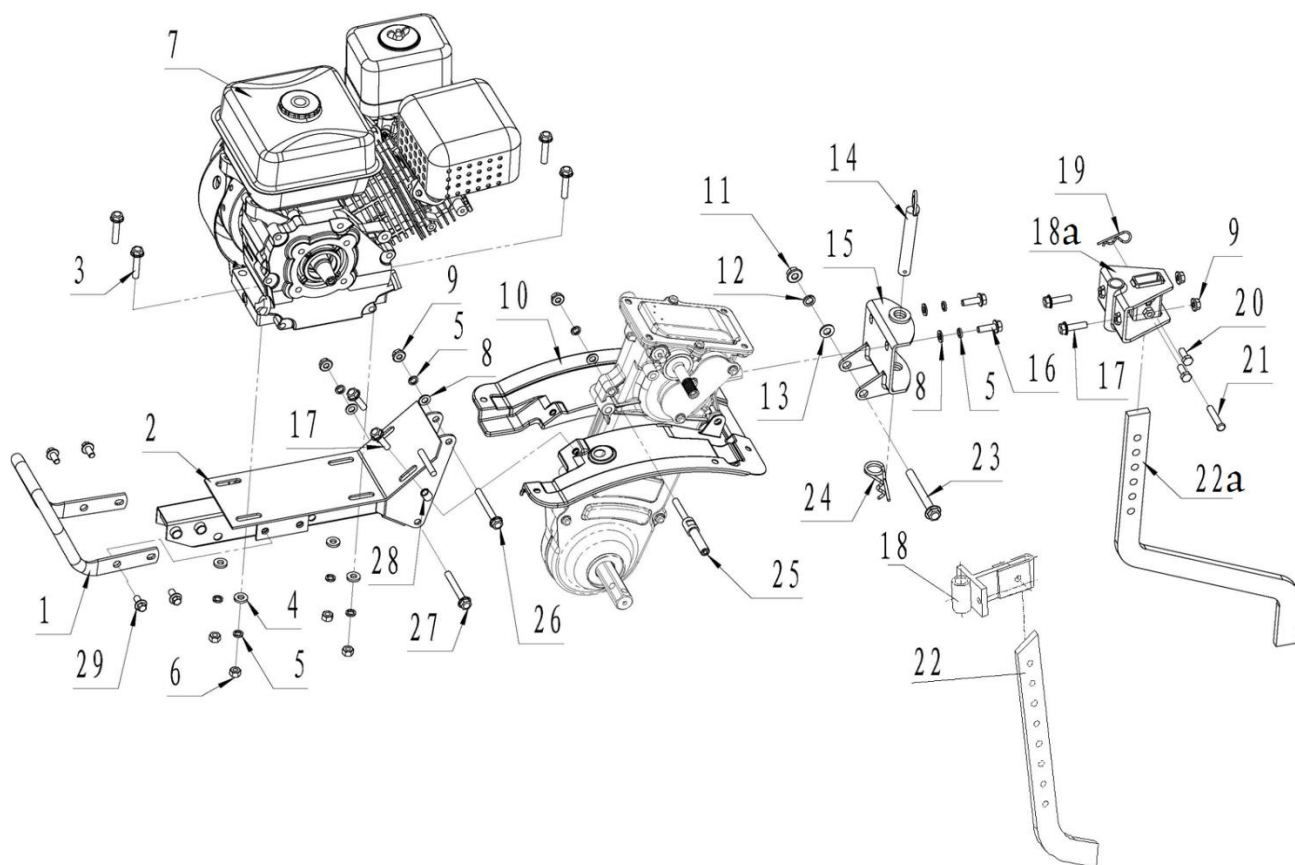


| Nr. Crt | Denumire produs            | Product name          | Cod comanda  |
|---------|----------------------------|-----------------------|--------------|
| 1       | legatura suport            | standing ipe jointing | ps6500k-2-1  |
| 2       | saiba                      | flat washer 8         | ps6500k-2-2  |
| 3       | grower                     | spring washer 8       | ps6500k-2-3  |
| 4       | surub m8x25                | bolt m8x25            | ps6500k-2-4  |
| 5       | bucsa                      | wimble bush           | ps6500k-2-5  |
| 6       | grup reglare coarne        | handle adjuster comp  | ps6500k-2-6  |
| 7       | surub                      | screw st4.8x12        | ps6500k-2-7  |
| 8       | ornament                   | inlet cover           | ps6500k-2-8  |
| 9       | ansamblu cablu acceleratie | throttle cable comp   | ps6500k-2-9  |
| 10      | suport coarne              | handle comp           | ps6500k-2-10 |
| 11      | maneta acceleratie         | throttle handlebar    | ps6500k-2-11 |
| 12      | maner corn                 | grip                  | ps6500k-2-12 |
| 13      | ansamblu motor-stop        | shut down switch comp | ps6500k-2-13 |
| 14      | maneta ambreiaj            | clutch handle         | ps6500k-2-14 |
| 15      | agrafa 8x28                | pin 8x28              | ps6500k-2-15 |
| 16      | agrafa f                   | clip f                | ps6500k-2-16 |
| 17      | clema                      | clipφ22               | ps6500k-2-17 |
| 18      | cablu ambreiaj             | clutch cable          | ps6500k-2-18 |

## Producător motoutilaje

## Documentatie tehnică

|    |                          |                               |              |
|----|--------------------------|-------------------------------|--------------|
| 19 | suport                   | stand comp                    | ps6500k-2-19 |
| 20 | bucla                    | loop                          | ps6500k-2-20 |
| 21 | maneta schimbator        | shift lever                   | ps6500k-2-21 |
| 22 | suport maneta schimbator | gear position indication stan | ps6500k-2-22 |
| 23 | surub m6x10              | bolt m6x10                    | ps6500k-2-23 |
| 24 | bolt                     | pin sx 25                     | ps6500k-2-24 |
| 25 | agrafa 1.5x20            | clip 1.5x20                   | ps6500k-2-25 |
| 26 | ansamblu reductor        | gear box assy                 | ps6500k-2-26 |

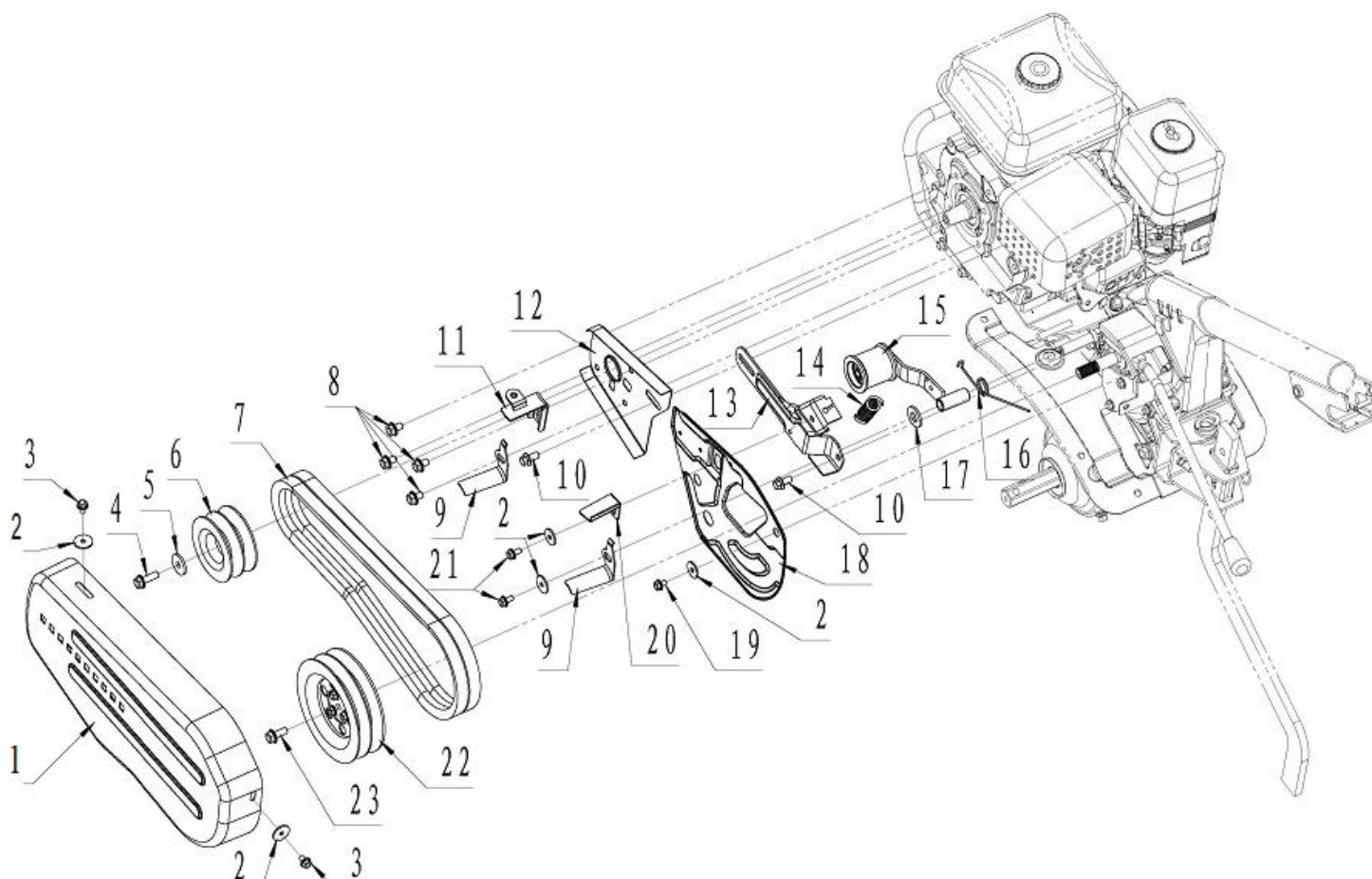


| Nr.crt | Denumire produs   | Product name       | Cod comanda |
|--------|-------------------|--------------------|-------------|
| 1      | bara de protectie | handrail           | ps6500k-3-1 |
| 2      | suport motor      | engine bearer      | ps6500k-3-2 |
| 3      | surub m8x40       | bolt m8x40         | ps6500k-3-3 |
| 4      | saiba 8x28x3      | flat washer 8x18x3 | ps6500k-3-4 |
| 5      | grover 8          | spring washer 8    | ps6500k-3-5 |
| 6      | piulita m8        | Nut M8             | ps6500k-3-6 |

## Producător motoutilaje

## Documentatie tehnică

|     |                             |   |               |
|-----|-----------------------------|---|---------------|
| 7   | motor arbore cilindric 168f | gasoline engine 168f (cylindrical crankshaft) | ps6500k-3-7   |
| 7a  | motor arbore caneluri 170f  | gasoline engine 170f (grooves crankshaft)     | ps6500k-3-7a  |
| 7b  | motor arbore conic 170f     | gasoline engine 170f (conical crankshaft))    | ps6500k-3-7b  |
| 8   | saiba 8x28x3                | flat washer 8                                 | ps6500k-3-8   |
| 9   | piulita m8                  | nut m8  | ps6500k-3-9   |
| 10  | aripi intrioare             | inner fender                                  | ps6500k-3-10  |
| 11  | piulita m10                 | nut m10                                       | ps6500k-3-11  |
| 12  | grover 10                   | spring washer 10                              | ps6500k-3-12  |
| 13  | saiba 8x28x3                | flat washer 10                                | ps6500k-3-13  |
| 14  | bolt                        | pin spindle                                   | ps6500k-3-14  |
| 15  | support accesorii           | hinge frame combination                       | ps6500k-3-15  |
| 16  | surub m8x25                 | bolt m8x25                                    | ps6500k-3-16  |
| 17  | surub m8x30                 | bolt m8x30                                    | ps6500k-3-17  |
| 18  | suport picior               | ratory blade connecting set                   | ps6500k-3-18  |
| 18a | suport picior               | ratory blade connecting set                   | ps6500k-3-18a |
| 19  | arc b                       | garter spring b                               | ps6500k-3-19  |
| 20  | surub m8x20                 | bolt m8x20                                    | ps6500k-3-20  |
| 21  | bolt 8x43                   | pin spindle 8x43                              | ps6500k-3-21  |
| 22  | picior suport               | eep furrowing resistance par                  | ps6500k-3-22  |
| 22a | picior suport               | eep furrowing resistance par                  | ps6500k-3-22a |
| 23  | surub m8x25                 | bolt m10x90                                   | ps6500k-3-23  |
| 24  | siguranta                   | garter spring c                               | ps6500k-3-24  |
| 25  | suport                      | oning wheel supporting                        | ps6500k-3-25  |
| 26  | surub m8x25                 | bolt msx 70                                   | ps6500k-3-26  |
| 27  | surub m8x25                 | bolt msx 65                                   | ps6500k-3-27  |
| 28  | bucsa                       | bush 8X12X12                                  | ps6500k-3-28  |
| 29  | surub m8x25                 | bolt msx 16                                   | ps6500k-3-29  |

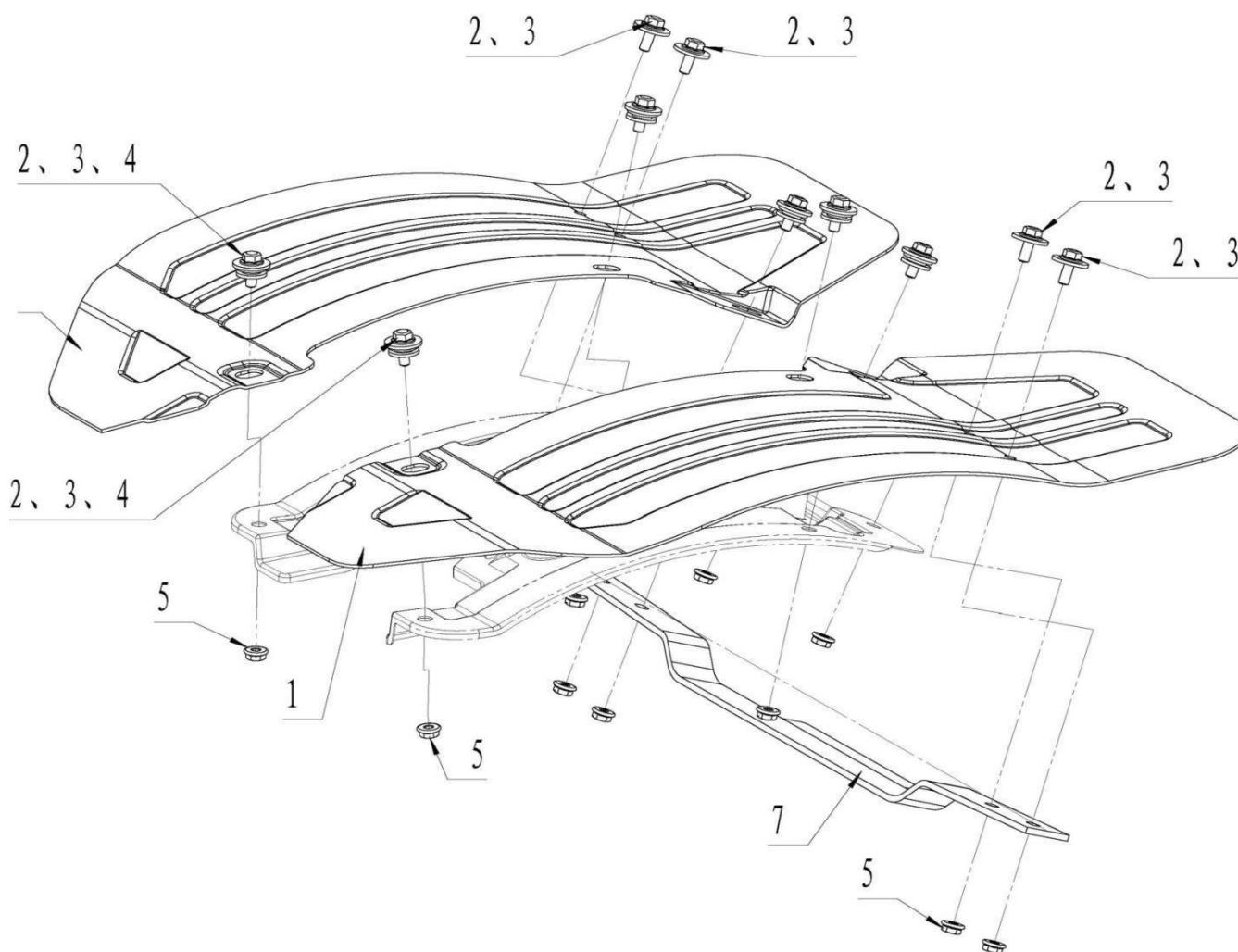


| Nr. crt | Denumire produs              | Product name                  | Cod comanda  |
|---------|------------------------------|-------------------------------|--------------|
| 1       | capac curea                  | belt protector                | ps6500k-4-1  |
| 2       | saiba 8x28x3                 | washer 6x22x2                 | ps6500k-4-2  |
| 3       | surub m6x10                  | bolt m6x10                    | ps6500k-4-3  |
| 4       | surub m8x25                  | bolt m8x25                    | ps6500k-4-4  |
| 5       | saiba 8x28x3                 | washer 8x28x3                 | ps6500k-4-5  |
| 6       | Fulie conica                 | pulley conical                | ps6500k-4-6  |
| 6a      | Fulie cilindrica             | cylindrical pulley            | ps6500k-4-6a |
| 6b      | Fulie cu caneluri            | pulley with grooves           | ps6500k-4-6b |
| 7       | curea (17X914Li) (for 6500k) | v-belt (17X914Li) (for 6500k) | ps6500k-4-7  |
| 7a      | curea (1370) (for 6000k)     | v-belt (1370) (for 6000k)     | ps6500k-4-7a |
| 7b      | curea (17x864Li) (for 7099)  | v-belt (17x864Li) (for 7099)  | ps6500k-4-7b |
| 7c      | curea (13X1010) (for 7600K)  | v-belt (13X1010) (for 7600K)  | ps6500k-4-7c |
| 8       | surub m8x25                  | bolt m8x12                    | ps6500k-4-8  |
| 9       | limitator curea              | v-belt guard c                | ps6500k-4-9  |
| 10      | surub m8x25                  | bolt m8x16                    | ps6500k-4-10 |
| 11      | limitator curea              | v-belt guard b                | ps6500k-4-11 |
| 12      | aparatoare curea             | driving pulley plate          | ps6500k-4-12 |

## Producător motoutilaje

## Documentatie tehnică

|    |                     |                        |              |
|----|---------------------|------------------------|--------------|
| 13 | placa de conectare  | connecting plate       | ps6500k-4-13 |
| 14 | arc intinzator      | tensioner spring       | ps6500k-4-14 |
| 15 | intinzator          | tensioner jointing     | ps6500k-4-15 |
| 16 | prindere intinzator | torsion-bar spring     | ps6500k-4-16 |
| 17 | saiba               | washer                 | ps6500k-4-17 |
| 18 | placa               | passivity pulley plate | ps6500k-4-18 |
| 19 | surub m6x10         | bolt m6x10             | ps6500k-4-19 |
| 20 | limitator curea     | v-belt guard a         | ps6500k-4-20 |
| 21 | surub m6x12         | bolt m6x12             | ps6500k-4-21 |
| 22 | fulie mare          | drive pulley comp      | ps6500k-4-22 |
| 23 | bolt m6x20          | bolt m6x20             | ps6500k-4-23 |

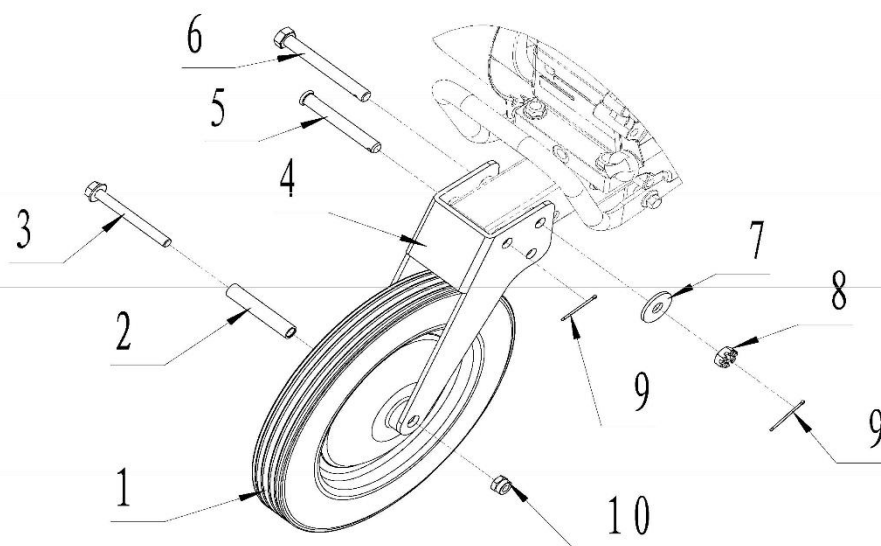


| Nr.crt | Denumire produs | Product name | Cod comanda |
|--------|-----------------|--------------|-------------|
| 1      | aripa st        | left fender  | ps6500k-5-1 |
| 2      | surub m8x25     | bolt m6x16   | ps6500k-5-2 |

## Producător motoutilaje

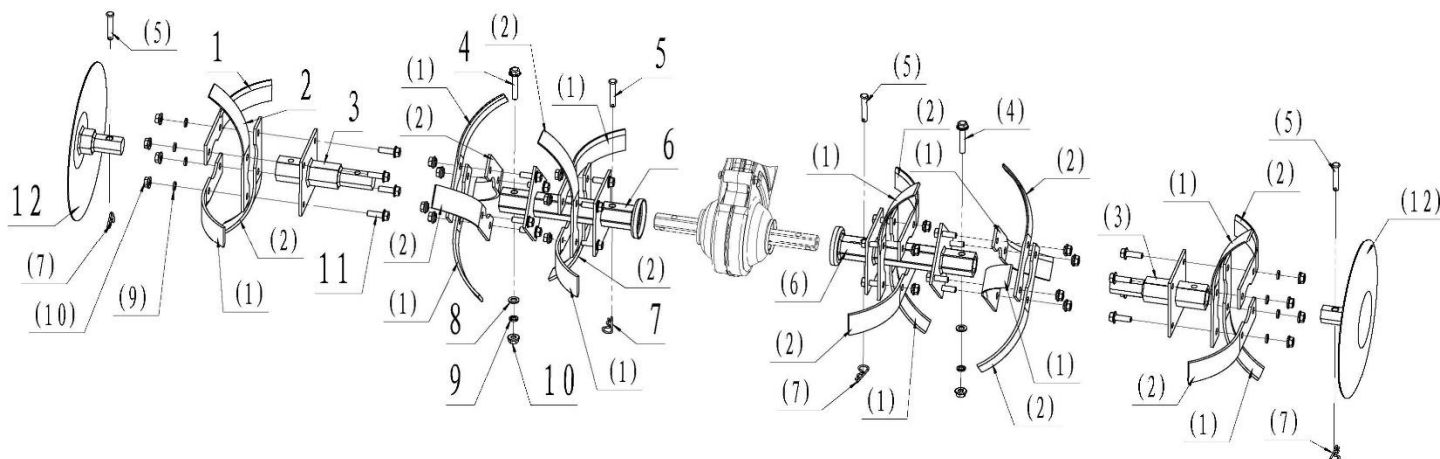
## Documentatie tehnică

|   |              |                  |             |
|---|--------------|------------------|-------------|
| 3 | saiba        | washer 6×22×2    | ps6500k-5-3 |
| 4 | manson       | rubber sleeve    | ps6500k-5-4 |
| 5 | piulita 6    | nut m6           | ps6500k-5-5 |
| 6 | aripa dr     | right fender     | ps6500k-5-6 |
| 7 | suport aripa | connecting plate | ps6500k-5-7 |

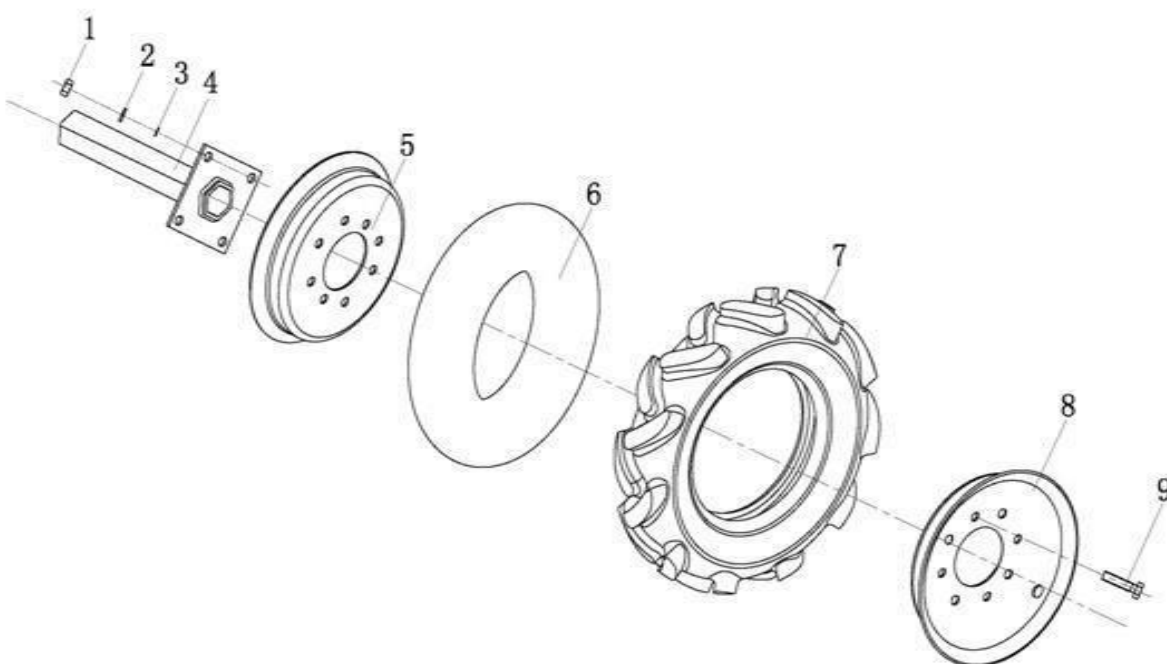


| Nr. Crt | Denumire produs     | Product name      | Cod comanda  |
|---------|---------------------|-------------------|--------------|
| 1       | ansamblu roata fata | front wheel       | ps6500k-6-1  |
| 3       | surub m8x75         | bolt m8×75        | ps6500k-6-3  |
| 4       | suport roata        | front wheel stand | ps6500k-6-4  |
| 5       | bolt 10x75          | pin 10×75         | ps6500k-6-5  |
| 6       | surub m8x75         | bolt M8×85        | ps6500k-6-6  |
| 7       | saiba 10            | washer 10         | ps6500k-6-7  |
| 8       | piulita m10         | nut m10           | ps6500k-6-8  |
| 9       | siguranta           | cotter pin2×30    | ps6500k-6-9  |
| 10      | piulita m8          | nut m8            | ps6500k-6-10 |





| Nr. crt | Denumire produs     | Product name               | Cod comanda  |
|---------|---------------------|----------------------------|--------------|
| 1       | cutit stanga 70mm   | left rotary blade 70mm     | ps6500k-7-1  |
| 1a      | cutit stanga 60mm   | left rotary blade 60mm     | ps6500k-7-1a |
| 2       | cutit dreapta 70mm  | right rotary blade 70mm    | ps6500k-7-2  |
| 2a      | cutit dreapta 60mm  | right rotary blade 60mm    | ps6500k-7-2a |
| 3       | manicot fara guler  | ubsidiary blade holder com | ps6500k-7-3  |
| 4       | surub m8x45         | Bolt M8x45                 | ps6500k-7-4  |
| 5       | bolt 8x43           | pin spindle 8x43           | ps6500k-7-5  |
| 6       | manicot cu guler    | primary blade holder comp  | ps6500k-7-6  |
| 7       | arc de tensionare b | garter spring b            | ps6500k-7-7  |
| 8       | saiba 8             | flat washer 8              | ps6500k-7-8  |
| 9       | grower 8            | spring washer 8            | ps6500k-7-9  |
| 10      | piulita m8          | nut m8                     | ps6500k-7-10 |
| 11      | surub m8x25         | bolt m8x25                 | ps6500k-7-11 |
| 12      | taler               | circinal cover             | ps6500k-7-12 |
| 13      | ansamblu freze ts   | knife assembly             | ps6500k-7-13 |



| Nr. crt | Denumire produs | Product name      | Cod comanda |
|---------|-----------------|-------------------|-------------|
| 1       | piulita m10     | nut m10           | ps6500k-8-1 |
| 2       | grover 10       | spring washer 10  | ps6500k-8-2 |
| 3       | saiba 10        | washer 10         | ps6500k-8-3 |
| 4       | manicot         | wheel axle        | ps6500k-8-4 |
| 5/8     | janta           | spoke             | ps6500k-8-5 |
| 6       | camera          | inner tube        | ps6500k-8-6 |
| 7       | anvelopa        | outer rubber tyre | ps6500k-8-7 |
| 9       | surub           | bolt              | ps6500k-8-9 |