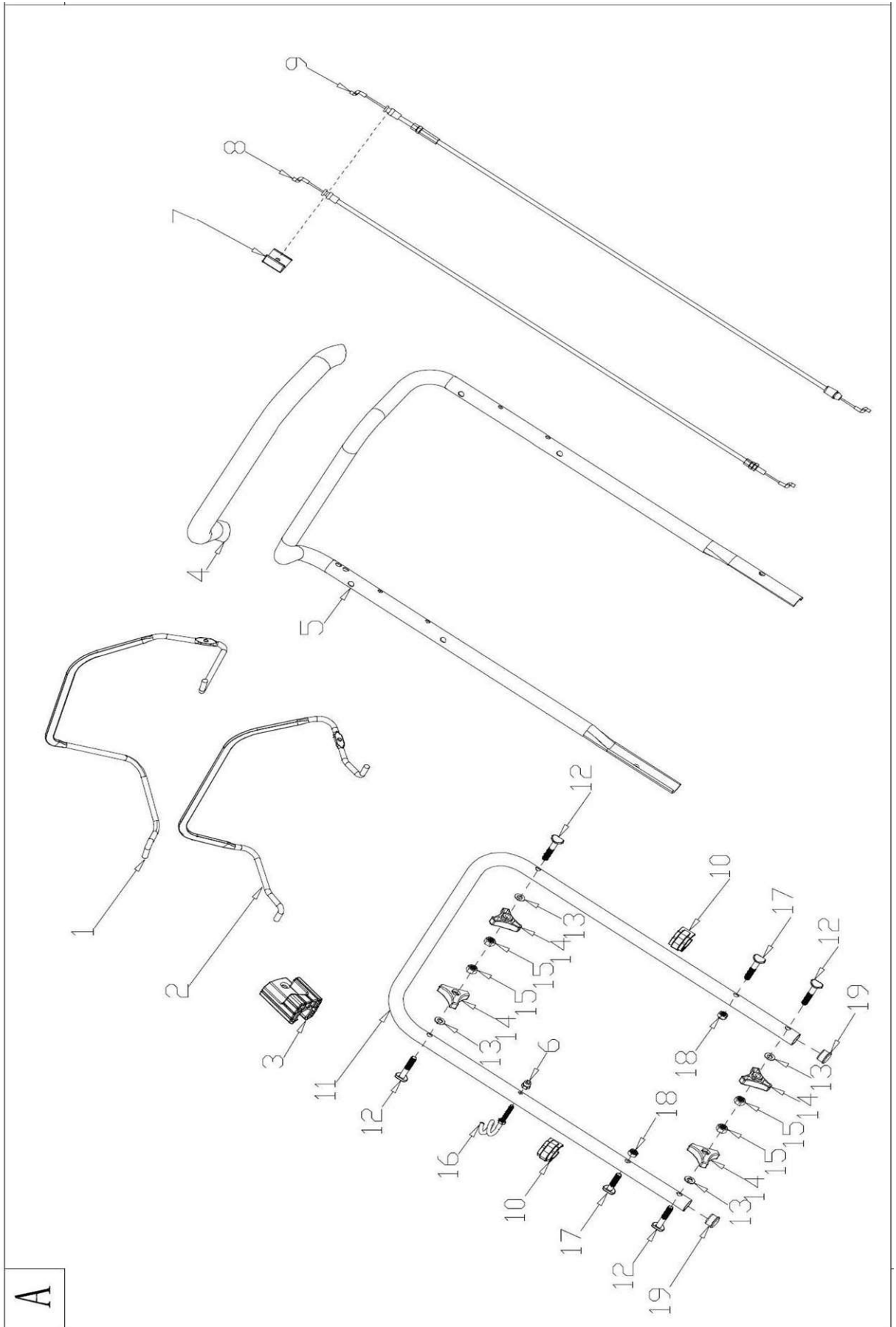
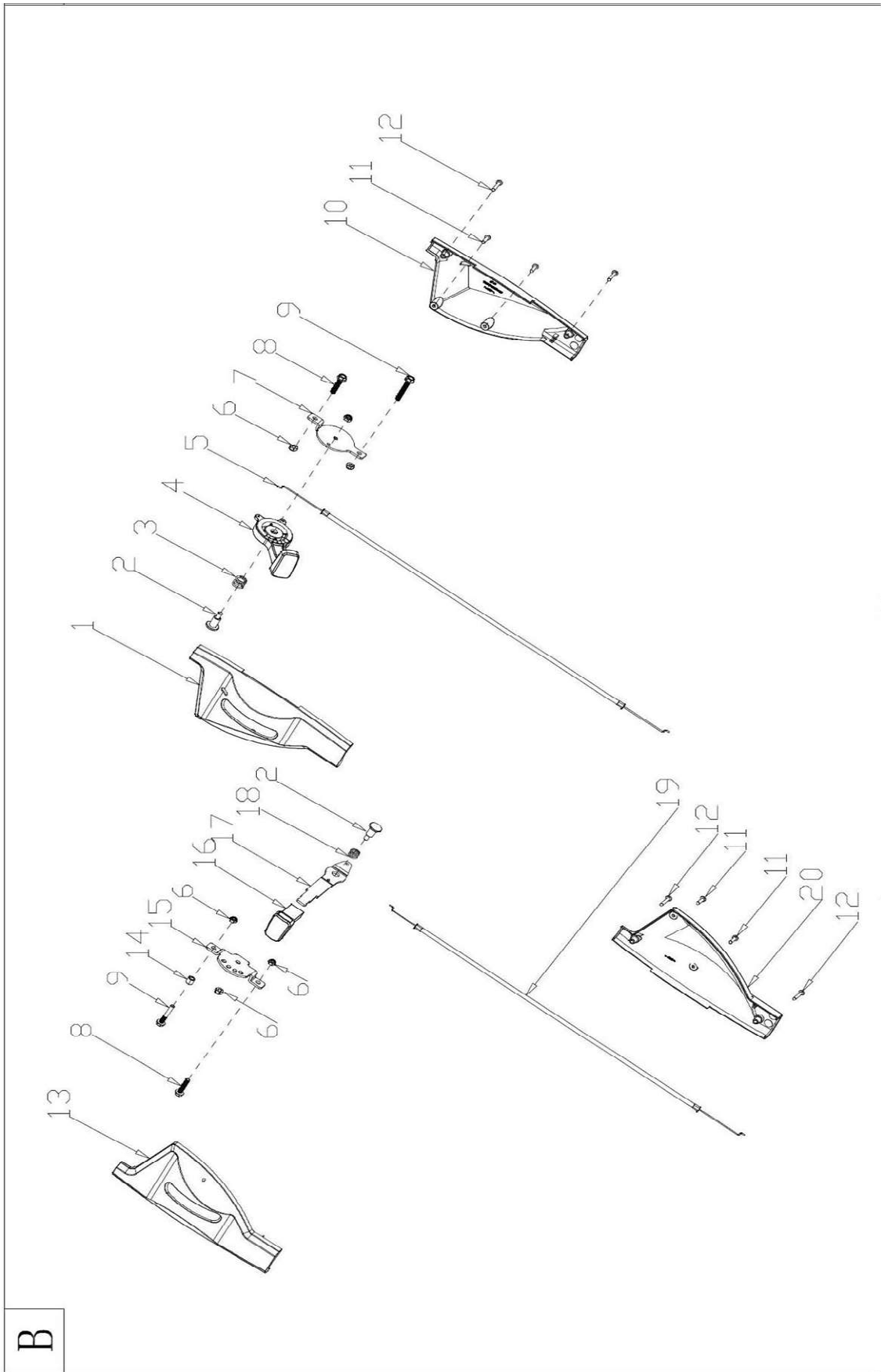


FALCON 6111 B MATIC



A

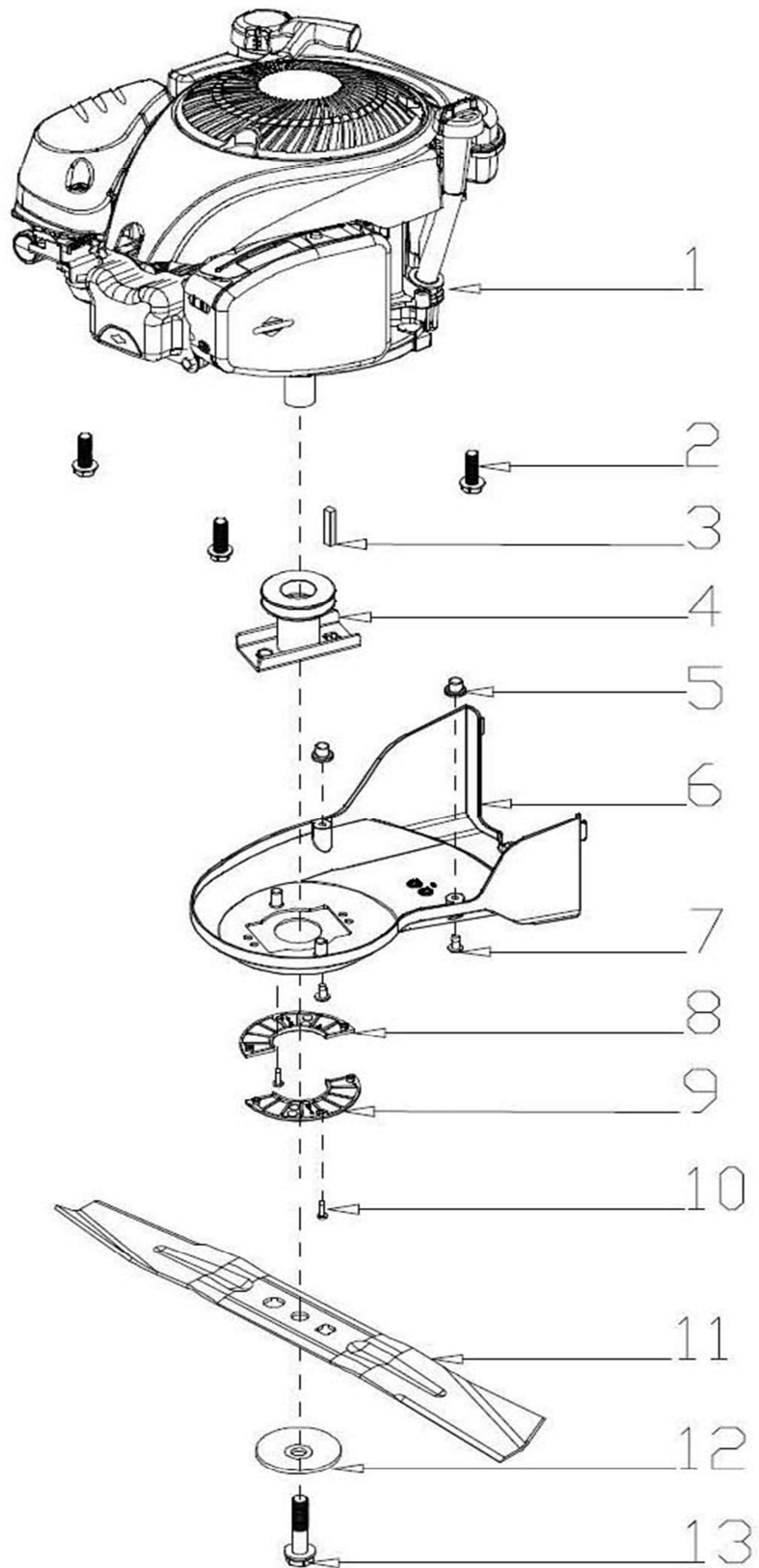
FALCON 6111 B MATIC



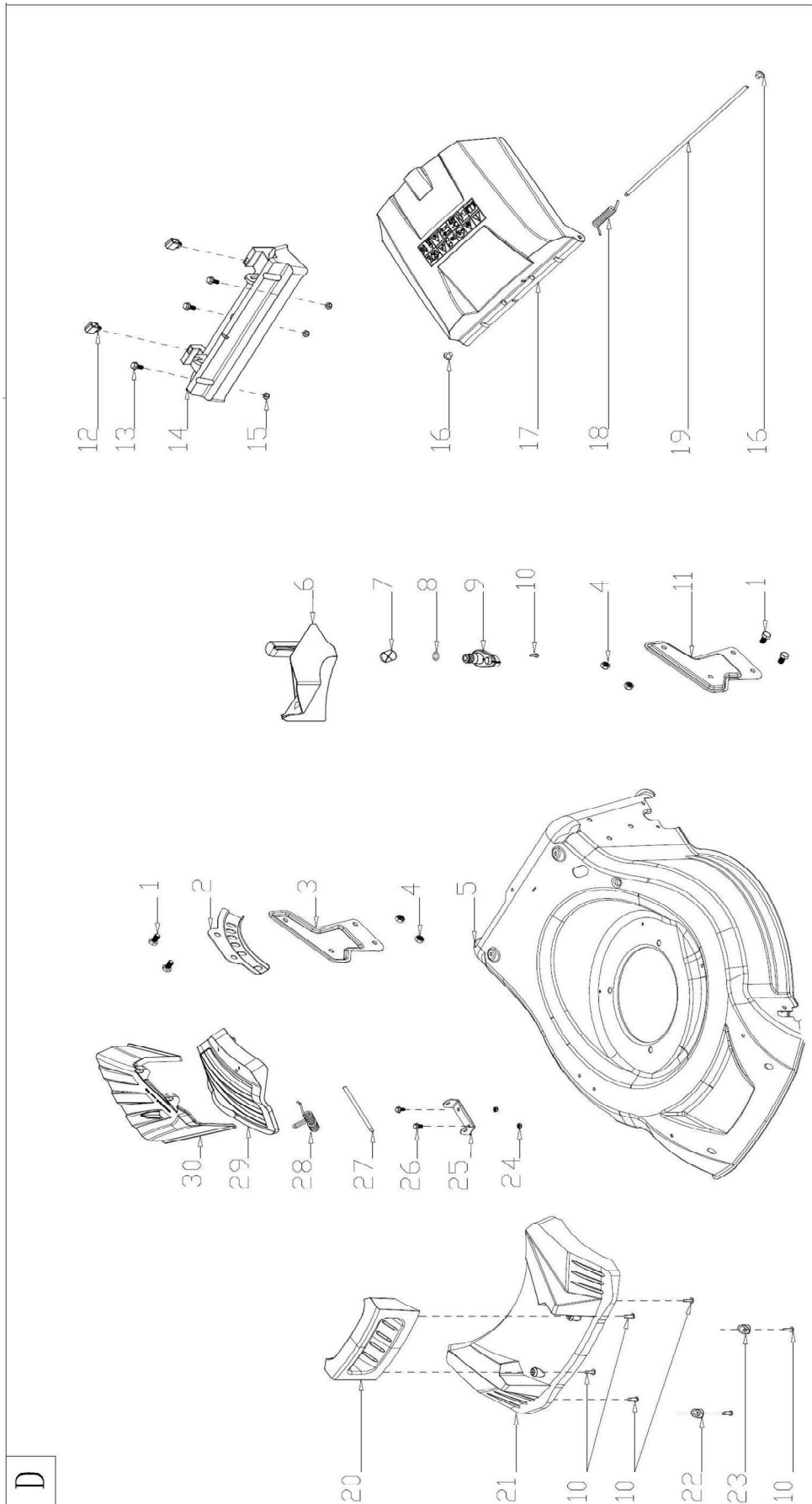
B

FALCON 6111 B MATIC

C

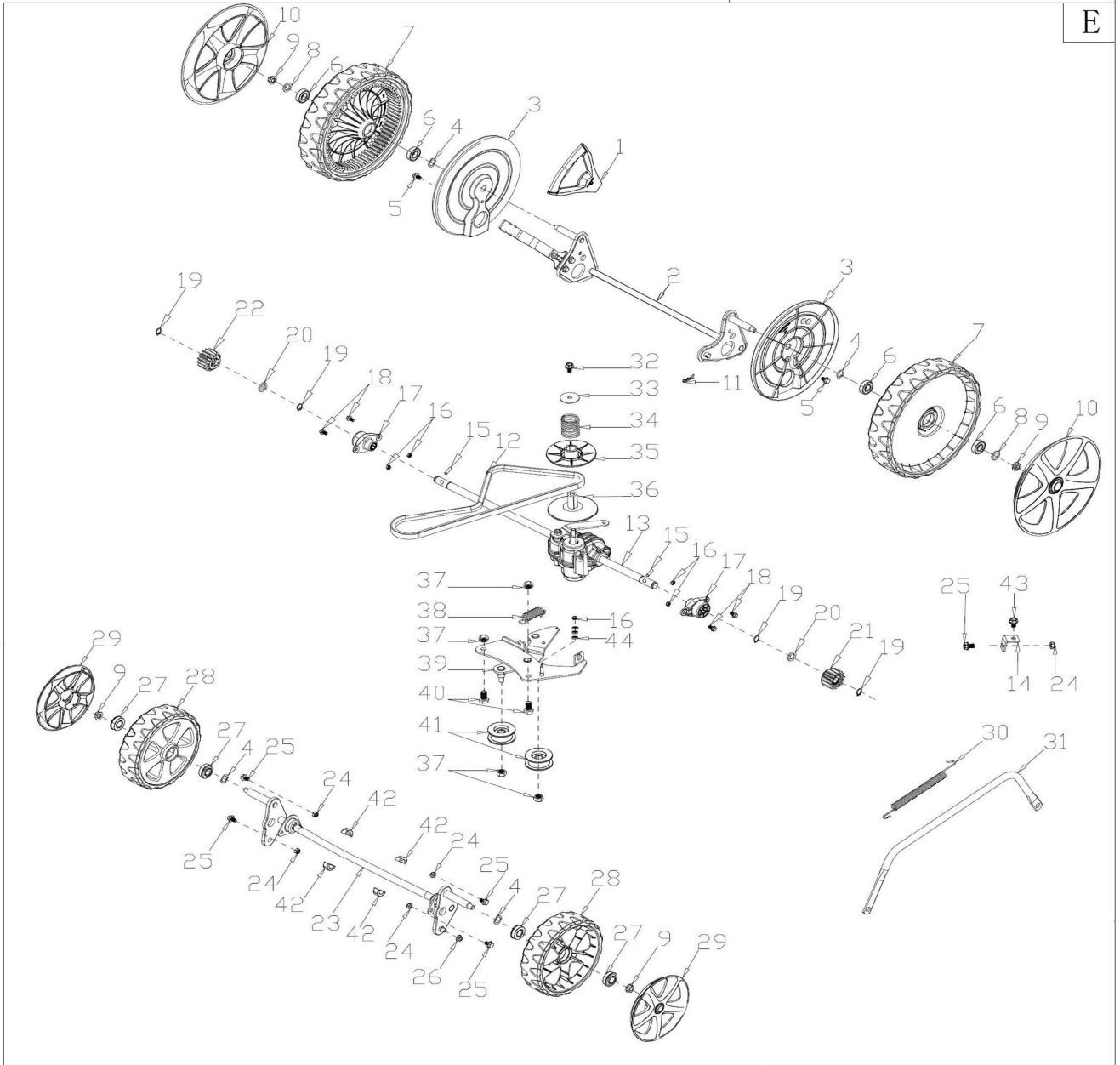


FALCON 6111 B MATIC

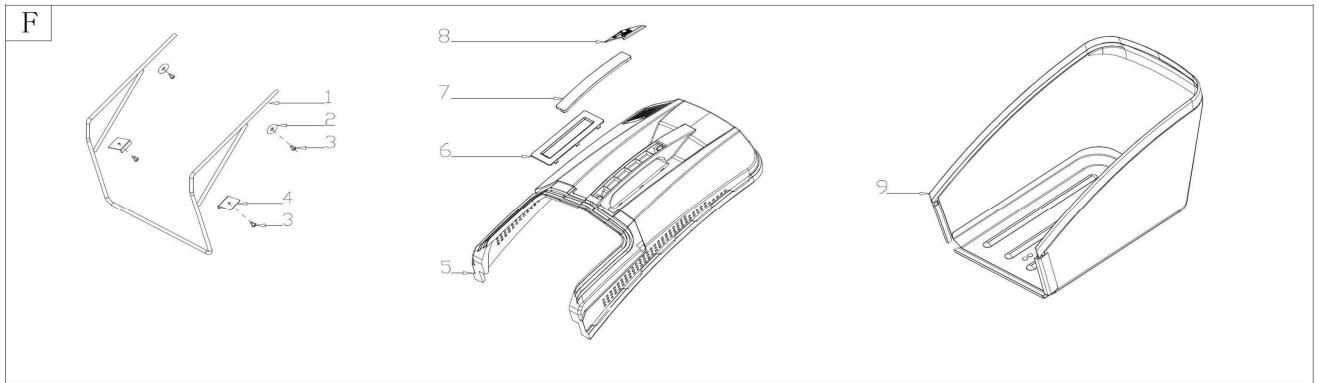


FALCON 6111 B MATIC

E



FALCON 6111 B MATIC





EXPLODED PARTS LIST

Year: 2020

Page(s): 7/8

FALCON 6111 B MATIC

No	Code	Name	Qty	No	Code	Name	Qty
A	Part A			C-7	051661	Screw	2
A-1	051652	Clutch Lever	1	C-8	049743	Belt Cover Plate	1
A-2	051653	Brake Lever	1	C-9	049744	Belt Cover Plate	1
A-3	049699	Limiting Stopper	1	C-10	049745	Screw	2
A-4	049700	Foam Pipe	1	C-11	047646	21" Blade	1
A-5	051654	Handle	1	C-12	049713	Blade Washer	1
A-6		Nut	1	C-13	047642	Blade Bolt	1
A-7	049702	Cable Fixing Clamp	1	D	Part D		
A-8	047643	Brake Cable	1	D-1		Bolt	6
A-9	051655	Handle Cable	1	D-2	051662	Plate	1
A-10		Cable Support	2	D-3	051663	Right Bracket	1
A-11	051656	Handle	1	D-4		Nut	6
A-12	052347	Bolt	4	D-5	051651	Deck	1
A-13		Flat Washer	4	D-6	049747	Mulching Plug	1
A-14		Knob	4	D-7		Cable Sleeve	1
A-15		Nut	4	D-8	049748	Seal Ring	1
A-16		Rope Guide	1	D-9	049749	Washing Linker	1
A-17		Bolt	2	D-10		Screw	1
A-18		Nut	2	D-11	051665	Left Bracket	1
A-19	049706	Handle Plug	2	D-12	049750	Rear Cover Support	2
B	Part B			D-13		Bolt	3
B-1		Upper Cover of Left Panel	1	D-14	049751	Rear Cover Pedestal	1
B-2		Bolt	2	D-15		Nut	3
B-3		Spring	1	D-16		Plug	2
B-4		Plastic Grip	1	D-17	051666	Rear Cover	1
B-5		Cable	1	D-18	049753	Rear Cover Spring	1
B-6		Nut	6	D-19	049754	Rear Cover Shaft	1
B-7		Fixed Plate	1	D-20		Nut	2
B-8		Bolt	2	D-21	049757	Side Discharge Bracket	1
B-9	052471	Bolt	2	D-22		Bolt	2
B-10		Lower Cover of Left Panel	1	D-23	049758	Side Discharge Cover Shaft	1
B-11	049745	Screw	6	D-24	049759	Side Discharge Cover Spring	1
B-12		Screw	4	D-25	049760	Side Discharge Cover	1
B-13		Upper Cover of Right Panel	1	D-26	049761	Side-Discharge Guiding Board	1
B-14		Bush	1	E	Part E		
B-15		Fixed Plate	1	E-1	051668	Height Adjustment Handle	1
B-16		Plastic Grip	1	E-2	049763	Rear Wheel Shaft Assy	1
B-17		Operating Grip	1	E-3	049764	Inner Wheel Cover	2
B-18		Spring	1	E-4	052374	Spring Washer	6
B-19	051659	Cable	1	E-5		Bolt	2
B-20		Lower Cover of Right Panel	1	E-6	049725	Ball Bearing	4
C	Part C			E-7	049765	11" Wheel	2
C-1	051649	Engine Briggs&Straton 750 EX DOV	1	E-8		Flat Washer	2
C-2	049709	Screw	3	E-9		Nut	4
C-3	052357	Flat Key	1	E-10	049766	11" Wheel Cover	2
C-4	051650	Blade adapter	1	E-11	051669	Split Pin	1
C-5		Screw Cap	2	E-12	051670	Belt	1
C-6	049742	Belt Cover	1	E-13	051671	Gearbox	1

