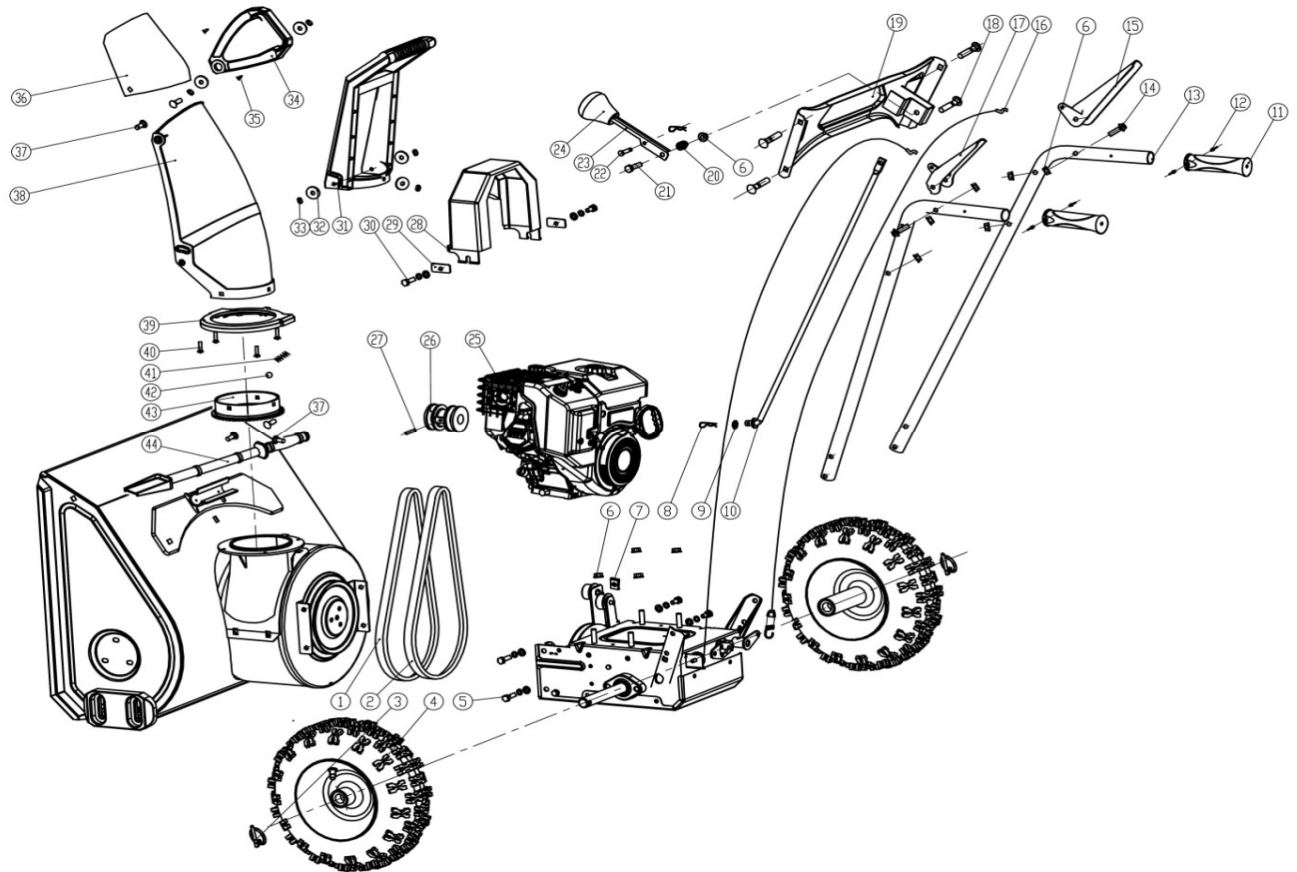
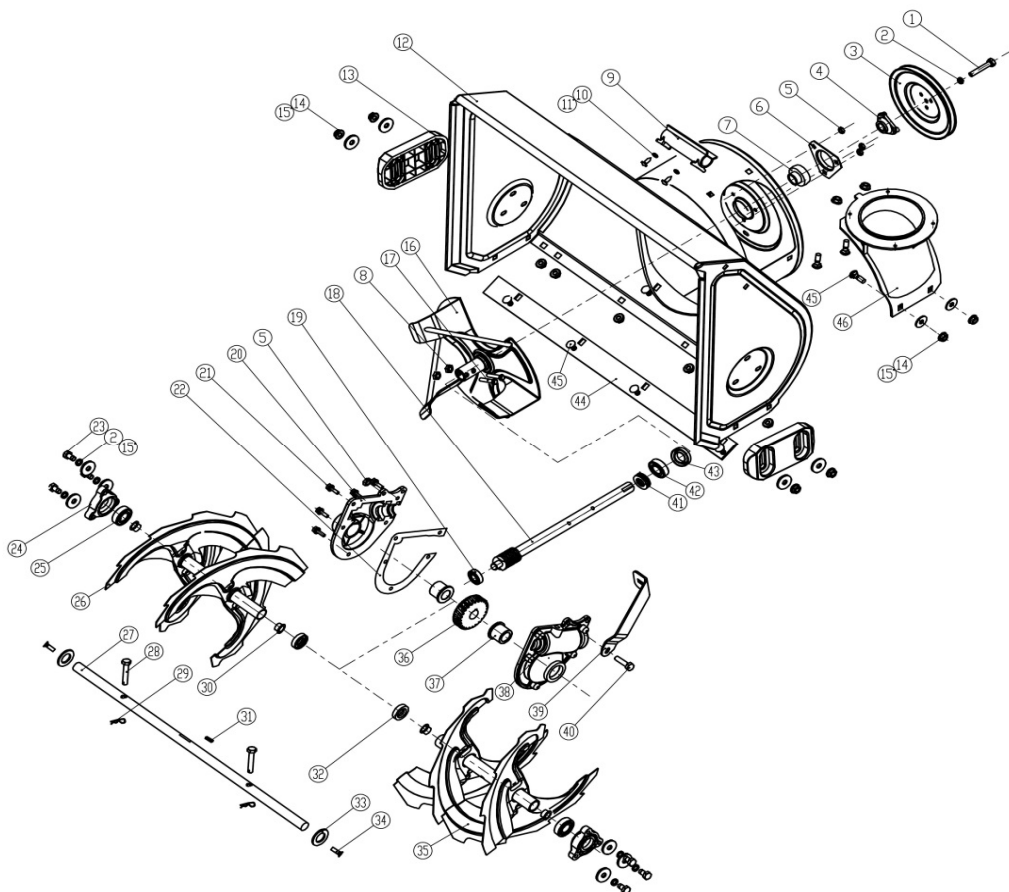


VST 45



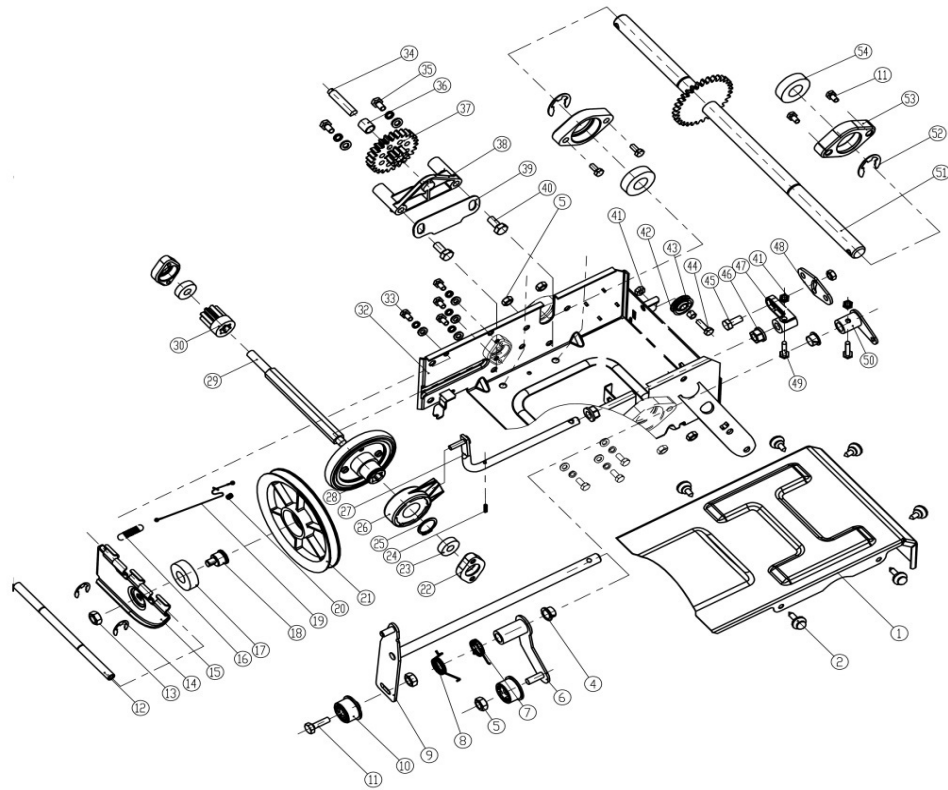
No	Code	Name	Qty	No	Code	Name	Qty
1	038195	V-Belt	1	25	038203	Engine	1
2	038196	V-Belt	1	26	038204	Belt Pulley	1
3		D Pin 8x50	2	27		Set screw M5X8	1
4	038197	13" Snow hog Tyre	2	28	038205	Belt Cover	1
5		Hexagon Nut Assebmly M8X15	4	29		Tabletting	2
6		Prevailing torq. type hexag. nuts with flange M8	10	30		Hexagon Nut Assebmly M6X16	2
7		Nut Type B M6	2	31		Chute Handle	1
8		B Pin	2	32		Washer C6	5
9		Flat Washer 6	1	33		Hexagon Nut M6	5
10	038198	Connecting Rod	1	34		Chute Cap Handle	1
11	038199	Hand Shank	2	35		Cross recessed countersunk flat head screw	2
12		Rivet	4	36	038206	Chute Cap	1
13		Toprail	2	37		Cup head square neck bolts M6X15	5
14		Hexagon bolt with flange	2	38	038207	Chute	1
15	038200	Handle Right	1	39	038208	Cover	1
16	038201	Long Wire	2	40		Cross recessed pan head screw M6X10	4
17	038202	Handle Left	1	41		Mn65	1
18		Cup head square neck bolts M8X35	4	42		Steel Ball 6	1
19		Panel	1	43		Fluted Disc	1
20		Locking Spring	1	44		Shovel	1
21		Hexagon Nut M8X35	1	45			
22		Pin	1	46			
23		Handle Lever	2	47			
24		Handle	1	48			

VST 45



No	Code	Name	Qty	No	Code	Name	Qty
1		Hexagon Nut M10X25	1	25	030724	Ball Bearing 6203	2
2		Spring washer 10	7	26	038220	Auger Left	1
3	038209	Belt Pulley	1	27	038221	Output Shaft	1
4	038210	Axle Seat	1	28	038222	Safety Bolt	2
5		Locknut M6	6	29	038223	B PIN	2
6	038211	Bearing Cover	1	30	038224	Short Set of Drive Shaft	4
7	038212	Bearing UB204	1	31	038225	Flat Key	1
8		Locknut M6	5	32	038226	Seal ring FB 19X30	2
9		Support	1	33		Washer	2
10		Flat Washer 6	2	34		Cross recessed countersunk flat head screw M6X16	2
11		Cross recessed pan head tapping screws ST4.2X13-F	2	35	038227	Auger Right	1
12	038213	Housing Parts	1	36	038228	Worm Gear	1
13	038214	Skid	2	37	038229	Shaft Sleeve	2
14		Hexagon flange locknut	14	38	038230	Worm Gear Case right	1
15		Washer 8	14	39		Support Plate	1
16	038215	Fan	1	40		Hexagon Nut M6X25	1
17		Hexagon Nut M6X35	2	41		Bearing 51104	1
18	038216	Worm Shaft	1	42		Bearing 6004	1
19	025367	Ball Bearing 6001	1	43		Seal Ring FB20X35X7	1
20	038217	Worm Gear Case Left	1	44		Baffle	1
21		Hexagon nut Assebemly M6X15	5	45		Cup head square neck bolts M8X15	10
22	038218	Paper Washer	1	46		The mouth of Mount Snow	1
23		Hexagon Nut M8X15	7	47			
24	038219	Bear Seat	2	48			

VST 45



No	Code	Name	Qty	No	Code	Name	Qty
1		Bottom Plate	1	29	038240	Hexagonal Axis	1
2		Plastic rivet buckle	6	30	038241	Gear	1
4	038231	Plastic Shaft Sleeve	2	31			
5		Prevailing torque type hexagon nuts M8	7	32		Box	1
6		Small Tension Parts	1	33		Assembling bolt M6X12	8
7		Rotation Spring 2	1	34	038242	Transmission Shaft	1
8		Rotation Spring 1	1	35		Assembling bolt M8X12	2
9		Tension Parts	1	36	038243	Spacer bush 2	1
10	038232	Tension Pulley	2	37		Transmission Gear	1
11		Hexagon nut M8X30	5	38	038244	Transmission Gear Seat	1
12	038233	Spindle	1	39		Spacing Clip	1
13		Prevailing torque type hexagon nuts M10	1	40		Hexagon nut M10X10	2
14		Split washer 8	2	41		Prevailing torque type hexagon nuts M6	3
15	038234	Bracket of friction wheel	1	42	038245	Pulley	1
16		Spring	1	43		Shaft Sleeve	1
17	030724	Bearing 6203	1	44		Hexagon nut M6X15	1
18	038235	Axle	1	45		Hexagon nut M8X20	1
19		Short wire	1	46		Cover	2
20		Spring 1	1	47		Joint	1
21	038236	Friction desk	1	48		Connector of Gear position	1
22	038237	Bearing seat	2	49		Hexagon nut M6X25	2
23	036863	Bearing 6000	2	50		Tension adapter sleeve	1
24		Spring Pin	1	51	038246	Drive Shaft	1
25		Check ring 25	1	52		Split Washer 19	2
26	038238	Bearing	1	53	038247	Bearing Seat	2
27		Rod Jaw Lever	1	54	015292	Bearing 6004	1
28	038239	Friction wheel	1	55			