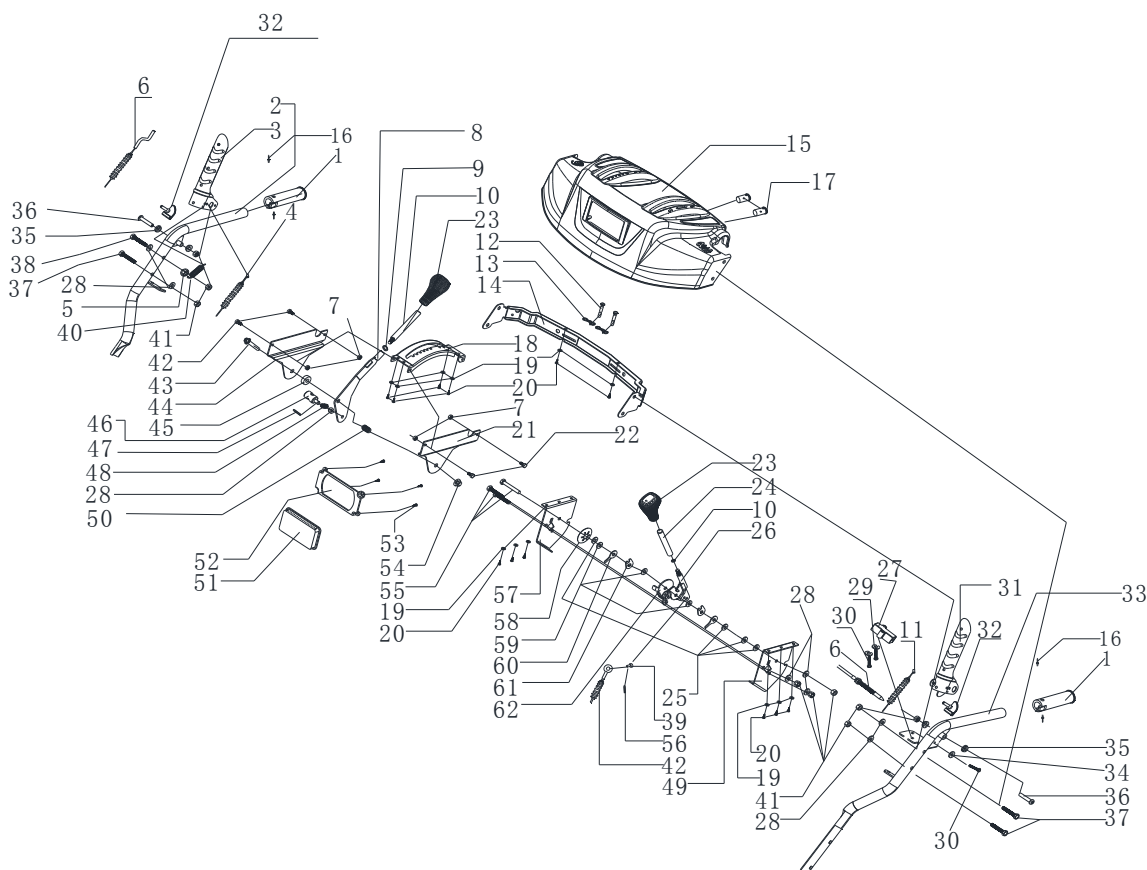


VST 130 - Handle and control assembly

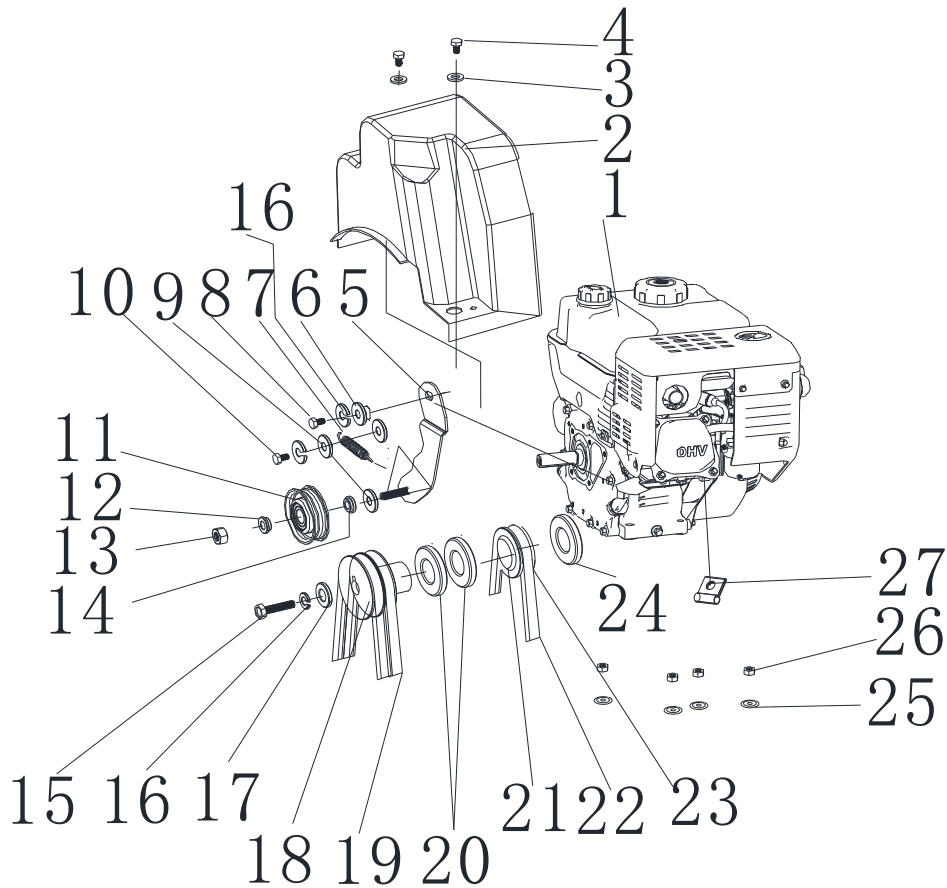


No	Code	Name	Qty	No	Code	Name	Qty
1		Heating handle sleeve	2	25		Flat washer	4
2	030647	Welding assembly -B right handrail	1	26	030711	The adjusting rod welding assembly	1
3		The right handle welding	1	27	030632	Self-locking fixing seat	1
4	038681	Walk cable	1	28		Flat washer	8
5		Flange surface nut	1	29		Spring washer	2
6		Handle self-locking cable	1	30		Six outer hexagon bolt	3
7		Non metal outside six angle locknut	4	31	030747	The left clutch handle	1
8	030709	Gear plate welding assembly	1	32		SJ rubber cap	2
9		Spring washer	2	33	030648	The left armrest pipe welding assembly	1
10	030742	The walking gear extension rod	1	34		Flat washer	1
11	030743	Auger cable	1	35		Small tensioning plate pad	4
12		The output shaft bolt	2	36		Six outer hexagon bolt	2
13		Pin buckle	2	37		The six angle flange screws	3
14	030674	Panel below plate	1	38		Six outer hexagon bolt	1
15	030630	Panel	1	39	030712	Pull pin	1
16		Blindniete	4	40	030633	The clutch handle tension spring	1
17	030631	Switch	2	41		Non metal outside six angle locknut	9
18	030710	Gear plate	1	42	030745	Chute cable	1
19		Flat washer	14	43		Six outer hexagon bolt	1
20		The pan head tapping screws	12	44	030713	Gear rack	1
21	030677	Gear rack	1	45		Flat washer	1
22		Six outer hexagon bolt	4	46	030634	Speed control handle connector	1
23	030679	The gear handle	2	47		Cotter pin	1
24	030744	Chute gear extension rod	1	48	038677	Speed adjusting spring 1	1

## VST 130 - Handle and control assembly

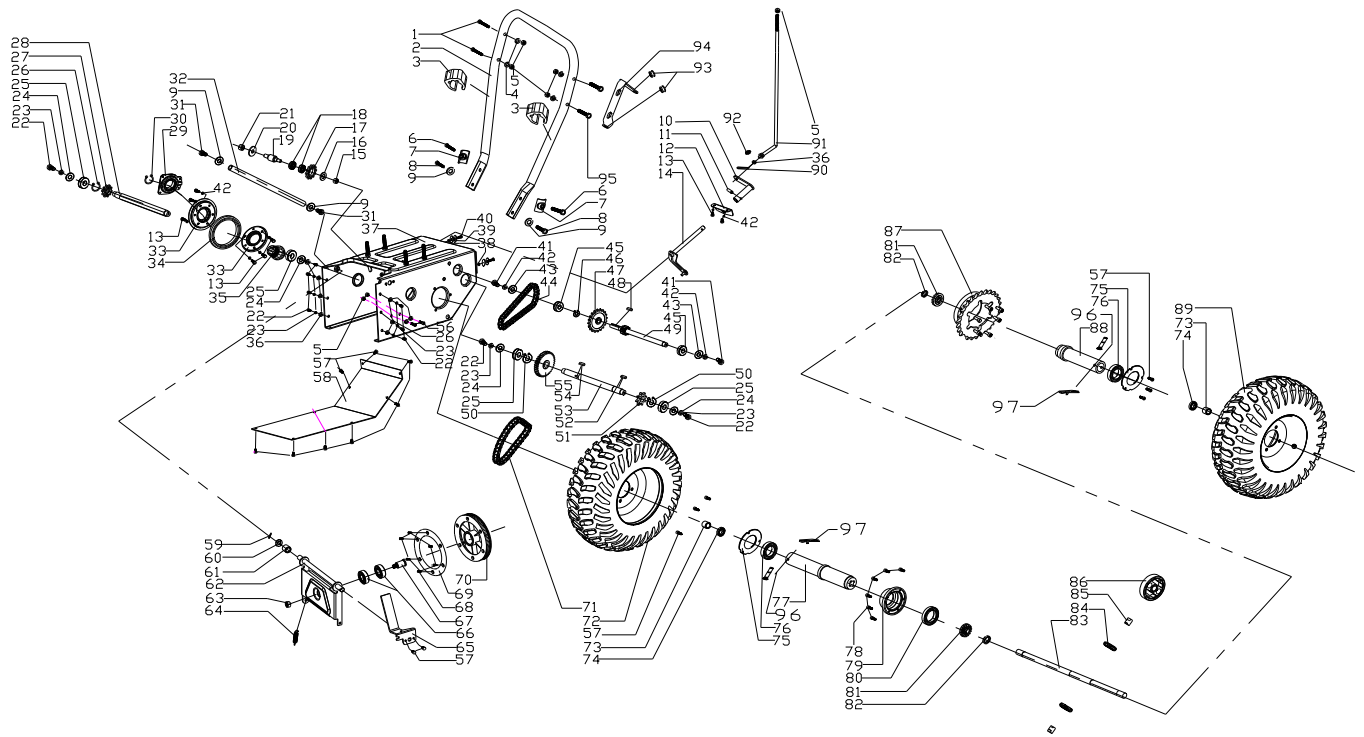
No	Code	Name	Qty	No	Code	Name	Qty
49	030714	Chute gear fixed frame left	1	97			
50		The regulating spring	1	98			
51	030637	Lamp	1	99			
52	030715	Lamp bracket	1	100			
53		Cross recessed countersunk head tapping screws	4	101			
54	030610	Non metal outside six angle locknut	1	102			
55		Six outer hexagon bolt	3	103			
56		Cotter pin	1	104			
57	030716	Chute gear fixed frame right	1	105			
58		Bowl shrapnel	1	106			
59		Saddle shaped elastic gasket	3	107			
60	030717	Gourd-shaped card	2	108			
61	030746	U card	2	109			
62		Adjustable damping mounting plate 1	1	110			
63				111			
64				112			
65				113			
66				114			
67				115			
68				116			
69				117			
70				118			
71				119			
72				120			
73				121			
74				122			
75				123			
76				124			
77				125			
78				126			
79				127			
80				128			
81				129			
82				130			
83				131			
84				132			
85				133			
86				134			
87				135			
88				136			
89				137			
90				138			
91				139			
92				140			
93				141			
94				142			
95				143			
96				144			

VST 130 - Engine assembly



No	Code	Name	Qty	No	Code	Name	Qty
1	038647	Engine	1	25	030610	Non metal outside six angle locknut	4
2	038648	The belt wheel cover		26		Flat washer	4
3		Flat washer	2	27	037050	Cable bracket	1
4		Hexagon screw	2	28			
5		Small tensioning plate	1	29			
6		Small tensioning plate pad	1	30			
7		Small tensioning wheel spring		31			
8		Hexagon screw	1	32			
9		Flat washer	2	33			
10		Hexagon screw	1	34			
11	022388	Small tensioning wheel	1	35			
12		Cushion Cover	1	36			
13		Non metal outside six angle locknut	1	37			
14	022409	SJ gasket	1	38			
15		Hexagon screw	1	39			
16		Spring washer	3	40			
17		Flat washer	1	41			
18	038649	The main belt pulley	1	42			
19	038650	V belt	2	43			
20		Flat washer	1	44			
21		The small pulley washer	1	45			
22	030736	5M synchronous belt	1	46			
23		Main synchronous wheel	1	47			
24	030629	Flat washer	1	48			

VST 130 - Driving assembly

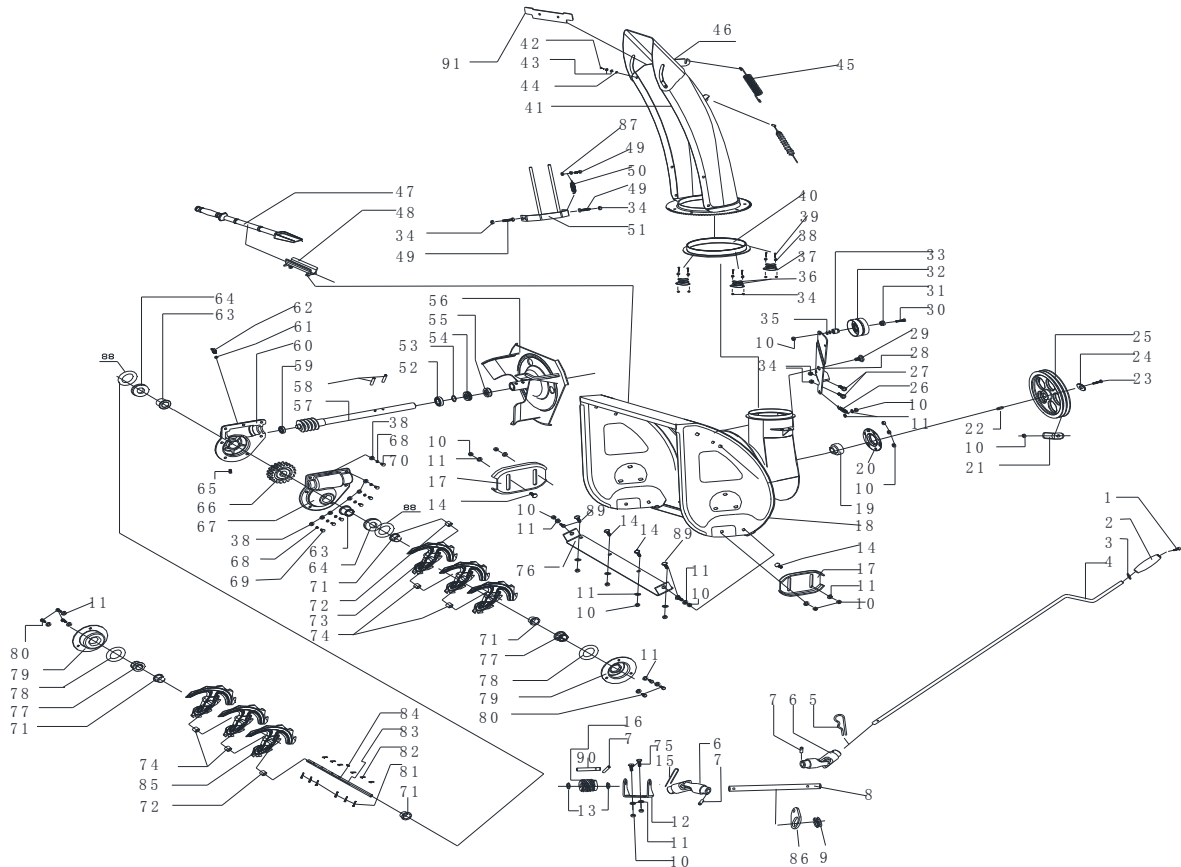


No	Code	Name	Qty	No	Code	Name	Qty
1		Screw bolt	2	25	030722	With stop clamping spring deep groove ball bearing	2
2		Under the armrest tube	1	26		Shaft circlip	1
3		Fastener	2	27	030606	Sprocket wheel	1
4		Spacer	4	28	038653	Shaft	1
5		Flange surface nut	7	29	022397	Gear wheel cover	1
6		Six angle screw	2	30	030607	Shaft circlip	1
7		Spacer	2	31		Six outer hexagon bolt	2
8		Six angle screw	2	32	038654	The connecting shaft	1
9		Flat gasket	2	33	022396	Gear wheel washer	2
10	030689	The shifting fork arm	1	34	022395	Gear wheel rubber ring	1
11	030623	Coiled elastic pin	1	35	022394	Gear wheel set	1
12	030697	Rectangular block	1	36		Flat gasket	9
13		Six angle screw	8	37		Transmission box	1
14		Fork plate combination	1	38		Non metal outside six angle locknut	2
15		Non metal outside six angle locknut	1	39		Flat gasket	4
16		Flat gasket	1	40		The six angle flange bolts	2
17	038651	Tightener sprocket	1	41		Six outer hexagon bolt	2
18	030733	Deep groove ball bearing	2	42		Spring washer	8
19	038652	The tension chain wheel	1	43		Flat gasket	2
20		Flat gasket	2	44	038655	Chain	1
21		Non metal outside six angle locknut	1	45		Deep groove ball bearing	2
22	030611	The six angle flange screws	8	46		Shaft circlip	1
23		Spring washer	8	47	038656	Sprocket wheel	1
24		Flat gasket	4	48		Flat key	1

## VST 130 - Driving assembly

No	Code	Name	Qty	No	Code	Name	Qty
49	038657	Shaft	1	97		Pin buckle	2
50		Shaft circlip	2	98			
51	038658	Sprocket wheel	1	99			
52		Flat key	1	100			
53	038659	Third axis	1	101			
54		Flat key	1	102			
55	038660	Third shaft gear	1	103			
56		Six outer hexagon bolt	2	104			
57		The six angle flange self-tapping bolt	14	105			
58		The box cover	1	106			
59	030609	Cotter pin	1	107			
60		Flat gasket	2	108			
61	038661	The pulley bracket sleeve	1	109			
62	038662	Pulley support	1	110			
63	030610	Non metal outside six angle locknut	1	111			
64		Wheel bracket spring	1	112			
65		The pulley plate 1	1	113			
66	030724	Deep groove ball bearing	2	114			
67	022402	Drive shaft pulley	1	115			
68		Cross recessed countersunk head screws	4	116			
69	030723	SJ drive synchronous wheel cover	1	117			
70	022401	SJ drive synchronous pulley	1	118			
71	038663	Third axle chain	1	119			
72	038664	Tire	2	120			
73	038665	Differential shaft sleeve	2	121			
74	038666	Deep groove ball bearing	2	122			
75		75 stifle	2	123			
76	038667	Deep groove ball bearing	2	124			
77	038668	The differential right axis	1	125			
78		Hexagon socket head cap screw	12	126			
79	038669	Differential wheel sets	1	127			
80	038670	Deep groove ball bearing	2	128			
81	038671	The differential bevel gear 13	2	129			
82		Spacer sleeve	2	130			
83		The differential shaft	1	131			
84		The differential bevel gear rack	1	132			
85		The differential bevel gear shaft	2	133			
86		The differential bevel gear 12	2	134			
87		The differential sprocket assembly (left)	1	135			
88	038675	The differential left axis	1	136			
89	038664	Tire	1	137			
90		The opening pin	1	138			
91	038676	Gear connecting rod	1	139			
92	038677	Speed adjusting spring 1	1	140			
93		SJ mounting plate plastic ring	2	141			
94		Rocker fixed frame 2	1	142			
95		The six angle flange bolts	2	143			
96	038678	The wheel bolt	2	144			

VST 130 - Auger housing assembly



No	Code	Name	Qty	No	Code	Name	Qty
1		Flange six hexagon bolt	1	25	030641	The big belt wheel	1
2	030618	SJ hand set	1	26	022412	Spring 5	1
3		Flat gasket	1	27		Bolt	2
4	030661	Chute rocker	1	28		The tensioning plate	1
5	030727	Cross-pin	1	29		Six angle screw 1	1
6	030701	Universal joint	2	30		Six angle screw	1
7	030619	The elastic cylindrical pin	3	31	022409	SJ pad	1
8		Chute rocker 1-2012	1	32	022408	Large pulley	1
9	030663	Helical bracket rocker gasket	1	33	030620	Cushion	1
10		Six corners locknut	18	34		Non metal outside six angle locknut	10
11		Spacer	20	35		Flat gasket	2
12	030703	Support-2012	1	36	030706	Presser	3
13		Support washer -2012	2	37	030707	Spacer	6
14		Cup head square neck screw	4	38		Flat gasket	13
15		Cotter pin	3.2*25	39		Six angle screw	6
16	030640	Helical gear-2012	1	40	030665	Chute seat plastic ring	1
17	022419	Skid shoe	2	41	038679	Snow chute 2012	1
18		Big shell	1	42		Cross recessed pan head screw	1
19	030728	Spherical ball bearing	1	43		Nylon spacer	2
20	022414	Round bottom cover	1	44		Non metal outside six angle locknut	1
21	030664	Belt baffle	1	45	030621	Chute spring	1
22	030729	Flat key	1	46	038680	Snow chute cap 2012	1
23		Six angle screw	1	47		Plastic shovel	1
24		Flat gasket	1	48		Shovel base	1

## VST 130 - Auger housing assembly

No	Code	Name	Qty	No	Code	Name	Qty
49		Six angle screw	3	97			
50	022437	SJ spring 4	1	98			
51	030708	Bent rod sleeve rod	1	99			
52	030734	Oil nipple	1	100			
52	030730	Deep groove ball bearing	1	101			
53		Space ring	1	102			
54	030731	One-way thrust ball bearing	1	103			
55	030732	Oil seal	2	104			
56	022435	Fan	1	105			
57	030622	Worm gear shaft	1	106			
58	030623	Coiled elastic pin	2	107			
59	030733	Deep groove ball bearing	1	108			
60	022426	Pedestal	1	109			
61	030624	The fuel nozzle gasket	1	110			
63	022427	The output shaft sleeve	2	111			
64	030735	Oil seal	2	112			
65		Cross recessed pan head screw	1	113			
66	022425	Worm gear	1	114			
67	022429		1	115			
68		Spring washer	7	116			
69		Six outer hexagon bolt	6	117			
70		Six outer hexagon bolt	1	118			
71	022428	Drive shaft sleeve	12	119			
72	030666	The output shaft sleeve 28-2	2	120			
73	030645	Right auger	3	121			
74	030668	The output shaft sleeve 28-1	4	122			
75		Half-round head square neck bolt	2	123			
76		Long baffle	1	124			
77	030670	Axle sleeve	2	125			
78	030626	Flat gasket	2	126			
79	022423	Bearing cap	2	127			
80		Six outer hexagon bolt	6	128			
81		The output shaft bolt	6	129			
82		Pin buckle	6	130			
83	030642	The auger shaft	1	131			
84	030627	Woodruff key	1	132			
85	030646	Left auger	3	133			
86		Chute rocker fixing frame	1	134			
87		The six angle flange surface nut	2	135			
88		Flat gasket	2	136			
89		Cup head square neck screw	4	137			
90		Chute helical rod -2012	1	138			
91		Chute rubber pad -2012	1	139			
92				140			
93				141			
94				142			
95				143			
96				144			