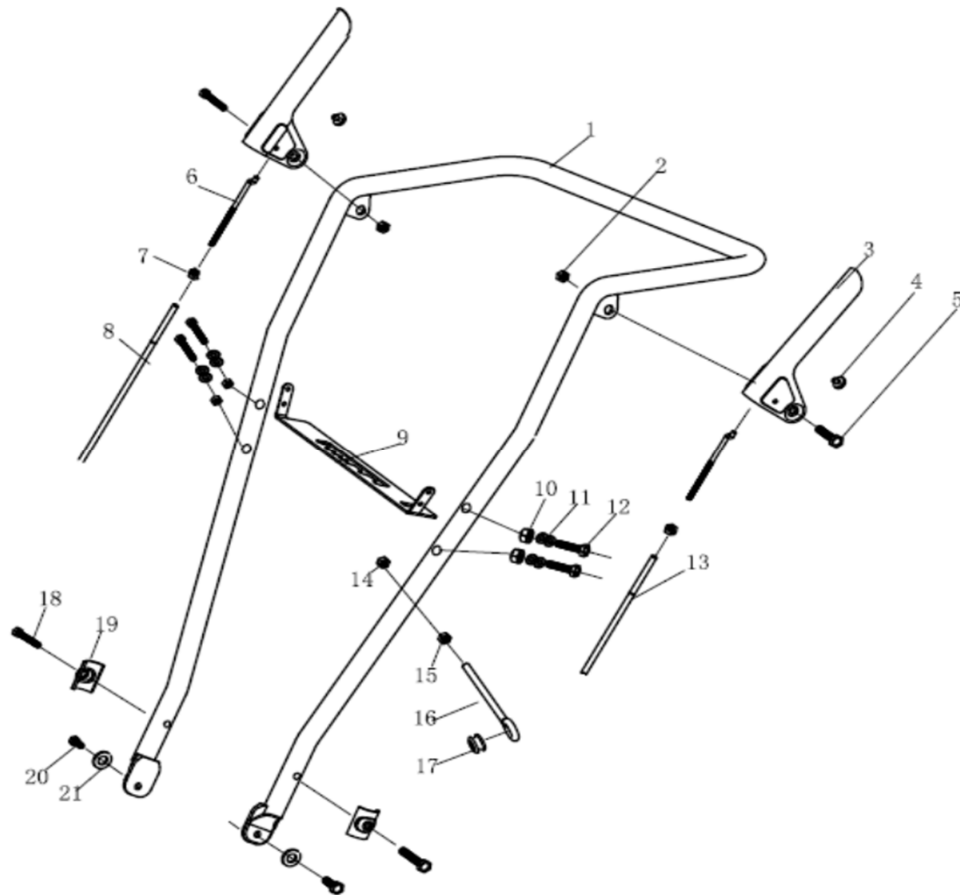
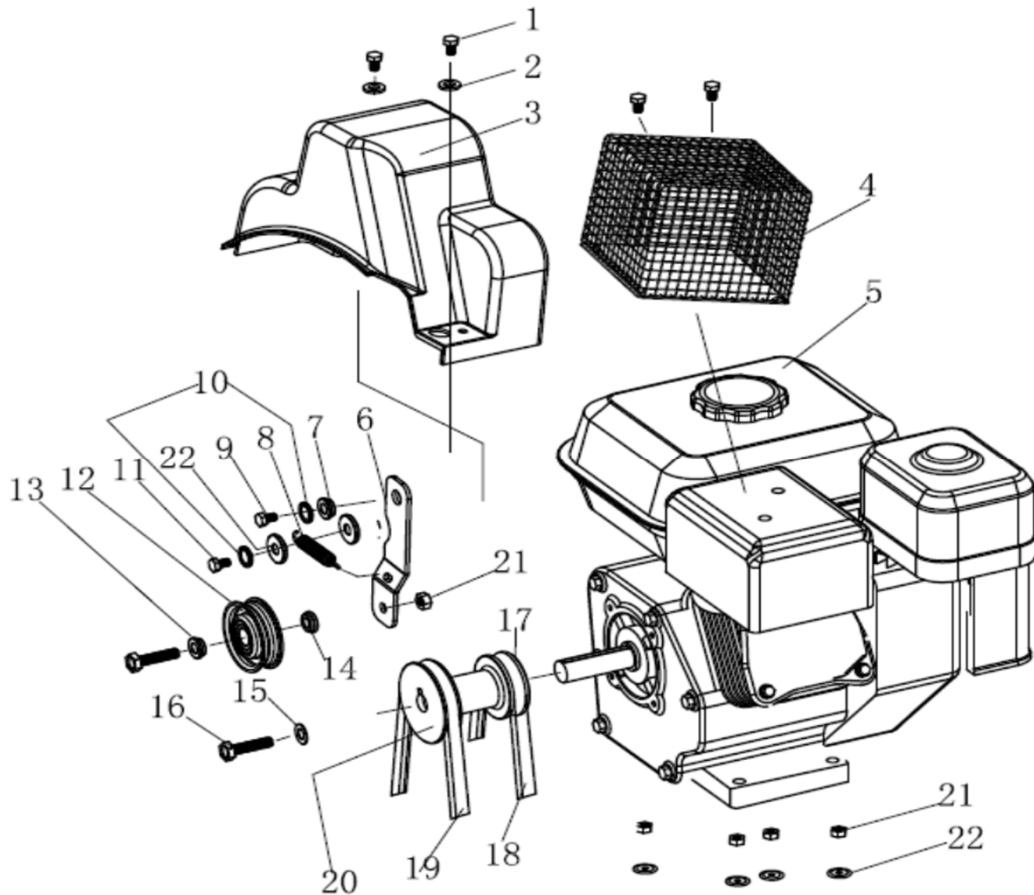


VST 65 - Operation assembly



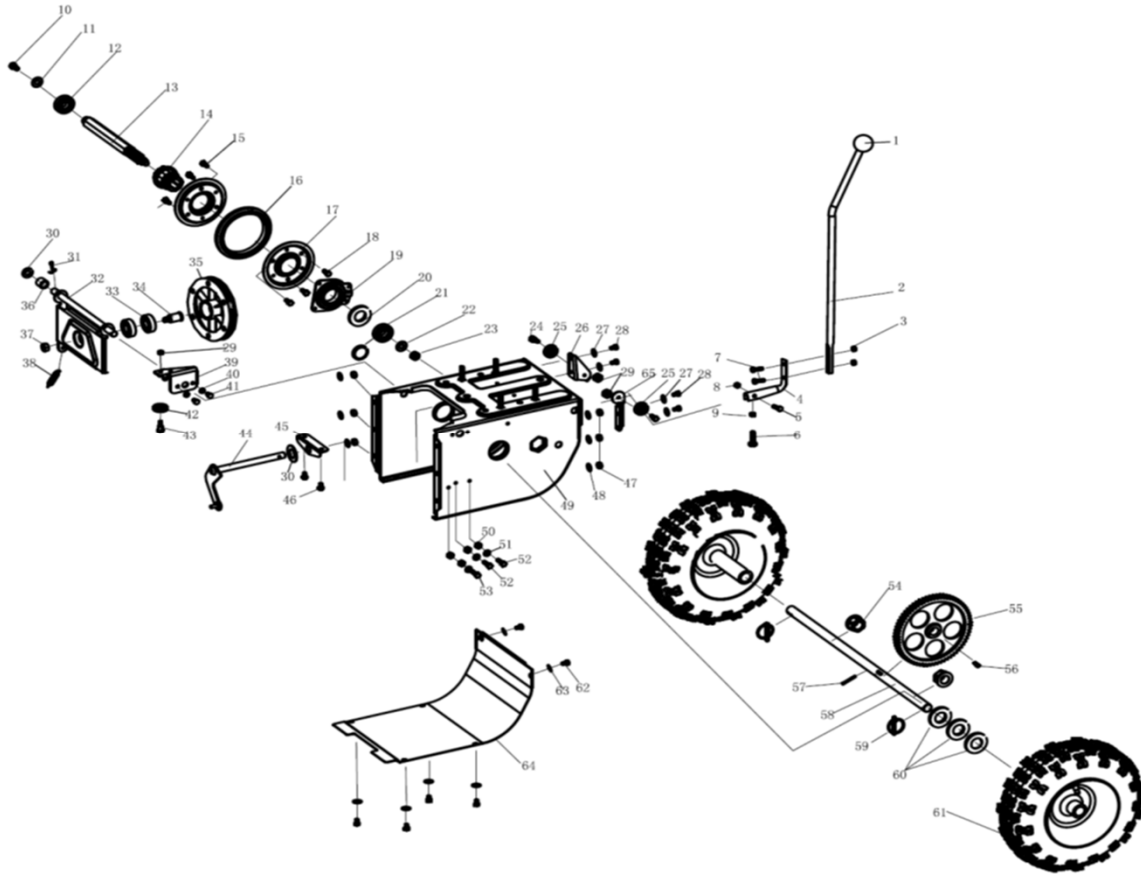
No	Code	Name	Qty	No	Code	Name	Qty
1		SJ handle kit	1 set	25			
2		Hexagonal locking nut M8	2	26			
3	022376	SJ handle	2	27			
4		SJ rubber cap	2	28			
5		Hexagonal bolt M8x45	2	29			
6		SJ steel sticker	2	30			
7		Copper nut M5	2	31			
8	022377	SJ steel rod 1	1 set	32			
9	022381	SJ bounding plate	1	33			
10		Hexagonal locking nut M6	4	34			
11		Washer $\phi 6.5 * \phi 12 * 0.7$	8	35			
12		Hexagonal bolt M6X35	4	36			
13	022378	SJ steel rod 2	1 set	37			
14		Hexagonal locking nut M8	1	38			
15		Hexagonal nut M8	1	39			
16		SJ rotating rod	1	40			
17		SJ rotating rod rubber ring	1	41			
18		Hexagonal bolt M8X40	2	42			
19	030686	SJ handle spacer	2	43			
20		Hexagonal bolt M8X20	2	44			
21		Flat washer $\phi 8.5 * \phi 22 * 2$	2	45			
22				46			
23				47			
24				48			

VST 65 - Engine assembly



No	Code	Name	Qty	No	Code	Name	Qty
1		Hexagonal bolt M6x12	2	25			
2		Flat washer $\phi 6.5 * \phi 16 * 1.5$	2	26			
3		SJ belt pulley cover	1	27			
4		Heat shield	1	28			
5	030752	Engine	1	29			
6		SJ small tension plate	1	30			
7		Small tension plate pad	1	31			
8	022387	SJ spring 3	1	32			
9		Hexagonal bolt M8X20	1	33			
10		Spring washer $\phi 8 * \phi 16 * 1.2$	2	34			
11		Hexagonal bolt M8X16	1	35			
12	022388	Small tension wheel (bearing)	1 set	36			
13	022409	Pad	1	37			
14		Small tension wheel pad	1	38			
15		Flat washer $\phi 8.5 * \phi 28 * 3$	1	39			
16		Hexagonal bolt M8*1x25	1	40			
17	022389	SJ main toothed belt pulley +AL	1	41			
18	030748	Toothed belt	1	42			
19	022391	V type belt	1	43			
20	022390	SJ main pulley	1	44			
21		Hexagonal locking nut M8	5	45			
22		Flat washer $\phi 8 * \phi 16 * 1.2$	6	46			
23				47			
24				48			

VST 65 - Transmission assembly

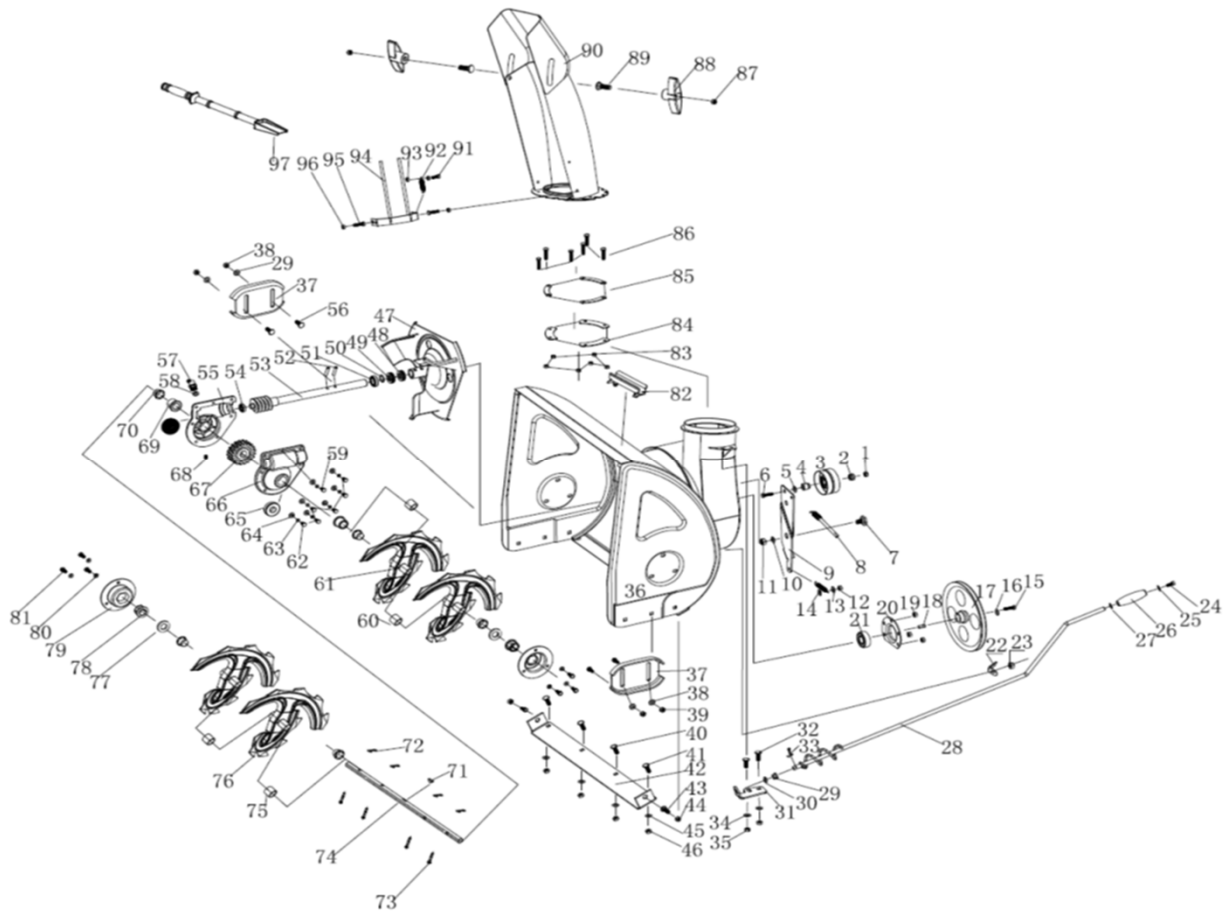


No	Code	Name	Qty	No	Code	Name	Qty
1		Handle ball	1	25		SJ cable pulley	2
2		SJ sticker	1	26		SJ pulley mounting plate 1	1
3		Hexagonal locking nut M6	3	27		Flat washer $\phi 6 * \phi 12 * 0.7$	2
4	022380	SJ steel sticker sheet	1	28		Hexagonal bolt M6X12	2
5		Hexagonal bolt M6X25	1	29		Flange nut M6	3
6		Hexagonal bolt M6X25	1	30		Flat washer $\phi 13 * \phi 24 * 2$	2
7		Socket head screws M6X20	2	31		Opening pin $\phi 2.5-35$	1
8		Hexagonal locking nut M6	1	32	022404	SJ belt pulley bracket	1
9		Nut M6	1	33	030724	Deep groove ball bearing	2
10		Hexagonal bolt M8x16	1	34	022402	SJ transmission belt pulley shaft	1
11		Flat washer $\phi 8.5 * \phi 28 * 2$	3	35	022401	SJ driving toothed belt pulley assembly	1
12	030722	Deep groove ball bearing with spring	1	36	022406	SJ sleeve	1
13	022393	SJ six angle gear shaft	1	37	038393	Hexagonal locking nut M10	1
14	022394	SJ gear wheel	1	38	022405	Spring 6	1
15		Hexagonal bolt M6X12	3	39		SJ pulley mounting plate 2	1
16	022395	SJ rubber ring	1	40		Flat washer $\phi 6 * \phi 12 * 0.7$	2
17	022396	SJ gear wheel washer	2	41		Hexagonal bolt M6X12	2
18		Hexagonal bolt M6X12	3	42		SJ cable pulley	1
19	022397	SJ gear wheel cover	2	43		SJ six angle screw 3	1
20	030607	Shaft circlip $\phi 35$	1	44	022400	SJ fork	1 set
21	030722	Deep groove ball bearing with spring	1	45		SJ rectangular block	1
22		Flat washer $\phi 10 * \phi 28 * 2$	1	46		Hexagonal bolt M6X12	2
23	030610	Hexagonal locking nut M10	1	47		Hexagonal locking nut M8	6
24		SJ six angle screw 3	2	48		Flat washer $\phi 8 * \phi 16 * 1.2$	6

## VST 65 - Transmission assembly

No	Code	Name	Qty	No	Code	Name	Qty
49	022385	SJ gear box shell	1	97			
50		Flange nut M6	4	98			
51		Flat washer $\phi 6 * \phi 12 * 0.7$	3	99			
52		Hexagonal bolt M6X30	2	100			
53		Hexagonal bolt M6X20	1	101			
54		SJ end cap sleeve	2	102			
55	022382	SJ large gear	1	103			
56	030627	Semicircle key 5x7.5x19	2	104			
57		Opening pin $\phi 4 * 30$	1	105			
58	022383	SJ driving pulley shaft	1	106			
59		SJ spring pin	2	107			
60		Flat washer $\phi 19 * \phi 38 * 1.5$	3	108			
61		Tyre 13*4.10-6	2	109			
62		Hexagonal bolt M6X12	6	110			
63		Flat washer $\phi 6.5 * \phi 12 * 0.7$	6	111			
64	022386	SJ transmission box cover plate	1	112			
65		SJ pulley mounting plate 3	1	113			
66				114			
67				115			
68				116			
69				117			
70				118			
71				119			
72				120			
73				121			
74				122			
75				123			
76				124			
77				125			
78				126			
79				127			
80				128			
81				129			
82				130			
83				131			
84				132			
85				133			
86				134			
87				135			
88				136			
89				137			
90				138			
91				139			
92				140			
93				141			
94				142			
95				143			
96				144			

VST 65 - Snow removing assembly



No	Code	Name	Qty	No	Code	Name	Qty
1		Hexagonal bolt M8X45	1	25		Flat washer $\phi 6 * \phi 18 * 1.5$	1
2	022409	SJ pad	1	26		SJ hand set	1
3	022408	SJ large tight wheel 2(with bearing)	1 set	27		Flat washer $\phi 10 * \phi 20 * 1$	1
4	030620	SJ sleeve	1	28	022416	SJ rocker	1
5		Flat washer $\phi 8 * \phi 16 * 1.2$	1	29		SJ mounting plate plastic ring	1
6		Hexagonal locking nut M8	1	30		Flat pad $\phi 10 * \phi 20 * 2$	1
7		SJ hexagonal bolt 1	1	31	022417	SJ small mounting plate	1
8		SJ spring 1	1	32		Half round head screw M8x18	2
9	022410	SJ fixed plate	1	33		Opening pin $\phi 2.5 * 25$	1
10		Flat pad $\phi 10 * \phi 20 * 2$	2	34		Flat washer $\phi 8 * \phi 16 * 1.2$	1
11	030610	Hexagonal locking nut M10	1	35		Hexagonal locking nut M8	2
12		Hexagonal locking nut M8	1	36	022420	SJ box	1 set
13		Flat washer $\phi 8 * \phi 16 * 1.2$	2	37	022419	SJ skid	2
14	022412	Spring 5	1	38		Flat washer $\phi 8 * \phi 22 * 2$	4
15		Hexagonal bolt M8X20	1	39		Hexagonal locking nut M8	4
16		Flat washer $\phi 8 * \phi 28 * 2$	1	40		Half round head screw M8x16	2
17	022413	SJ large belt pulley	1	41		Half round head screw M8x20	2
18		Square key 6x6x17	1	42	022418	SJ long baffle plate	1
19		Hexagonal locking nut M8	3	43		Half round head screw M8x16	2
20	022414	SJ round bottom cover	1	44		Hexagonal locking nut M8	2
21		Bearing	1	45		Flat washer $\phi 8 * \phi 22 * 2$	4
22		Belt plate	1	46		Hexagonal locking nut M8	4
23		Hexagonal locking nut M8	1	47	022435	SJ fan	1 set
24		Cross head screw M6X10	1	48		Oil seal 32x20x6	1

## VST 65 - Snow removing assembly

No	Code	Name	Qty	No	Code	Name	Qty
49	030731	Single direction thrust ball bearing	1	97		Plastic shovel	1
50		Spacer ring	1	98			
51	030730	Deep groove ball bearing	1	99			
52		Coiled spring pin $\phi 6 \times 30$	2	100			
53	022431	SJ driving wormgear shaft	1	101			
54	030733	Deep groove ball bearing	1	102			
55	022429	SJ bottom base	1	103			
56		Half round head screw M8 $\times$ 20	4	104			
57	030734	Grease nipple	1	105			
58		Corrugated gasket	1	106			
59		Hexagonal bolt M6 $\times$ 25	1	107			
60		Output shaft 22-1	2	108			
61	030645	Righ auger	2	109			
62		Hexagonal bolt M6 $\times$ 20	6	110			
63		Spring washer $\phi 6.5 \times \phi 9 \times 1.5$	7	111			
64		Flat washer $\phi 6.5 \times \phi 12 \times 0.5$	7	112			
65		Oil seal 30 $\times$ 19 $\times$ 7	2	113			
66	022426	SJ upper base	1	114			
67	022425	SJ worm gear	1	115			
68		Cross head bolt M5 $\times$ 12	1	116			
69	022427	SJ output shaft sleeve	1	117			
70	022428	SJ drive shaft sleeve	8	118			
71	030627	Half round key 5 $\times$ 7.5 $\times$ 19	1	119			
72		Pin	4	120			
73		Output shaft bolt	4	121			
74		Output shaft	1	122			
75		Output shaft sleeve22-2	2	123			
76	030646	Left auger	2	124			
77		Flat washer $\phi 19 \times \phi 38 \times 1.5$	2	125			
78	030670	SJ bushing	2	126			
79	022423	SJ bearing cover	2	127			
80		Flat washer $\phi 8 \times \phi 16 \times 1.2$	6	128			
81		Hexagonal bolt M8 $\times$ 10	6	129			
82		Shovel seat	1	130			
83		Hexagonal locking nut M6	6	131			
84	030706	Chute gasket	3	132			
85	030707	Chute gasket	3	133			
86		Hexagonal bolt M6 $\times$ 16	6	134			
87		Hexagonal locking nut M8	2	135			
88		Locking handle	2	136			
89		Half round head screw M8 $\times$ 25	2	137			
90	022436	Chute	1 set	138			
91		Hexagonal bolt M6 $\times$ 16	1	139			
92	022437	Spring 4	1	140			
93		Hexagonal bolt M6	2	141			
94	030708	SJ bend rod kit	1 set	142			
95		Hexagonal bolt M6 $\times$ 16	2	143			
96		Hexagonal locking nut M6	2	144			