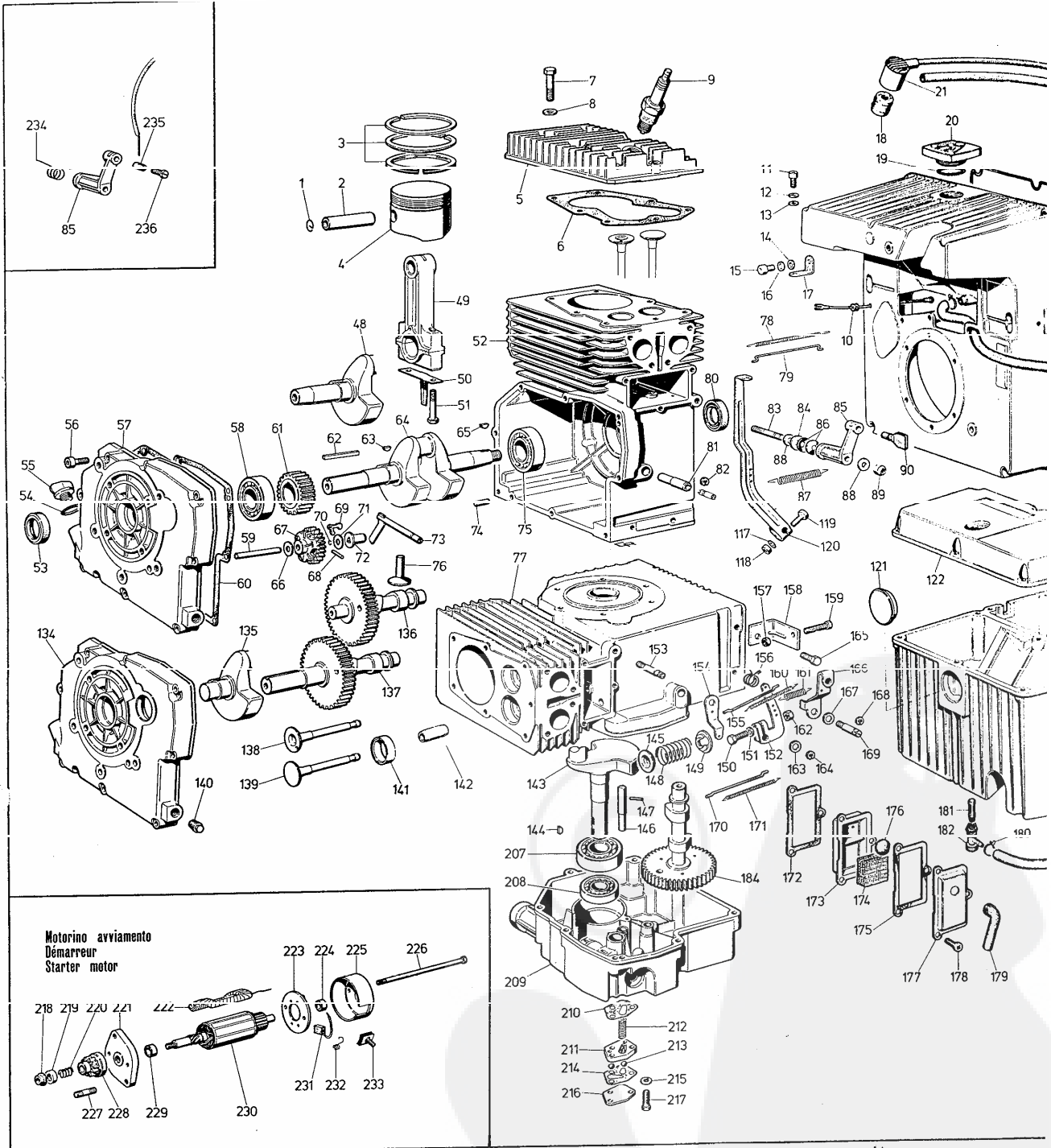
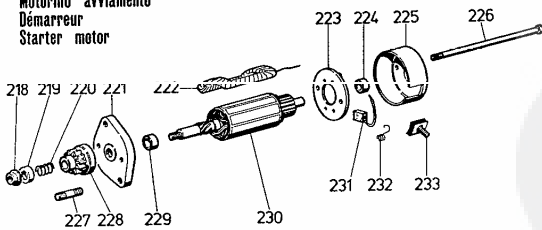


SERIE



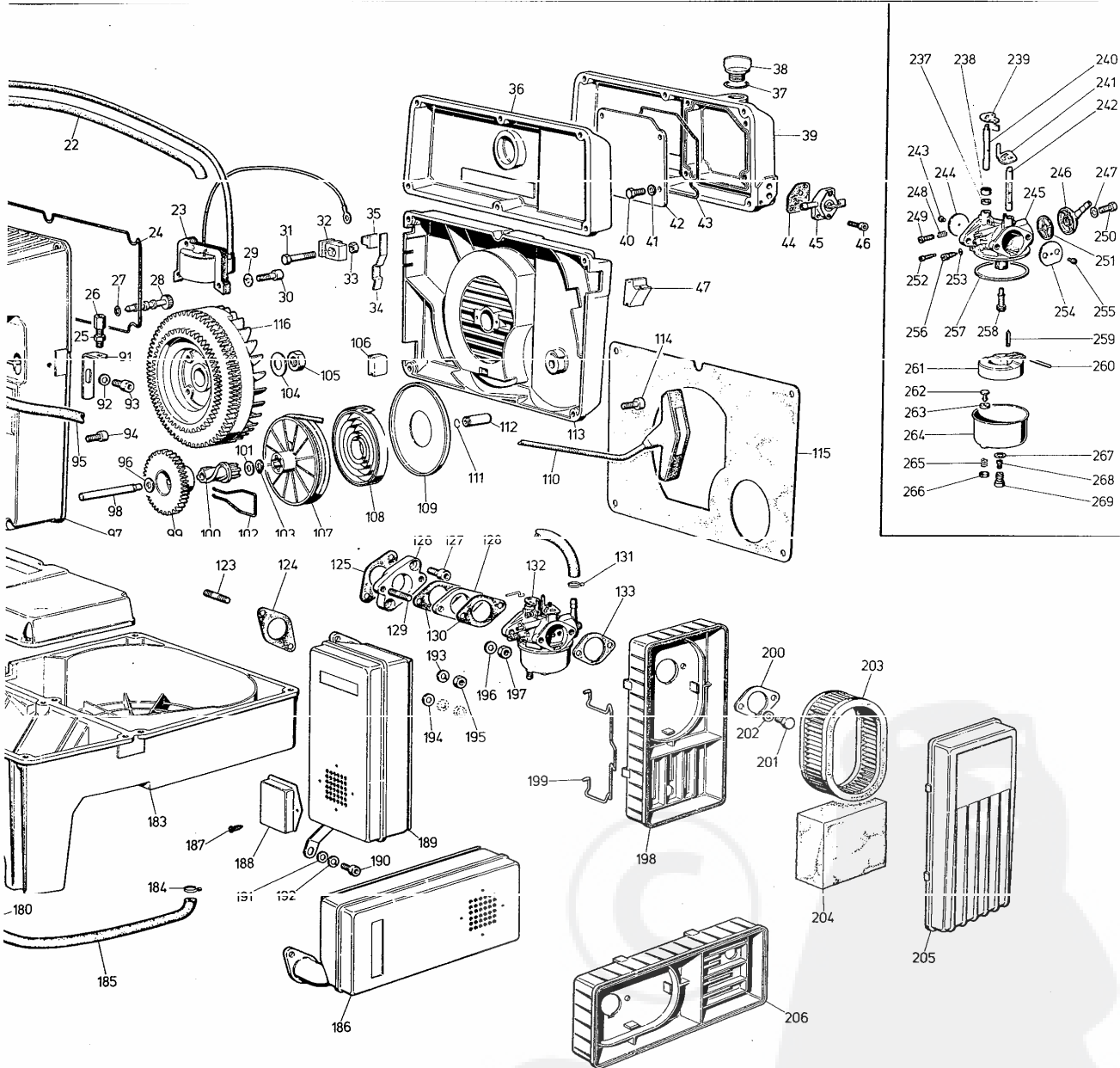
Motorino avviamento
Démarrreur
Starter motor



RICAMBI PER MOTORI STANDARD IH - IHC - IV.
PER APPLICAZIONI SPECIALI CONSULTARE IL CA-
TALOGO PRESSO I CENTRI ASSISTENZA E RICAMBI.

SPARE PARTS FOR ENGINES STANDARD IH - IHC - IV.
FOR SPECIAL APPLICATIONS SEE MASTER CATA-
LOG AT SERVICE CENTER.

IE 218



ERSATZTEILE FÜR MOTOREN STANDARD IH · IHC · IV
 FÜR SONDERANFERTIGUNGEN SIEHE ERSATZ
 TEILKATALOG BEI SERVICE WERKSTATTEN.

PIECES POUR MOTEURS STANDARD IH · IHC · IV.
 POUR LES ADAPTATIONS CONSULTER LE CATALOGUE
 AUPRES DES AGENTS SERVICE.



FIG. NO.	MATRICOLA PART. NO.	PEZZI PIECES	NOTE REMARKS	FIG. NO.	MATRICOLA PART. NO.	PEZZI PIECES	NOTE REMARKS	FIG. NO.	MATRICOLA PART. NO.	PEZZI PIECES	NOTE REMARKS
				59	180.6130.057			130	180.4775.190		
				60	180.4601.047			131	009.3630.057	2	
1	1257.019	2		61	180.4936.065			132	180.2151.192		
2	180.8480.038			62	009.2280.066		3/16"X3/16"X2"	133	180.4490.044		
3	180.8211.074			63	009.2280.047		4 X 5,5 X 16	134			
	180.8211.076		+ 0,5	64	180.1050.293		Ext. 3 SAE J609A	135			
	180.8211.076		+ 1	65	009.2280.044		4 X 4 X 8	136	180.1011.090		
4	*			66	009.7625.070		*	137			
4c	180.6500.093		Da Fig. 1 A 4	67	*			138	180.9652.045		Scarico/Exhaust Aspir./Intake
	180.6500.094		+ 0,50	67c	180.4936.074		Da Fig. 67 A 69	139	180.9652.044		
	180.6500.095		+ 1	68	*			140	180.9040.010	2	
	180.9200.158			69	*			141	090.8000.033	2	
5	180.4730.144			70	180.1300.105			142	180.4245.020	2	
6	009.1770.011	7	M8X1,25X40	71	009.7625.110			143			
7	009.7625.061	7		72	180.7200.087			144			
8	147.2100.006			73	180.5200.245			145	090.6400.029	2	
9	180.2185.374			74	180.8461.021	2		146			
10	009.9730.010		M6 X 1 X 16	75	009.3001.007			147			
11	009.7565.004			76	180.7215.050	2		148	090.5755.036	2	
12	009.7625.007			77				149	090.6400.028	2	
13	009.7625.007			77c				150			
14	009.9730.010		M6 X 1 X 16	78	180.5670.011			151			
15	009.7565.004			79	180.2163.076			152			
16	180.6370.150			80	180.1213.167		20 X 30 X 7	153			
17	070.2135.049			81	180.1580.112			154			
18	009.1200.015			82	009.1165.005			155			
19	*			83	009.6780.028		M8X1, 25X55	156			
20c	180.9032.029		Da Fig. 19 A 20	84	009.7625.061			157			
21	1450.090			85	180.5200.243			158			
22	9334.084			86	009.5715.073	2		159			
23	180.1567.110			87	180.5655.100			160			
24	180.4431.082			88	009.7626.059			161			
25	009.3240.009		Con accel. a distanza	89	009.3203.019		M 8 X 1,25	162			
26	070.9180.011		White remote throttle contr.	90	180.4904.015			163			
				91	180.6370.151			164			
				92	009.7625.007			165			
				93	009.9730.010		M 6 X 1 X 16	166			
27	009.1200.051	2		94	009.9730.119	6		167			
28c	180.8350.020		Da Fig. 27 A 28	95	180.9375.250			168			
29	009.7565.003	2		96	009.7625.110			169			
30	009.9730.005	2	M5X0,8X20	97	*			170			
31	009.1750.043		M4X0,7X25	97c	180.2569.143		Da Fig. 97 A 98	171			
32	180.1557.062			98	180.6130.059			172	180.4680.067		
33	009.3240.003			99	180.4990.065			173	180.7951.054		
34	180.5170.015		M4X0,7X3,2	100	180.5401.056			174	180.5976.003		
35	180.7195.074			101	009.7625.105			175	180.4680.067		
36	180.2750.170			102	180.5801.128			176	180.9695.013		
37				103	009.1240.002			177	180.2750.174		
38				104	009.7625.026			178	009.9790.028	3	M 5 X 0,8 X 10
39				105	009.3240.048		M 12 X 1,25 X 10	179	180.9580.023		
40				106	180.9000.076			180			
41				107	180.7100.170			181			
42				107c	180.7100.228		Da Fig. 107 A 110 + 47	182			
43				108	180.5801.127			183			
44				109	180.2750.169			183c			
45				110c	180.4055.034		Fig. 110 + 47	184			
46				111	009.1240.004			185			
47	180.4850.090			112	180.6185.007			186			
48	1050.296		P.M. Conica Conical P.T.O.	113	*			187	070.9820.069	2	
				113c	180.2750.198		Da Fig. 112 A 113	188	180.2750.172		
49	*			114	009.9730.010	10	M 6 X 1 X 16	189	180.5460.189		
49c	180.1526.051		Da Fig. 49 A 51 - 0,25	115	4431.089			190	009.9730.010		M 6 X 1 X 16
	180.1526.059		- 0,50	116	180.9880.225			191	009.7625.007		
	180.1526.060			117	009.7625.007			192	009.7565.004		
50	180.5168.034			118	009.3240.008		M 6 X 1 X 5	193	009.7565.004	2	
51	009.1760.088	2	M 6 X 1 X 40	119	009.1760.024		M 6 X 1 X 22	194	009.7625.007		
52	*			120	180.5200.242			195	009.3240.009	2	M 6 X 1 X 5
52c	180.1510.257		Fig. 52 + 18 + 141 + 142	121				196	009.7625.007	2	
				122				197	009.3240.008	2	M 6 X 1 X 5
53	180.1213.168		20 X 30 X 7	123	009.6760.006	2	M 6 X 1 X 16	198	180.7870.022		
54	009.1200.003			124	180.4501.031			199	180.4115.052	2	
55	090.9032.016			125	180.4470.014			200	2542.013		
56	009.9730.127	8	M 6 X 1 X 30	126	180.3781.056			201	009.1755.007	2	
57	*			127	009.9730.010	2	M 6 X 1 X 16	202	009.7565.003	2	
57c	180.6645.117		Da Fig. 57 A 59	128	4775.166			203	180.2175.054		
58	009.3001.007		20 X 47 X 14	129	009.6760.008	2	M 6 X 1 X 20	204	180.5496.099		



FIG. NO.	MATRICOLA PART. NO.	PEZZI PIECES	NOTE REMARKS
205	180.2750.171		
205c	180.3703.099		Da Fig.198 + 199 + 200+203+204+205
206			
207			
208			
209			
210			
211			
212			
213			
214			
215			
216			
217c			
217			
218			
219			
220			
221			
222			
223			
224			
225			
226			
227			
228			
229			
230			
231			
232			
233			
234	180.5680.093		
235	090.6000.031		M 5 X 0.8
236	009.9790.023		
237	180.4775.206		
238	180.2145.036		
239	*		
240	*		
240c	180.6100.033		Fig.239 + 240 + 243 + 244
241	*		
242	*		
242c	180.6100.034		Fig.241 + 242 + 254 + 255
243	*		
244	*		
245	*		
246	180.6491.020		
247	180.4775.209		
248	180.5801.160		
249	009.9820.095		
250	180.1901.034		
251	180.3730.048		
252	180.4126.035		Ø 35
253	009.1200.164		
254	*		
255	*		
256	009.9820.100		
257	*		
258	180.3588.030		
259	180.8350.021		
260	180.6231.063		
261	180.4105.021		
262	*		
263	*		
264	180.9710.075		
265	*		
266	*		
266c	180.7195.100		Fig. 262 + 263 + 265 + 266
267	180.4775.208		
268	4126.051		Ø 88
269	180.8965.040		

SERIE GUARNIZIONI/GASKET SET:

180.8180.088

BLOCCO MOTORE/SHORT BLOC:

180.1560.156 P.M./P.T.O. 3 SAE J 609 a
 180.1560.155 P.M./P.T.O. Conica/Conical

* Non fornito sciolto
 C-complessivo/assembly

