

RICAMBI  
PIECES  
SPARE PARTS  
ERSATZTEILE  
REPUESTOS

5LD825-4  
5LD825-4/L  
5LD930-4

LC  
FAB  
REGG  
MAC

LOM  
FABBI  
REGG  
MAC

SER  
POC  
GAS  
DICH  
SERIE  
SER  
SERI  
POCI  
GASI  
RICA  
DICH  
PIEC  
MAI  
WAI  
REPL  
RICAM  
PIEC  
MAIN  
WAR  
REPU

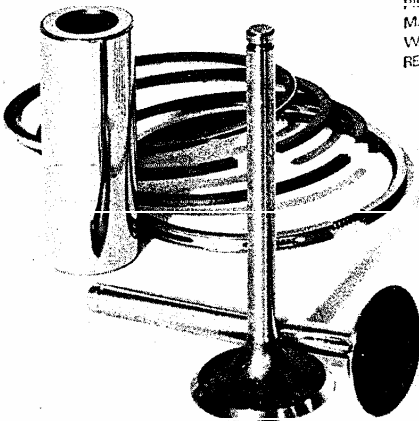
SERVICE

LOMBARDINI  
FABBRICA ITALIANA MOTORI s.p.a.  
REGGIO EMILIA, ITALIA  
MADE IN ITALY

SERIE GUARNIZIONI  
POCHETTE JOINTS  
GASKET SET  
DICHTUNGSATZ  
SERIE JOINTS

RICAMBI PRIMO IMPIEGO  
PIECES POUR L'ENTRETIEN  
MAINTENANCE SPARE PARTS  
WARTUNG -ERSATZTEILE  
REPUESTOS DE PRONTO EMPLEO

REPUESTOS ORIGINALES  
ORIGINAL ERSATZTEILE  
GENUINE SPARE PARTS  
PIECES D'ORIGINE  
RICAMBI ORIGINALI



LOMBARDINI MOTORI

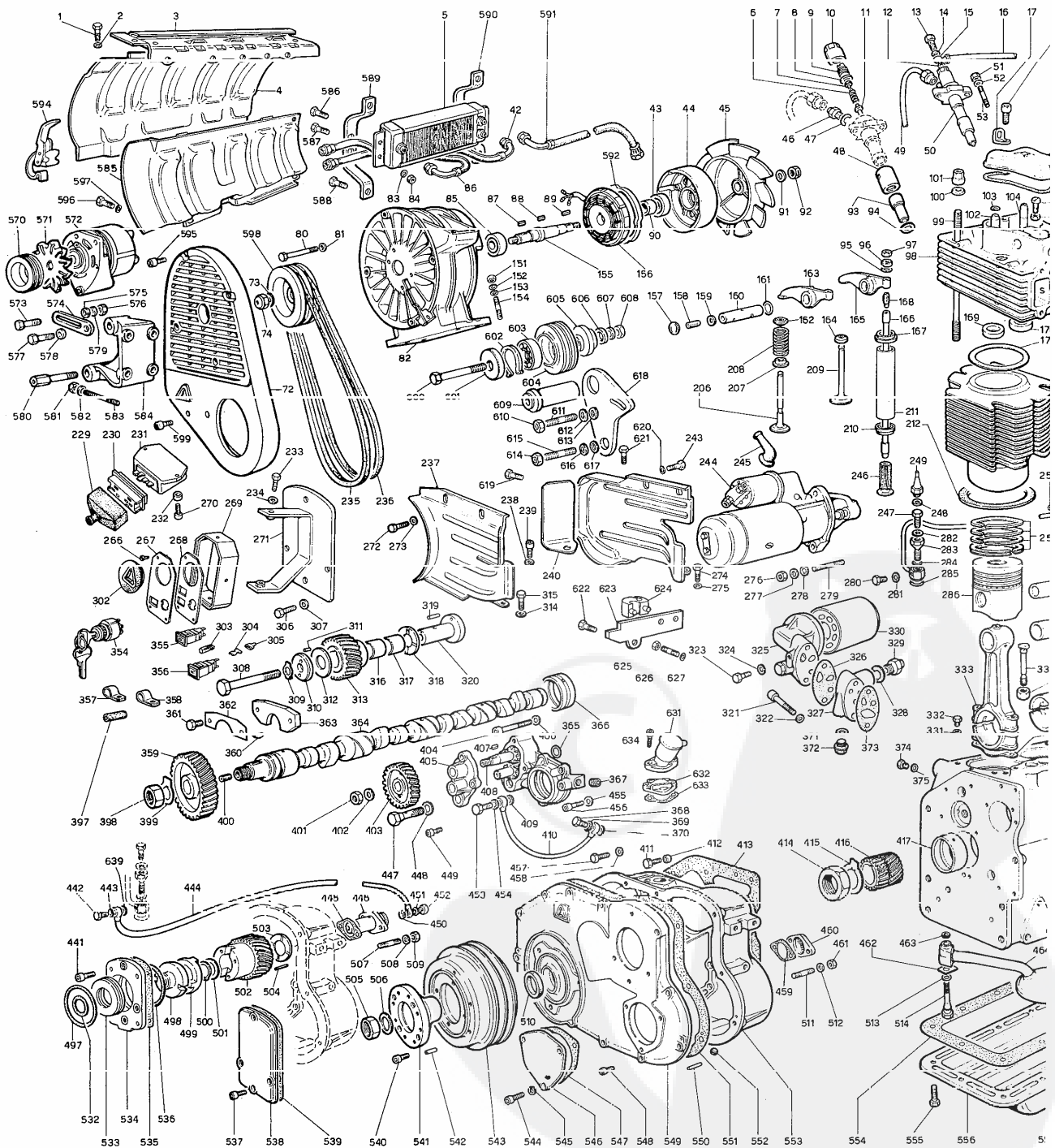
LOMBARDINI MOTORI

RICAMBI PER MOTORE STANDARD.  
PER APPLICAZIONI SPECIALI CONSULTARE  
IL CATALOGO PRESSO I CENTRI ASSISTENZA  
E RICAMBI.

5LD 825-4  
5LD 825-4/L  
5LD 930-4

PIECES POUR DES MOTEURS STANDARD.  
POUR LES ADAPTATIONS CONSULTER  
LE CATALOGUE AUPRES  
DES AGENTS SERVICE.

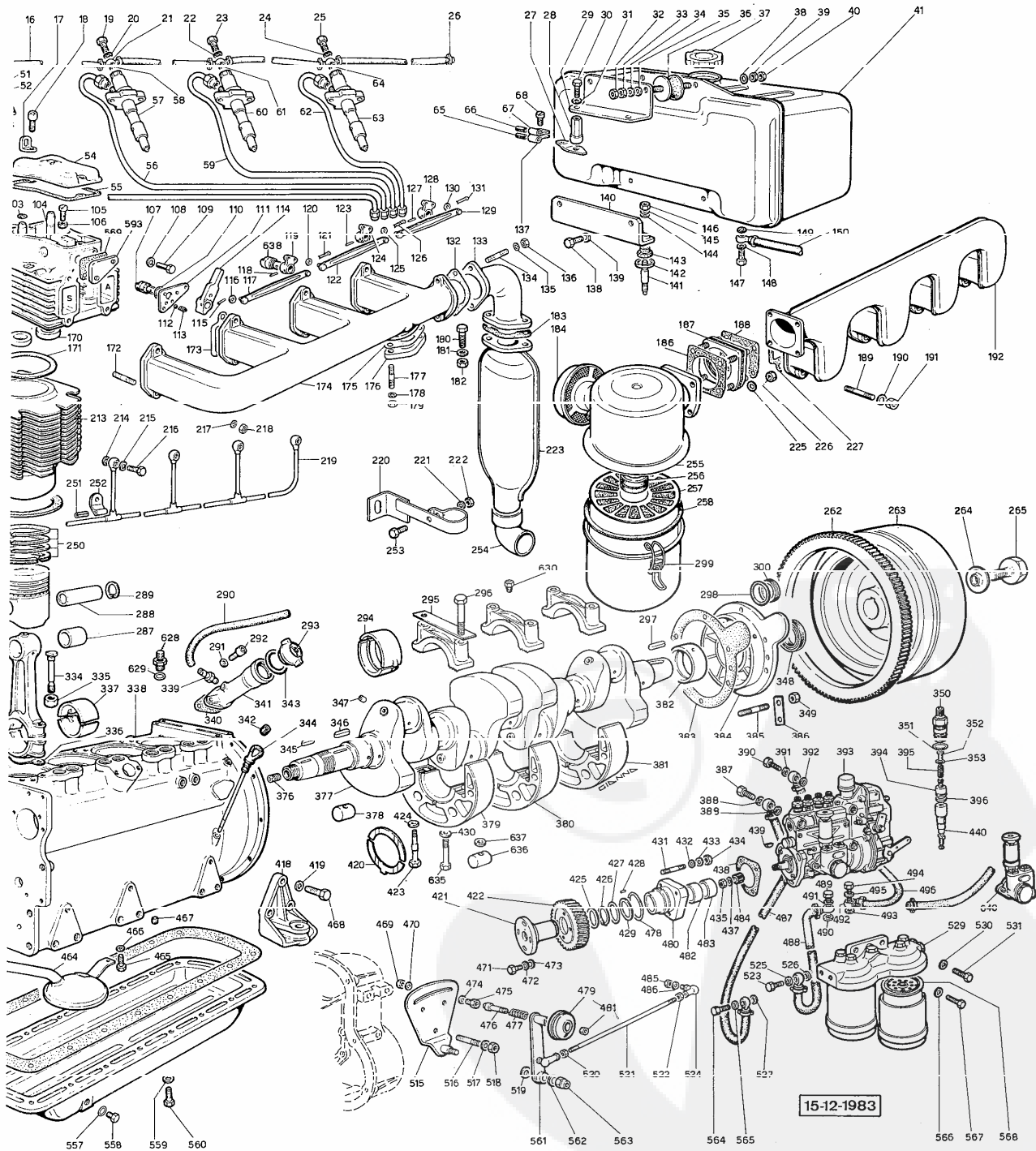
SPARE PARTS FOR STANDAR  
FOR SPECIAL APPLICATIONS  
CATALOG AT SERVICE CENTE



STANDARD ENGINE.  
 APPLICATIONS SEE MASTER  
 PARTS CATALOGS.

ERSATZTEILE FÜR STANDARD-MOTOREN.  
 FÜR SONDERANFERTIGUNGEN SIEHE  
 ERSATZTEILKATALOG BEI SERVICE  
 WERKSTATTEN.

REPUESTOS PARA MOTORES STANDARD.  
 PARA APLICACIONES VEASE CATALOGO  
 EN LAS ESTACIONES SERVICE.





Gr.5-4

INFORMATICA COMPONENTI

PARTS DATA SHEET

10.06.1984 INFORMATIQUE PIECES

MOTORI STANDARD TIPO/STD.ENGINES TYPE/MOTEURS STD.TYPE

5 LD 825-4 5 LD825-4/L 5LD930-4

VEDI/SEE/VOIR

Table with 2 columns: Description and Part Number. Includes items like TAVOLA RICAMBI MATR., SPARE PARTS TABLE P.NO., LIBRETTO USO E MANUTENZIONE, etc.

NOTE/REMARKS/REMARQUES

- List of technical notes and abbreviations: F - ALTA MOVIMENTAZIONE/FAST MOVING PART/HAUTE MOUVEMENT, S - MEDIA MOVIMENTAZIONE/MEDIUM MOVING PART/MOYEN MOUVEMENT, D - BASSA MOVIMENTAZIONE/SLOW MOVING PART/BAS MOUVEMENT, etc.

SERIE GUARNIZIONI/GASKET SET ..824.8180.065 X 5LD825-4 5LD825-4/L 934.8180.070 X 5LD930-4
SERIE ANELLI/O.RING SET .....830.8150.009 - 672.8150.011
SERIE LAMIERINI/LOCK.SET .....830.8190.011

Table with 3 columns: Description, Engine Type, and Part Number. Includes items like BLOCCO MOTORE, SHORT BLOCK, 8240.1560.077, etc.

A 6



1	9.1760.001	F C	10	1	
2	9.7625.059	D	10	7	
3	824.5066.046	S		1	
4	824.5066.044	S		1	
5	824.7350.014	S C		1	RADIATORE OLIO/OIL RADIATOR
6	260.5300.038	S		4	
7	260.8010.002	D		4	
8	260.4370.007	D	10	4	
9	260.1570.016	D		4	
10	260.4130.053	D		4	
11	260.1420.012	D		4	
12	9.4670.003	FV C	10	1	
13	9.1900.002	FV C	10	1	
14	9.4670.003	FV C	10	1	
15	9.7270.102	N	10	1	
16	2780.9571.032	D		1	
17+	904.8506.003	S AC	10	4	
13+	9.9730.027	FV C	10	8	
19	9.1900.002	FV C	10	1	
20	9.4670.003	FV C	10	1	
21	9.7270.101	N	10	1	
22	9.4670.003	FV C	10	1	
23	9.1900.002	FV C	10	1	
24	9.4670.003	FV C	10	1	
25	9.1900.002	FV C	10	1	
26	9.3630.004	F C	10	8	
27	276.8545.031	D		2	
28	276.3206.045	FVIC	10	2	
29	2760.8865.091	S C		1	
30	9.1790.027	S	10	2	
31	9.7565.013	FV C	10	2	
32	9.3240.020	F C	10	2	
33	9.3240.018	F C	10	2	
34	9.7565.007	FV C	10	2	
35	9.7625.012	FV C	10	2	
36	9.8635.059	FV C		2	
37+	276.9043.015	FV C		1	
38	9.7565.007	FV C	10	2	
39	9.3240.018	F C	10	2	
40	9.3240.020	F C	10	2	

41+37=  
 =276.8101.032 S C 1 SERBATOIO COMPLETO  
 1 COMPLET FUEL TANK

42	823.9485.067	FV C		1	
43	9.3003.047	FV C		1	
44	276.2086.061	S A		1	X ALTERNAT. 12 V 21 A
44	276.2086.066	S A		1	X ALTERNAT. 12 V 14 A
45	823.9718.077	S C		1	
46	260.7300.035	D		4	
47	260.4650.037	S	50	4	
48	276.4130.062	D		4	
49	824.9375.160	S C		1	
50	276.6615.011	FV C		1	STD.
50	276.6615.029	S C		1	BOSCH TYPE
51	9.3240.018	F C	10	8	
52	9.7565.007	FV C	10	8	
53+	9.6780.057	FV C	10	6	

54+17+18=  
 =276.2125.081 S IC 4

55+	276.4680.040	FV C	50	4	
56	824.9375.159	S C		1	

A 7

57	276.6615.011	FV C	1	STD.
58	276.6615.029	S C	1	BOSCH TYPE
58	9.4670.003	FV C 10	1	
59	824.9375.158	S C	1	
60	276.6615.011	FV C	1	STD.
61	276.6615.029	S C	1	BOSCH TYPE
61	9.4670.003	FV C 10	1	
62	824.9375.157	S C	1	
63	276.6615.011	FV C	1	STD.
64	276.6615.029	S C	1	BOSCH TYPE
64	9.4670.003	FV C 10	1	
65	276.5400.046	S	10	2
66	276.5400.046	S	10	2
67	276.3616.018	S	10	2
68	9.9790.011	D	10	2
72	823.6927.070	S C	1	STD.
72	933.6927.080	S C	1	X MOTORI CON ALTERNATORE ESTERNO ENGINES WITH EXTERNAL ALTERNATOR
73	9.3203.015	S	10	1
74	9.7625.055	FV C 10	1	
80	9.1760.068	N	10	4
81	9.7565.004	FV C 10	4	
82	823.8565.034	S	1	
83	9.7565.007	FV C 10	4	
84	9.3240.018	F C 10	4	
85	9.3002.022	D	1	
86	824.9485.069	FV C	1	
87	9.2200.004	FV C 10	1	
88+	9.2200.004	FV C 10	1	SOLO PER SOFFIANTE CON ALTERNATORE ONLY FOR BLOWER WITH ALTERNATOR
89	9.2200.004	FV C 10	1	
90+	823.3450.047	S C 10	1	X ALTERNAT. 12 V 14 A
90	823.3450.049	S C 10	1	X ALTERNAT. 12 V 21 A
90	823.3450.048	S C 10	1	X SOFFIANTE SENZA ALTERNATORE BLOWER WITHOUT ALTERNATOR
91	9.7625.055	FV C 10	1	
92	9.3203.015	S	10	1
93	276.6531.010	FVIC	4	STD.
93	276.6531.096	SV C	4	BOSCH TYPE
94	9.4670.009	FV C 10	4	0,50
94	9.4670.010	FV C 10	4	1,00
94	9.4670.011	FV C 10	4	1,50
95+	276.8335.028	F C 10	12	
95	276.8335.084	N	4	
96+	276.2135.052	FV C 10	4	
97+	9.3240.010	F C 10	8	
98+53+95+96+97+102+				TESTA COMPLETA
103+104+105+106+157+				COMPLET CYLINDER HEAD
158+159+160+161+162+				
163+164+165+168+169+				
170+172+189+206+207+				
208+209+569+593+644=				
	=822.9200.137	SV C	4	
98+53+102+103+104+				TESTA CON SEDI E GUIDE
157+169+170+172+189+				CYL.HEAD WITH SEATS AND GUIDES
569+593-				
	=822.9200.138	S C	4	
99	832.6850.082	FV C	16	
100	9.7625.055	FV C 10	16	
101	276.3206.016	FV C 10	16	

A 8

102+	276.4845.057	FV CR10	4	STD. GUIDA V.SCAR./EXHAUST V.GUIDE
;;	276.4845.041	FV CR10	4	+0,50
103+	276.1160.004	FV C 10	8	
104+	276.4845.056	FV CR10	4	STD. GUIDA V.ASPIR./INLET V.GUIDE
;;	276.4845.040	FV CR10	4	+0,50
105+	715.9820.080	S 10	4	
106+	9.3240.008	F C 10	4	
107+	276.6095.007	S	3	
108	9.7555.004	S C 10	8	
109	9.1760.005	F C 10	8	
110+	9.1200.040	FV C 10	4	
111+	276.6370.082	S	4	
112+	9.8245.004	S 10	1	
113+	276.5695.002	S 10	1	

114+107+110+111+112+ DECOMPRESSIONE COMPLETA  
 113+115+116+117+118+ COMPLET DECOMPRESSION CONTROL  
 119+120+121+122+123+  
 124+125+126+127+128+

129+130+131+638=  
 =8240.4873.010 S C 1

114+	276.5203.081	S	1	
115+	9.8430.054	S 10	1	
116+	9.7625.005	FV C 10	1	
117+	276.9245.040	S 10	1	
118+	9.8430.034	FVIC 10	1	
119+	276.5203.082	S	1	
120+	9.7625.005	FV C 10	2	
121+	9.2800.003	F C 10	1	
122+	277.9245.071	D	1	
123+	9.8430.034	FVIC 10	1	
124+	276.5203.082	S	1	
125+	9.7625.005	FV C 10	2	
126+	9.2800.003	F C 10	4	
127+	9.8430.034	FVIC 10	1	
128+	2760.5200.190	S	1	
129+	277.9245.071	D	1	
130+	9.7625.005	FV C 10	1	
131+	9.2800.003	F C 10	1	
132+	276.4500.079	FV C 10	1	
133	2760.2940.087	F C	1	
134	9.6780.008	FV C 10	2	
135	9.7565.007	FV C 10	2	
136	9.3240.019	F C 10	2	
137	276.3616.018	S 10	2	
138	9.1780.003	F C 10	2	
139	9.7565.011	FV C 10	2	
140	8320.8866.002	S	1	
141	276.6487.004	S C 10	2	
142	276.7980.042	S C 10	2	
143	276.8960.012	FV C 10	2	
144	9.7565.007	FV C 10	2	
145	9.7625.012	FV C 10	2	
146	9.3240.020	F C 10	2	
147	9.1900.010	FV C 10	1	
148	9.4670.012	FV C 10	1	
149	9.4670.012	FV C 10	1	
150	2760.9373.098	N	1	

1 DA SERBATOIO A POMPA ALIMENT.  
 FUEL TANK TO FEED PUMP

151	9.3240.033	F C 10	4	
152	9.7625.019	S C 10	4	
153	9.7565.011	FV C 10	4	
154+	9.6800.010	S C 10	4	

A 9

FIG. NO.	MATRICOLA PART NO.	Q.TA Q.TY	GR. 5-4 CYL. PAG. 5
----------	--------------------	-----------	---------------------

155	823.1105.016 F C	1	
156+	9040.1157.039 FVIC	1	12 V 14 A
..	9040.1157.019 F IC	1	12 V 21 A
157+	9.8990.011 FV C 10	4	
153+	9.9730.008 S 10	4	
159+	9.4670.001 FV C 10	4	
160+	276.6045.022 FV C	4	
161+	9.1200.030 FV C 10	4	
162+	276.6410.023 FV C 10	8	
163+95+96+97+105+			GRUPPO BIANCO-COMPLETO
106+158+159+160+161+			ROCKER ARMS ASSEMBLY
165+168=			
	=276.4330.019 F C	4	
163+95+96+97+168=			
	=276.1540.065 F C	4	LATO SCARICO/EXHAUST SIDE
164+	276.2135.063 FV C 10	4	
165+97+168=			
	=276.1540.066 F C	4	LATO ASPIRAZIONE/INLET SIDE
166	832.1410.029 FVIC 10	8	
167	276.1261.046 FVBC 10	8	
	672.1261.069 FVAC 10	8	
168+	276.9850.045 FV C	8	
169+	822.8000.073 FV CR10	4	SEDE V. SCARICO/EXHAUST V. SEAT
170+	822.8000.072 FV CR10	4	SEDE V. ASPIRAZ./INLET V. SEAT
171+	822.4730.104 F C 10	4	0,70 X 5LD825-4 - 825-4/L
..	832.4730.023 F C 10	4	0,80 .. ..
..	822.4730.105 F C 10	4	0,90 .. ..
..	822.4730.094 F C 10	4	1,00 .. ..
..	822.4730.136 F C 10	4	1,10 .. ..
..	933.4730.100 S C 10	4	0,70 X 5LD930-4
..	933.4730.101 S C 10	4	0,80 .. ..
..	933.4730.102 S C 10	4	0,90 .. ..
..	933.4730.106 S C 10	4	1,00 .. ..
..	933.4730.137 S C 10	4	1,10 .. ..
172+	9.6780.057 FV C 10	8	
173+	276.4420.007 FV C 10	4	
174	278.2485.036 S C	1	STD.
..	2780.2486.012 D	1	PROLUNGATO/EXTENDED
175+	276.4500.079 FV C 10	1	
176	277.6300.018 D	1	
177	9.6780.008 FV C 10	2	
178	9.7565.007 FV C 10	2	
179	9.3240.019 F C 10	2	
180	9.1770.006 F C 10	2	
181	9.7565.007 FV C 10	2	
182	9.3240.019 F C 10	2	
183+	276.4500.079 FV C 10	1	
184+	276.2135.093 F IC	1	
186+	824.4701.055 S	50	1
187	824.8636.028 FV C	1	1
188+	824.4701.055 S	50	1
189+	9.6780.049 S	10	8
190	9.7565.007 FV C 10	8	
191	9.3240.018 F C 10	8	
192	824.2486.040 S C	1	
193	9.1770.002 F C 10	2	
200	9.7565.007 FV C 10	2	
201	9.3240.018 F C 10	2	
202	9.7565.007 FV C 10	2	

A10



FIG. NO. MATRICOLA PART NO. Q.TA Q.TY GR.5-4 CYL. PAG. 6

FIG. NO.	MATRICOLA PART NO.	Q.TA	Q.TY	GR.5-4 CYL.	PAG. 6
204	9.7565.004	FV C 10	1		
205	9.1760.001	F C 10	1		
206+	822.9685.053	FV CR10	4	VALVOLA SCARICO/EXHAUST VALVE	
207+	276.6410.020	FV C 10	8		
208+	276.5755.040	FV C 10	8		
209+	822.9652.041	FV CR10	4	VALVOLA ASPIRAZIONE/INLET VALVE	
210	276.1261.046	FVBC 10	8		
,,	672.1261.069	FVAC 10	8		
211	832.9520.032	FVBC	8		
,,	822.9520.050	FVAC	8		
212+	822.4410.055	S	10	4 0,50 X 5LD825-4 - 825-4/L	
,,	933.4410.054	S	10	4 0,50 X 5LD930-4	
213	832.2380.085	FV C	4	X 5LD825-4 - 825-4/L	
,,	933.2380.134	SV C	4	X 5LD930-4	
214	9.4670.003	FV C 10	4		
215	9.4670.003	FV C 10	4		
216	9.1900.061	FV C 10	4		
217	9.7565.007	FV C 10	8		
218	9.3240.019	F C 10	8		
219	824.9455.063	S	1		
220	2760.8546.014	S	1		
221	9.7565.011	FV C 10	1		
222	9.3240.033	F C 10	1		
223	2830.5461.047	FV C	1		
225	9.7555.007	FV C 10	8		
226	9.3240.018	F C 10	8		
227+	276.4420.008	FV C 10	4		
228+	9.9730.036	D	10		
229+	276.2145.014	F AC	1		
230+	276.6740.088	FVAC 10	1	X REGOLAT./REGULAT.SAPRISA	
,,	276.6740.089	FVAC 10	1	X REGOLAT./REGULAT.DUCATI	
,,	276.6740.090	FVAC 10	1	X REG.DUCATI CON SPIA CAR.BATTERIA WITH CH.BATTERY LIGHT	
231+	2760.7362.018	FVIC	1	12 V 14-21 A	
,,	2760.7362.022	FVIC	1	12 V 14-21 A CON SPIA CAR.BATTERIA WITH CH.BATTERY LIGHT	
232	276.3526.010	D	10	2	
233	9.1760.032	S	10	2	
234	9.7625.092	SV C 10	2		
235	823.2440.088	FV C 2	1	X 5LD825-4 - 825-4/L	
,,	933.2440.125	SV C 2	1	X 5LD930-4	
,,	933.2440.139	SV C 2	1	X MOTORI CON ALTERNATORE ESTERNO ENGINES WITH EXTERNAL ALTERNATOR	
236	823.2440.088	FV C 2	1	X 5LD825-4 - 825-4/L	
,,	933.2440.125	SV C 2	1	X 5LD930-4	
,,	933.2440.139	SV C 2	1	X MOTORI CON ALTERNATORE ESTERNO ENGINES WITH EXTERNAL ALTERNATOR	
237	823.5066.041	S	1		
238	9.7565.007	FV C 10	3		
239	9.9730.024	FV C 10	3		
240	832.3350.031	S	3		
241	824.5066.039	S	1		
243	9.1760.001	F C 10	2		
244+88+90+156+230+ 231+229+270=				KIT AVV.ELETTRICO/ELECTRIC STARTING 12 V 14 A CON SPIA CARICA BATTERIA WITH CHARG.BATTERY LIGHT	
	=8220.8888.650	D	*	1	
244+	278.5840.067	FVIC	1	12 V HP 2,5 BOSCH TYPE	
,,	278.5840.013	S	1	12 V HP 4 BOSCH TYPE	
245	2830.6491.005	FV C	1		
246	276.7215.028	FV C	8		
247	9.8965.003	FV C 10	1		

A 11

FIG. NO.	MATRICOLA PART NO.	Q.TA Q.TY	GR. 5-4 CYL. PAG. 7
248	276.4670.014 FV C 10	1	
249	9040.6745.014 FVAC	1	
250+	832.8210.067 FV C 10	4	STD. X 5LD825-4 - 825-4/L
,,	832.8210.068 FV CR10	4	+0,50 ,, ,,
,,	832.8210.069 F CR10	4	+1,00 ,, ,,
,,	933.8211.014 SV C 10	4	STD. X 5LD930-4
,,	933.8211.015 SV CR10	4	+0,50 ,,
,,	933.8211.016 S CR10	4	+1,00 ,,
251	276.5390.008 D 10	2	
252	2760.3617.023 S 10	2	
253	9.1780.031 F C 10	1	
254	2910.9170.028 F C	1	
255+184+256+257+258+299=			FILTRO ARIA CON CAPPELLOTTO AIRCLEANER WITH AIR INLET COVER
	=824.3703.048 S C	1	
256+	9.1261.056 SV C 10	1	
257+	276.5496.044 FV C	1	MASSA FILTRANTE/FILTERING ELEMENT
258+	276.4776.029 D 10	1	
259	2760.8330.008 S 10	1	
262+	276.2816.010 SV C	1	
263+262=			VOLANO+CORONA/FLYWHELL+GEAR RING
	=276.9881.054 S C	1	STD. X 5LD325-4 - 930-4
	=2760.9883.093 D	1	STD. X 5LD325-4/L
264	276.5111.005 FV C 10	1	
265	276.1861.045 S	1	
266	9040.9820.087 S 10	4	
267	9040.5981.019 S	1	
268	9040.5981.018 S	1	
269	9040.2900.060 S A	1	
270+	9.9730.028 FV C 10	2	
271	2760.8902.095 N	1	
272	9.1760.001 F C 10	2	
273	9.7625.061 S C 10	2	
274	9.1770.002 F C 10	1	
275	9.7565.007 FV C 10	1	
276	9.3240.048 F C 10	2	
273	9.7565.013 FV C 10	2	
279+	9.6820.014 S 10	2	
280	276.9065.005 D 10	1	
281	9.4670.015 FV C 10	1	
282	9.4670.015 FV C 10	1	
283	822.7330.128 FV C	1	
284	9.4670.007 N 10	1	
285	9.1200.033 FV C 10	1	
286+250+288+289=			
	=822.6500.154 FV C	4	STD. X 5LD825-4 - 825-4/L
	=822.6500.155 FV CR	4	+0,50 ,, ,,
	=822.6500.158 F CR	4	+1,00 ,, ,,
	=933.6500.159 SV C	4	STD. X 5LD930-4
	=933.6500.160 SV CR	4	+0,50 ,,
	=933.6500.161 S CR	4	+1,00 ,,
287+	832.1630.011 FV CR	4	
288+	832.8480.027 S C	4	
289+	9.1240.031 S 10	8	
290	824.9400.057 D	1	
291	9.7555.007 FV C 10	2	
292	9.9730.026 FV C 10	2	
293	822.9032.027 FV C	1	

A12

PIE. NO.	MATRICOLA PART NO.	J.TA Q.TY	GR.5-4 CYL. PAG. 8
-------------	-----------------------	--------------	-----------------------

294	822.1611.061	FV C	3	STD. X SUPP.CENTRALE/MIDDLE SUPP.
„	822.1611.073	FV CR	3	-0,25
„	822.1611.074	FV CR	3	-0,50
„	822.1611.075	FV CR	3	BARENABILE/BEARING REAMED
295+	822.5111.074	FV C 10	3	
296+	9.1780.029	F C 10	6	
297+	9.2280.056	FV C 10	1	
298+	9.1200.036	FV C 10	1	
299+	276.4115.048	F C 10	2	
300+	276.2710.039	S	10	
302	9040.2615.021	S C	1	
303	9040.5175.119	N A	2	
304	7100.9180.051	N 10	4	
305	2118.047	N 10	4	
306	9.1770.004	F C 10	4	
307	9.7565.007	FV C 10	4	
308	9.1861.044	S 10	1	
309	276.5111.003	S 10	1	
310	276.7670.084	N	1	
311	9.8430.036	FV C 10	1	
312	276.3495.040	S 10	1	

313+316+317=  
=276.4935.048 S 1 INGRANAGGIO INTERMEDIO  
1 INTERMEDIATE GEAR

314	9.7565.007	FV C 10	1	
315	9.1770.002	F C 10	1	
316+	276.1685.024	SV C	1	
317+	276.1685.024	SV C	1	
318	276.1300.067	S	1	
319	276.4320.021	S 10	1	
320	276.6130.025	S C	1	
321	9.9730.040	S 10	2	
322	9.7555.007	FV C 10	2	
323	9.8965.021	FV C 10	1	
324	9.4670.003	FV C 10	1	

325+330=  
=276.3740.032 FVIC 1 FILTRO OLIO COMPLETO  
1 COMNPLET OIL FILTER

325+	276.9220.018	S AC	1	
326+	832.4730.024	S 10	1	
327	832.6371.063	S	1	
328	9.4670.019	S 10	2	
329	832.5953.036	SV C 10	2	
330+	276.2175.036	FVAC	1	CARTUCCIA OLIO/OIL F.ELEMENT
331+	9.4670.003	FV C 10	1	
332+	9.8965.023	S 10	1	

333+287+334+335=  
=832.1525.096 F C 4

334+	270.1860.007	FV C 10	8	
335+	9.3203.034	FVIC 10	8	
336	.....			
337	291.1640.045	FV C	4	STD. X BIELLA/CONNECTING ROD
„	291.1640.048	FV CR	4	-0,25
„	291.1640.049	SV CR	4	-0,50

338+279+298+300+331  
332+342+374+375+385+  
412+467+628+629=  
=824.1510.177 D C 1 X 5LD825-4 - 825-4/L  
=934.1510.180 D C 1 X 5LD930-4

A13

FIG. MATRICOLA Q.TA GR.5-4 CYL.  
 NO. PART NO. Q.TY PAG. 9

339	822.7301.036	S C 10	1	
340+	276.4775.080	N 50	1	
341	824.6902.033	FV C	1	
342+	9.9765.009	S	1	
343	.....		1	
344	824.1400.108	FV C 10	1	STD. X 5LD825-4 - 825-4/L
,,	9340.1400.123	D C	1	STD. X 5LD930-4
,,	934.1400.115	N	1	X PORT.PROF./DEEP OIL PAN (MM 180)
345+	9.2280.056	FV C 10	1	
346+	9.2280.056	FV C 10	1	
347+	276.9000.028	FV C 10	8	
348+	9.1213.135	FV C 10	1	
349	9.3240.016	F C 10	6	
350	271.7265.008	D	4	
351	9.1200.031	FV C 10	4	
352	271.7470.003	S	4	
353	271.8335.029	S 10	4	
354	2760.5041.020	FV C	1	
355	9040.6612.063	S A	1	
356	9040.6612.064	S A	1	
357	2830.3617.016	S 10	1	
358	5000.3617.021	S 10	1	
359	276.4910.019	D	1	
360	9.2280.042	FV C 10	1	
361	9.1770.005	F C 10	2	
362	276.5111.007	S 10	1	
363	276.6275.057	S C	1	
364	278.1011.013	S C	1	
365+	9.1200.033	FV C 10	1	
366	276.1600.055	F IC	1	STD. X ALBERO CAMME/CAMSHAFT
,,	276.1600.056	F ICR	1	-0,25
,,	276.1600.057	F ICR	1	-0,50
,,	276.1600.058	S ICR	1	-1,00
,,	276.1600.059	S ICR	1	+1,00 SU DIAMETRO ESTERNO ON EXTERNAL DIAMETER
367+	9.9765.055	D 10	1	
368	9.1900.006	S I 10	1	
369	9.4670.003	FV C 10	1	
370	9.4670.003	FV C 10	1	
371	276.4670.014	FV C 10	1	
372	9.9027.007	N	1	
373+	832.4730.024	S 10	1	
374+	9.8965.021	FV C 10	1	
375+	9.4670.003	FV C 10	1	
376+	9.9765.108	N 10	1	
377+297+345+346+347+				
376=	=824.1050.187	S C	1	
378+	822.5957.003	SV C 10	3	
379+295+296+378+423+				SUPPORTO CENTRALE LATO DISTRIB.
424+430+630+635+636+				GEAR SIDE MIDDLE SUPPORT
637=	=823.8660.039	FV C	1	
380+295+296+378+423+				SUPPORTO CENTRALE MEDIANO
424+430+630+635+636+				CENTRAL MIDDLE SUPPORT
637=	=823.8660.040	FV C	1	

A14

FIG. MATRICOLA Q.TA GR.5-4 CYL. PAG.10  
 NO. PART NO. Q.TY

381+295+296+378+423+  
 424+430+630+635+636+  
 637=

SUPPORTO CENTRALE LATO VOLANO  
 FLYWHEEL SIDE MIDDLE SUPPORT

=824.8660.041 SV C 1

332 822.1611.078 FV C 1 STD. LATO VOLANO/FLYWHEEL SIDE  
 ,, 822.1611.062 FV CR 1 -0,25 ,,  
 ,, 822.1611.063 FV CR 1 -0,50 ,,  
 ,, 822.1611.064 FV CR 1 BARENABILE/BEARING REAMED  
 383+ 276.4701.013 S 50 1

384+348+630=  
 =824.8676.094 FV C 1

385+ 9.6780.015 S C 10 6  
 386 276.6330.059 S 10 4  
 387 9.1900.015 FV C 10 1  
 388 9.4670.017 FV C 10 1  
 389 9.4670.017 FV C 10 1  
 390 9.1900.015 FV C 10 1  
 391 9.4670.017 FV C 10 1  
 392 9.4670.017 FV C 10 1  
 393 824.6590.056 S 1 BOSCH TYPE X 5LD825-4 - 930-4  
 ,, 824.6590.061 D 1 BOSCH TYPE X 5LS825-4/L  
 394 500.9672.012 F C 4 BOSCH TYPE  
 395 271.5755.034 S 10 4  
 396 271.4760.015 D 10 4  
 397 2790.5400.060 N 2  
 398 9.3260.059 S 10 1  
 399 276.5111.025 F C 10 1  
 400 9.9765.018 S 10 1  
 401 9.3240.043 S 10 1  
 402 9.7701.009 D 10 1  
 403 276.4935.034 S C 1  
 404 9.9730.111 S C 10 1  
 405+ 823.2650.013 S C 1  
 406 9.7555.007 FV C 10 1  
 407+ 9.2200.002 S 10 1

408+365+367+405+407+  
 455+456=  
 =824.6605.051 S C 1

POMPA OLIO COMPLETA  
 COMPLET LUB.OIL PUMP

409 9.4670.003 FV C 10 1  
 410 278.9485.023 D 1  
 411 9.1770.010 S 10 2  
 412+ 276.1970.073 S 10 2  
 413+ 278.4680.038 N 50 1  
 414 276.3206.018 FV C 10 1  
 415 276.5111.004 S 10 1  
 416 822.4936.071 S IC 1  
 417 822.1611.079 FV C 1 STD. LATO DISTRIB./GEAR SIDE  
 ,, 822.1611.070 FV CR 1 -0,25 ,,  
 ,, 822.1611.071 FV CR 1 -0,50 ,,  
 ,, 822.1611.072 FV CR 1 BARENABILE/BEARING REAMED  
 418 832.6428.039 S C 6  
 419 9.7565.013 FV C 10 18  
 ,, 9.7626.018 N 10 1 X FISSAGGIO STAFFA MARMITTA  
 MUFFLEX BRACKET FIXING  
 420 832.1257.012 FV C 2  
 421 824.5401.040 D 1  
 422 824.4936.048 S 1  
 423+ 276.1861.042 S 10 3  
 424+ 9.7625.019 S C 10 3

B 1



FIG. MATRICOLA Q.TA GR.5-4 CYL.  
 NO. PART NO. Q.TY PAG.11

425	278.3525.091	S	10	1	
426	9.1240.037	S	10	1	
427	9.1200.046	S		1	
428	9.7770.052	D	10	1	
429	278.3525.090	S	10	1	
430+	9.7625.026	S C	10	3	
431	9.6800.034	SV C	10	4	
432	9.7625.057	D	10	4	
433	9.7565.011	FV C	10	4	
434	9.3240.032	F C	10	4	
435	9.3240.048	F C	10	1	
437	9.7565.013	FV C	10	1	
438+	824.4580.054	D	10	1	
439	9.2280.078	D	10	1	
440	278.6578.011	S C	4	4	BOSCH TYPE
441	9.9730.026	FV C	10	4	
442+	9.1900.062	FV C	10	1	
443+	9.4670.003	FV C	10	1	
444+	822.9455.059	S		1	
445	.....				
446+	822.6130.055	S C		1	
447	823.1862.067	S		1	
448	9.4670.016	FV C	10	1	
449	9.9730.111	S C	10	2	
450+	9.4670.003	FV C	10	1	
451+	9.4670.003	FV C	10	1	
452+	9.1900.064	FV C	10	1	
453	9.1900.006	S I	10	1	
454	9.4670.003	FV C	10	1	
455+	9.7555.007	FV C	10	2	
456+	9.9730.026	FV C	10	2	
457	9.1770.006	F C	10	10	
458	9.7555.007	FV C	10	12	
459	822.4560.017	D	10	1	
460	822.2615.037	S		1	
461	9.3240.033	F C	10	2	
462	276.5111.008	FV C	10	1	
463	822.4670.051	S	10	1	
464	823.3740.054	S C	1	1	STD. X 5LD825-4 - 825-4/L
..	9340.3740.063	D C		1	STD. X 5LD930-4
..	934.3740.061	N		1	X PORT.PROF./DEEP OIL PAN (MM 180)
465	9.1770.002	F C	10	1	
466	9.7565.007	FV C	10	1	
467+	9.9765.104	S C	10	2	
468	9.1790.025	S	10	18	
..	9.1790.026	F C	10	1	X FISSAGGIO STAFFA MARMITTA MUFFLER BRACKET FIXING
469+	9.3240.008	F C	10	4	
470+	9.7625.008	S	10	4	
471	9.1770.005	F C	10	4	
472	9.7625.012	FV C	10	4	
473	9.7565.007	FV C	10	4	
474+	9.7625.008	S	10	4	
475+	278.9865.041	D	10	4	
476+	278.6085.015	D		1	
477+	260.5690.003	N	10	1	
478	9.1200.039	S C	10	1	
479+	824.6545.010	SV C		1	
480+482+483=	=824.8836.091	D		1	
481+	9.3240.008	F C	10	1	
482+	278.1702.009	SV C		1	

B 2

FIG. NO.	MATRICOLA PART NO.	Q.TA Q.TY	GR.5-4 CYL. PAG.12
----------	--------------------	-----------	--------------------

483+	278.1702.009	SV C	1
484	824.5900.085	S	1
485+	9.3240.008	F C 10	1
486+	9.7565.004	FV C 10	1
487	824.9375.155	D	1 DA POMPA ALIMENT.A FILTRO COMB. FEED PUMP TO FUEL FILTER
488	824.9375.156	S C	1 DA FILTRO COMB.A POMPA INIEZ. FUEL FILTER TO INJECT.PUMP
489	9.1900.015	FV C 10	1
490	9.4670.017	FV C 10	1
491	9.4670.017	FV C 10	1
492	.....		VEDI/SEE FIG.NO. 496
493	9.4670.017	FV C 10	1
494	9.1900.015	FV C 10	1
495	9.4670.017	FV C 10	1
496	824.9375.154	D	1 TUBO RITORNO NAFTA ALLA POMPA ALIM. FUEL RETURN PIPE TO FEED PUMP
497+	9.1202.036	S 10	1
498+	276.8060.022	F C	1
499+	276.4240.028	F C	1
500+	9.1240.016	S 10	1
501+	276.1300.070	S	1
502+	822.4936.059	S C	1
503+	822.1300.102	S	1
504+	9.8430.061	S 10	1
505	9.3260.057	S 10	1
506	276.7550.020	S 10	1
507	9.6780.067	S 10	3
508	9.7565.007	FV C 10	3
509	9.3240.018	F C 10	3
510+	9.1210.037	FV C 10	1
511	9.6800.005	FV C 10	2
512	9.7565.011	FV C 10	2
513	9.1200.034	FV C 10	1
514	276.1930.034	S 10	1
515+	278.8235.035	D	1
516+	9.6780.052	S C 10	3
517	9.7565.007	FV C 10	3
518	9.3240.018	F C 10	3
519+	9.7625.026	S C 10	1
520+	9.3240.008	F C 10	1
521+	824.1390.036	D	1
522+	9.3240.008	F C 10	1
523	9.1900.015	FV C 10	1
524+	278.8280.016	S	1
525	9.4670.017	FV C 10	1
526	9.4670.017	FV C 10	1
527	9.4670.017	FV C 10	1

529+560=  
=276.3730.031 F IC      FILTRO COMBUST.COMPLETO  
1 COMPLET FUEL FILTER

530	9.7565.011	FV C 10	2
531	9.1780.007	S 10	2
532+	9.1202.017	FV C 10	1
533+	2760.1301.082	S 10	1

534+442+443+444+446+  
450+451+452+497+498+  
499+500+501+502+503+  
504+532+533+536+641=  
=8220.8888.377 S      \*      1 2 PD 3 PRESA MOTO - P.T.O.

534+	276.3780.036	S	1
------	--------------	---	---

B 3

FIG. NO.	MATRICOLA PART NO.	Q.TA Q.TY	GR.5-4 CYL. PAG.13
----------	--------------------	-----------	--------------------

535+	276.4601.046 S	10 1	
536+	9.1202.037 S	10 1	
537	9.9730.026 FV C	10 4	
538	822.6685.057 S C	1	
539+	822.4601.046 S	10 1	
540	9.9731.092 S C	10 4	
541	822.5385.047 S C	1	
542	9.8430.038 S	10 4	
543	823.6975.111 FV C	1	
544	9.9730.009 S C	10 3	
545	9.7555.004 S C	10 3	
546	278.2615.019 D C	1	
547+	278.4431.014 N	50 1	
548	9.9730.025 S	10 13	

549+510=  
=824.2690.141 S C 1

550+	276.8460.055 S	10 2	
551+	278.4431.007 N	50 1	
552	9.9765.108 N	10 1	

553+154+516+550=  
=824.7885.023 S 1

554+	278.4600.095 D	10 1	
555	9.1770.002 F C	10 10	
556	834.6646.053 D C	1	STD. X 5LD825-4 - 825-4/L
„	934.6647.085 D C	1	STD. X 5LD930-4
„	2780.6645.092 D	1	PORT.PROF./DEEP OIL PAN (MM 180)
557	9.4670.016 FV C	10 1	X 5LD825-4 - 825-4/L
			2 X 5LD930-4
558	9.8965.005 FV C	10 1	X 5LD825-4 - 825-4/L
			2 X 5LD930-4
„	2760.8965.038 N	1	LUMBARDINI FRANCE VERSION
559	9.7565.007 FV C	10 18	X 5LD825-4 - 825-4/L
„	9.7555.007 FV C	10 18	X 5LD930-4
560	9.1770.004 F C	10 18	X 5LD825-4 - 825-4/L
„	9.1770.006 F C	10 18	X 5LD930-4

561+469+470+474+475+  
476+477+479+481+485+  
486+515+519+520+521+  
522+524+562+563=  
=824.2516.065 S C 1

COMANDO A MANO COMPLETO  
COMPLET HAND CONTROL

561+	278.5201.019 D	1	
562+	278.7600.013 N	10 1	
563+	260.3203.004 D	10 1	
564	9.1900.015 FV C	10 1	
565	9.4670.017 FV C	10 1	
566	9.7555.008 FV C	10 2	
567	9.1780.003 F C	10 2	
568+	276.2175.042 FVAC	2	CARTUCCIA COMB./FUEL F.ELEMENT
569+	6720.4570.008 S	50 4	
570	933.7100.155 D	1	
571	2760.9718.035 D	1	
572	2760.1157.046 S IC	1	12 V 33 A
„	2760.1157.050 N	1	12 V 55 A
573	9.1770.082 S	10 1	
574	360.8546.048 D	1	
575	9.7625.061 S C	10 1	
576	9.3240.018 S C	10 1	
577	9.1770.056 S	10 1	

B 4

FIG. NO. MATRICOLA PART NO. Q.TA Q.TY

GR.5-4 CYL. PAG.14

573	9.7565.007	FV C 10	1
579	9.7565.007	FV C 10	2
580	933.2501.031	D	1
581	9.3240.018	F C 10	4
582	9.7565.007	FV C 10	4
583	9.6780.012	FV C 10	4
584	933.8903.090	D	1
585	824.5066.040	S	1
586	9.1770.001	F C 10	4
587	9.1770.002	F C 10	4
588	9.1770.005	F C 10	2
589	823.8546.074	S	1
590	823.8546.073	S	1
591	824.9485.071	FV C	1
592	904.3526.055	S	1
593+	6720.6300.020	S	4
594	823.4115.051	F C 10	3
595	9.9732.075	D 10	5
596	9.1770.005	F C 10	2
597	9.7565.007	FV C 10	2
598	823.6975.110	S C	1 X 5LD825-4 - 825-4/L
..	933.6975.117	S C	1 X 5LD930-4
599	9.9730.110	S C 10	2
600+	9.1780.066	S 10	1
601+	823.7670.095	D 10	1
602+	9.1240.051	D 10	1
603+	823.3910.095	D	1
604+	823.7051.061	D	1
605+	823.3466.037	S C	1
606+	823.7500.025	D 10	1
607+	9.7565.029	S C 10	1
608+	9.3240.033	F C 10	1
609+	823.6231.053	S	1
610+	9.3240.033	F C 10	1
611+	9.6800.004	FV C 10	1
612+	9.7565.011	FV C 10	1
613+	9.7625.067	S 10	1
614+	9.3240.033	F C 10	1
615+	9.6800.004	FV C 10	1
616+	9.7565.011	FV C 10	1
617+	9.7625.067	S 10	1

618+600+601+602+603+  
604+605+606+607+608+  
609+610+611+612+613+  
614+615+616+617=

=823.4110.006 S C 1

TENDICINGHIA COMPLETO  
COMPLET JOCKEY PULLEY

618+	823.6360.055	S	1
619	9.1760.001	F C 10	1
620	9.7625.061	S C 10	2
621	9.1760.001	F C 10	1
622	9.1770.005	F C 10	2
623	823.5140.010	S	1
624	823.5390.013	S C	1
625	9.3240.018	F C 10	2
626	9.6780.045	S 10	1
627	9.7565.007	FV C 10	1
628+	823.4160.011	S C 10	1
629+	9.4670.016	FV C 10	1
630+	823.8485.001	SV C	4
631	824.9050.042	SV C	1
632	824.2615.036	S C	1
633+	824.4431.068	S 50	1

B 5

FIG. NO.	MATRICOLA PART NO.	Q.TA Q.TY	GR.5-4 CYL. PAG.15
----------	--------------------	-----------	--------------------

634	9.9730.026	FV C 10	1
635+	9.1790.051	S 10	3
636+	822.5957.011	SV C 10	3
637+	9.7565.013	FV C 10	3
638+	2760.6095.011	S C	1
639	9.4670.039	S 10	1
640	824.6585.036	D	1
641+	9.1201.083	S 10	1
642	276.1970.084	N 10	2
643	9.7555.007	FV C 10	2
644+	.....		
645	672.7625.100	FVAC 10	16
646	672.5801.135	FVAC 10	8
647	3600.6491.013	FVAC	1

POMPA ALIM./FUEL FEEDING PUMP

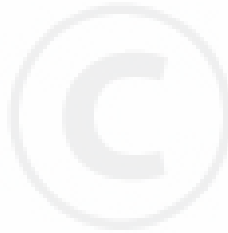
55+132+171+173+175+  
 183+186+188+212+227+  
 326+340+373+383+413+  
 433+445+539+547+551+  
 554+569+633=

SERIE GUARNIZIONI  
 GASKET SET

=824.8180.065 FV CR 1 X 5LD825-4 - 825-4/L  
 =934.8180.070 SV CR 1 X 5LD930-4

ASRI/GRM  
 \*\*\*\*\*  
 10.JUN.1934  
 \*\*\*\*\*

B 6





MATERIALE DI RETTIFICA  
GRINDING WORKSHOP PARTS LIST  
MATERIEL POUR RECTIFIEURS

GR.5-4 CYL.  
PAG.16

MOTORI-ENGINES-MOTEURS GR.5 - 4 CILINDRI/CYLINDERS/CYLINDRES  
5LD 825-4 5LD825-4/L 5LD930-4

FIG. NO.	MATRICOLA PART NO.	Q.TA Q.TY	NOTE REMARKS
102+	276.4845.057 FV CR10	4	STD. GJIDA V.SCAR./EXHAUST V.GUIDE
..	276.4845.041 FV CR10	4	+0,50
104+	276.4845.056 FV CR10	4	STD. GJIDA V.ASPIR./INLET V.GUIDE
..	276.4845.040 FV CR10	4	+0,50
169+	822.8000.073 FV CR10	4	SEDE V.SCARICO/EXHAUST V.SEAT
170+	822.8000.072 FV CR10	4	SEDE V.ASPIRAZ./INLET V.SEAT
206+	822.9685.053 FV CR10	4	VALVOLA SCARICO/EXHAUST VALVE
209+	822.9652.041 FV CR10	4	VALVOLA ASPIRAZIONE/INLET VALVE
250+	832.8210.068 FV CR10	4	+0,50 X 5LD825-4 - 825-4/L
..	832.8210.069 F CR10	4	+1,00 .. ..
..	933.8211.015 SV CR10	4	+0,50 X 5LD930-4
..	933.8211.016 S CR10	4	+1,00 ..
286+250+288+289=			
	=822.6500.155 FV CR	4	+0,50 X 5LD825-4 - 825-4/L
	=822.6500.158 F CR	4	+1,00 .. ..
	=933.6500.160 SV CR	4	+0,50 X 5LD930-4
	=933.6500.161 S CR	4	+1,00 ..
287+	832.1630.011 FV CR	4	
294	822.1611.073 FV CR	3	-0,25 X SUPP.CENTRALE/MIDDLE SUPP.
..	822.1611.074 FV CR	3	-0,50
..	822.1611.075 FV CR	3	BARENABILE/BEARING REAMED
337	291.1640.048 FV CR	4	-0,25 X BIELLA/CONNECTING ROD
..	291.1640.049 SV CR	4	-0,50 ..
366	276.1600.056 F ICR	1	-0,25 X ALBERO CAMME/CAMSHAFT
..	276.1600.057 F ICR	1	-0,50 ..
..	276.1600.058 S ICR	1	-1,00 ..
..	276.1600.059 S ICR	1	+1,00 SU DIAMETRO ESTERNO ON EXTERNAL DIAMETER
382	822.1611.062 FV CR	1	-0,25 LATO VOLANO/FLYWHELL SIDE
..	822.1611.063 FV CR	1	-0,50 ..
..	822.1611.064 FV CR	1	BARENABILE/BEARING REAMED
417	822.1611.070 FV CR	1	-0,25 LATO DISTRIB./GEAR SIDE
..	822.1611.071 FV CR	1	-0,50 ..
..	822.1611.072 FV CR	1	BARENABILE/BEARING REAMED
55+132+171+173+175+ 183+186+188+212+227+ 326+340+373+383+413+ 438+445+539+547+551+ 554+569+633=			
	=824.8180.065 FV CR	1	X 5LD825-4 - 825-4/L
	=934.8180.070 SV CR	1	X 5LD930-4