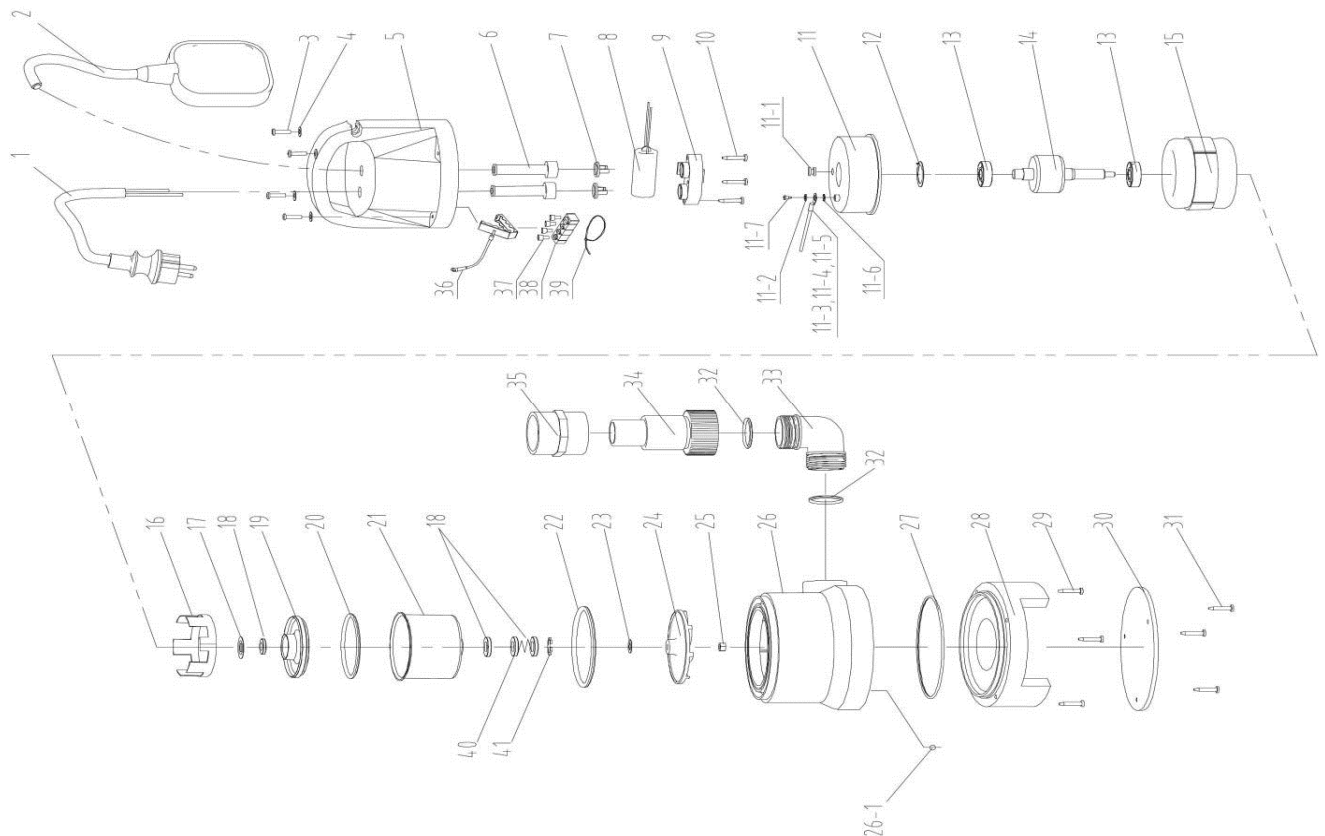


VSP 10000



No	Code	Name	Qty	No	Code	Name	Qty
1		electric cable	1	16	032330	bushing	1
2		floater switch	1	17	029691	washer	1
3		self-tapping screw	4	18	029692	skeleton seal ring	3
4		washer	4	19	029693	aluminum bushing	1
5	032303	rear pump housing	1	20	029694	O ring	1
6	032304	cable jacket	2	21	029695	front cover	1
				22	029696	O ring	1
7	032272	cable press pad	2	23		adjustable washer	1
				23		adjustable washer	1
8	029686	16uF capacitor	1	24	029697	impeller	1
9	032306	cable press pad	1	25		nut	1
10		self-tapping screw	3	26	032339	main pump housing	1
11	032307	rear pump housing	1	26-1	032283	steel ball	1
11-1	029687	cable jacket	1	27	029698	O ring	1
11-2	029688	washer	1	28	032340	pump base	1
11-3		yellow-green wire	1	29		self-tapping screw	3
11-4		wire connecting pad	1	30	032341	bottom plate	1
11-5	032308	Heat shrinkable tube	0.025m	31		self-tapping screw	3
11-6		washer	1	32	032335	O ring	2
11-7		bolt	1	33	032336	elbow	1
12	029689	wave washer	1	34	032337	output connector	1
13	024730	bearing	2	35		flexible connector	1
14	032338	rotor	1	36	032287	ground cover	1
15	029690	stator	1	37		nylon safty press cap	2

