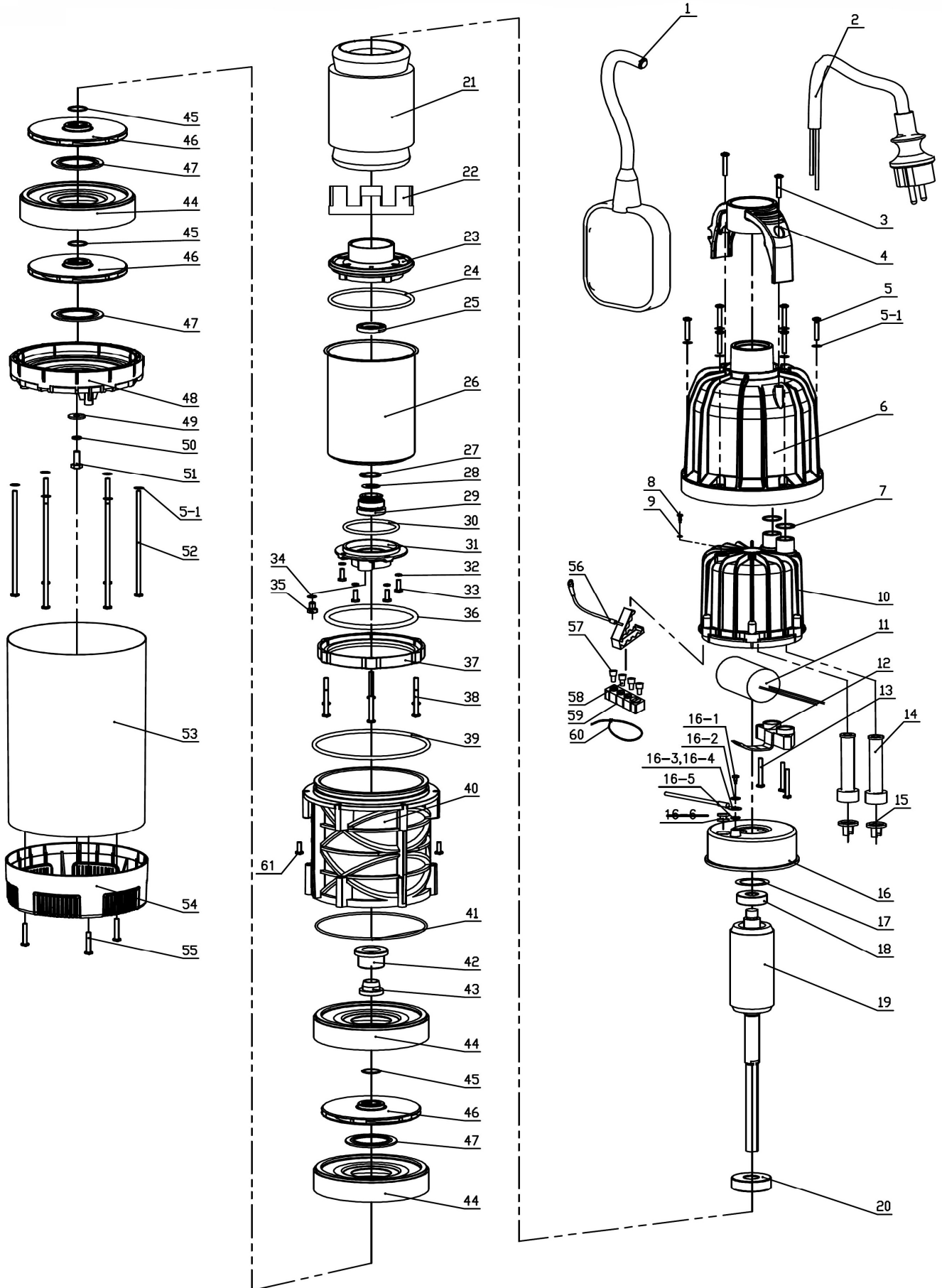


VSP 6500 M





EXPLODED PARTS LIST

Year: 2021

Page(s): 2/2

VSP 6500 M

No	Code	Name	Qty	No	Code	Name	Qty
1	53939	Float switch	1	49		Gasket	1
2	53935	power cable	1	50		Spring washer	1
3		Cross recessed pan head tapping screws	2	51		Hex Bolts	1
4	59668	handle	1	52		Self-tapping screw	6
5		Cross recessed pan head tapping screws	6	53	59681	Stainless steel shield	1
6	59672	Rear pump casing	1	54	59683	Base	1
7	59678	O-ring	2	55		Cross recessed pan head tapping scr	3
8		Custom tapping screw	1	D		Grounding shield welding assembly	1
9		O-ring	1	57		Nylon safety crimping cap	3
10	59669	Rear pump cover	1	58		Nylon safety crimping cap	2
11	53932	16uFS3 capacitor	1	59		Rubber clip	1
12	32306	Cable clamp	1	60		Cable tie	1
13		Custom tapping screw	3	61		Self-tapping screw	2
14	32305	Cable jacket	2	16--1		Cross recessed pan head screws	1
15	32272	Cable crimp	2	16--2		External serrated lock washer	1
16	59685	Aluminum back cover assembly	1	16--3		Yellow-green line	0.25
17		Wave washer	1	16--4		Grounding piece	1
18		Bearing	1	16--5		Standard spring washer	1
19		Rotor	1	5--1		Gasket	12
20		Bearing	1			Food machinery white oil	0.075
21		stator	1			Dust cover	1
22		Front bushing	1				
23		Lower bearing	1				
24		O-ring	1				
25		Skeleton seal	1				
26		The front cover	1				
27		Shaft retaining ring	1				
28		Adjustment gasket	1				
29		Machinery Seal	1				
30		O-ring	1				
31		End cap	1				
32		Standard spring washer	4				
33		Cross recessed pan head screws	4				
34	O-ring	1					
35	Screw	1					
36	29696	O-ring	1				
37	59684	Pressure ring	1				
38		Triangular pan head tapping screw	6				
39	59677	O-ring	1				
40	59670	Main pump casing	1				
41	59676	O-ring	1				
42	59680	Machinery Seal	1				
43	59675	Bushing	1				
44	59673	Guide disc	3				
45	59679	O-ring	3				
46	59671	impeller	3				
47	59674	Plastic mat	3				
48	59682	Inner base	1				