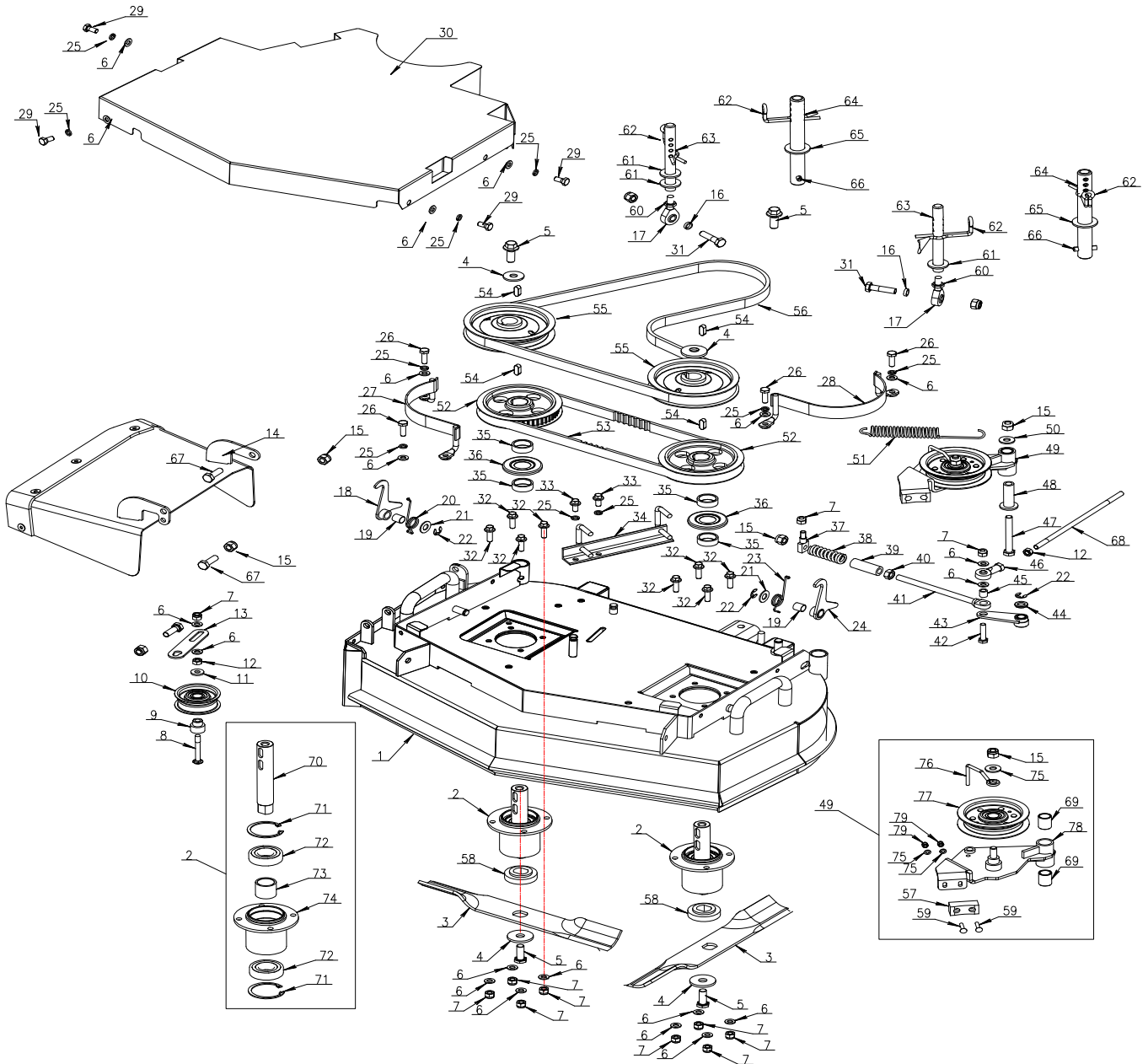


V 722



Mower deck assembly



EXPLODED PARTS LIST

Year: 2019
Page(s): 2/16

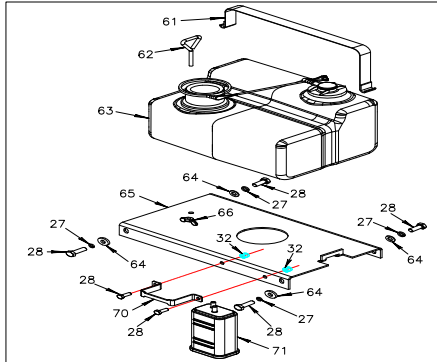
V 722

No	Code	Name	Qty	No	Code	Name	Qty
1	60290	Deck Weldment		41		Connecting Rod	
		Deck Weldment		42		Bolt M8x45	
2	60291	Blade Spindle Assembly		43		IDLER ARM	
3	014898	Blade		44		Washer	
		Blade		45		Bearing	
4	60292	Disc Spring Washer		46		Rod End Bearing	
5	60293	Bolt M12x30 10.9		47		Bolt M10x80	
6		Flat Washer M8		48		Flange Bushing	
7		Locknut M8		49	60297	Idler Pulley ASM	
8		Bolt M8x60				Idler Pulley ASM	
9		Bushing		50		Washer M10	
10	014865	Idler Pulley Assembly		51	60298	Spring	
11		Flat Washer M8		52	014864	Pulley	
12		Locknut M8		53	014899	Synchronous Belt 1072-8M	
13		Linking Plate				Timing Belt	
		Linking Plate		54		Square Key 8x22	
14	60294	Discharge Chute Assembly		55	60299	Blade Drive Pulley	
15		Locknut M10				Blade Drive Pulley	
16		Sleeve		56		Blade Drive Belt 32S	
17		Bolt M10x40			60300	Blade Drive Belt 28S	
18		Right Hook Assembly		57		Brake Pad	
19		Bushing		58	60301	BLADE SPACER	
20		Right Torsion Spring		59		Screw M5x25	
21		Flat Washer M12		60		Nut M10	
22		Snap Ring M9		61		Washer	
23		Left Torsion Spring		62		Front Column	
		Left Torsion Spring		63		Height Adjustment Pin, LH	
24		Left Hook Assembly		64		Rear Height Adjustment column	
		Left Hook Assembly				Rear Height Adjustment column	
25		Split Lock Washer M8		65		Washer 1	
26		Bolt M8x20		66		Spring pin 8X32	
27	60295	Belt Housing Weldment, Right		67		Hex Hd Bolt M10x30	
		Belt Housing Weldment, Right		68		Blade Engage Control Rod	
28	60296	Belt Housing Weldment, Left		69		Oilite Bronze Bearing 16x20x25	
		Belt Housing Weldment, Left		70		Blade Spindle	
29		Hex Hd Bolt M8x16		71		Snap Ring M52	
30		Deck cover Weldment		72		Bearing 6205-2RS	
		Deck cover Weldment		73		Bushing	
31		Bearing SABJK10C		74		Spindle Housing	
32		Hex Hd Bolt M8x25		75		Flat Washer M5	
33		Bolt M8x16		76		Belt Guide	
34		Belt Bracket Weldment		77		Idler Pulley	
35		Bushing		78		Idler Pulley Weldment	
36		Dust Cover				Idler Pulley Weldment	
37		Connecting Rod		79		Nut M5	
38		Compression Spring					
39		Bushing					
40		Nut M10					

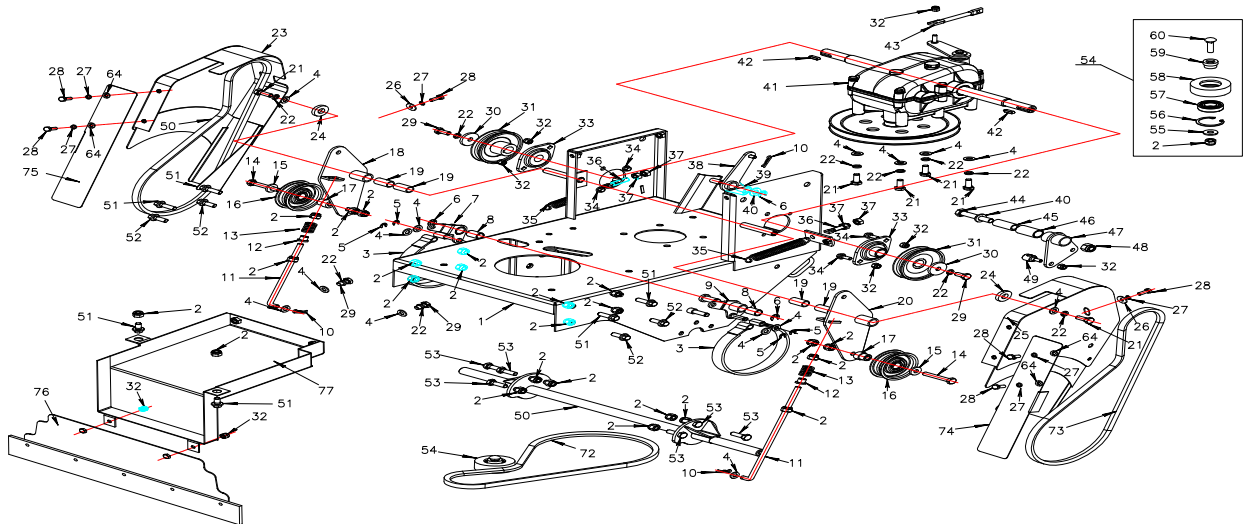
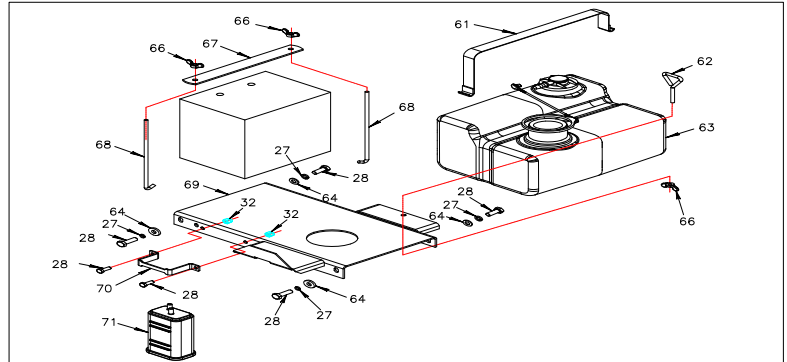
Mower deck assembly

V 722

Recoil Start



Electric Start



Rear deck assembly



EXPLODED PARTS LIST

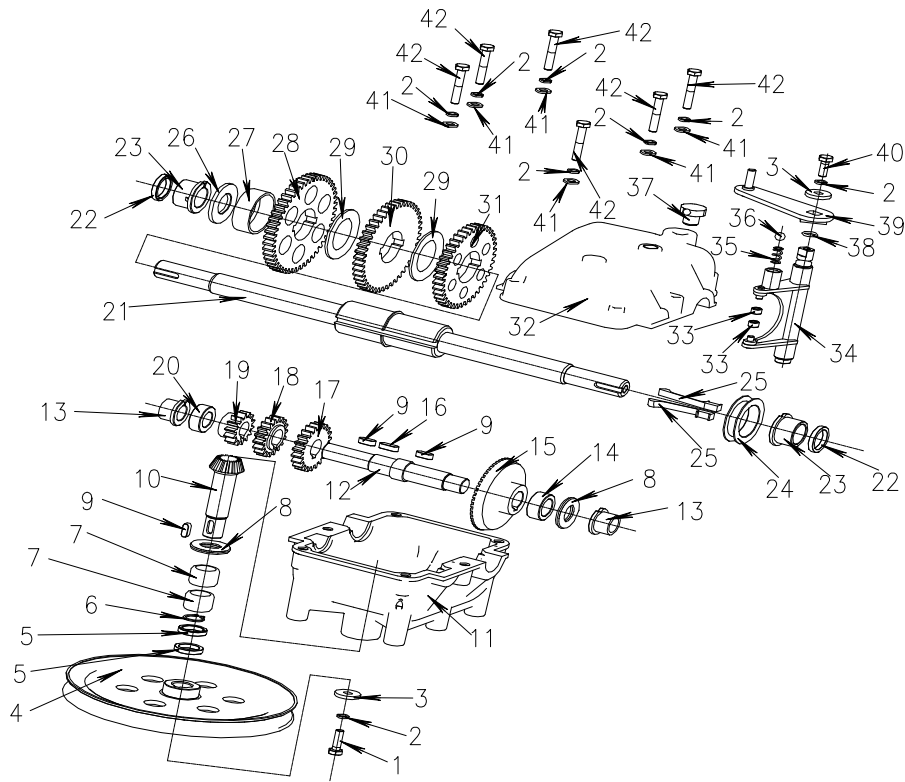
Year: 2019
Page(s): 4/16

V 722

No	Code	Name	Qty	No	Code	Name	Qty
1		Rear Deck		49		Gear Shift Connector	
2		Locknut M8		50		Axle Pivot Weldment	
3	60302	Brake Band		51		Hex Hd Bolt M8x25	
4		Flat Washer M8		52		Bolt	
5		Snap Ring M6		53		Bolt	
6		Snap Ring M8		54	60311	Idler Pulley ASM	
7	60303	Brake Lever Weldment, Right		55		Washer	
8		Nylon Bushing		56		Snap ring M35	
9	60304	Brake Lever Weldment, Left		57		Bearing	
10		Pin		58		Idler Pulley	
11	60305	BRAKE LINKAGE		59		Bushing	
12		Nylon bushing		60		Hex Hd Bolt M8x35	
13	014905	Compression Spring		61		Fuel Tank Pressing Strap	
14		Hex Hd Bolt M8x50		62		Rod weldment	
15		Flat Washer M8		63	60312	Fuel Tank ASM	
16	042191	Idler Pulley Assembly		64		Flat Washer M6	
17		Bushing		65		TANK SADDLE	
18		Brake Lever Weldment,RH		66		Nut	
19		Nylon Bushing				Nut	
20		Brake Lever Weldment,LH		67		Battery Strap	
21		Bolt M8x20		68		Battery Rod	
22		Split Lock Washer M8		69		Support Plate	
23	60306	Belt Cover Assembly,Right		70		Carbon Canister Bracket	
24		Bushing		71		Carbon Canister	
25	60307	Belt Cover Assembly,Left		72	60313	Belt	
26		Spacer		73	60314	Belt	
27		Spacer		74		Front Plate,left	
28		Hex hd bolt M6x16		75		Front Plate	
29		Hex Hd Bolt M8x16		76		Rear Plate	
30		Spacer		77		Protective Cover Weldment	
31	60308	Driver Pulley					
32		Locknut M6					
33	60309	Bearing UBPFL203					
34		Bolt M6x20					
35		Tension Spring					
36		Adjusting Rod					
37		Locknut M8					
38		Shift Pivot Arm Weldment					
39		Bushing					
40		Flat Washer M10					
41	60310	Transmission					
42		Key					
43		Rod					
44		Hex Hd Bolt M10x55					
45		Bushing					
46		Bushing					
47		Idler Pullry Arm					
48		Locknut M10					

Rear deck assembly

V 722



Rear deck assembly 2



EXPLODED PARTS LIST

Year: 2019

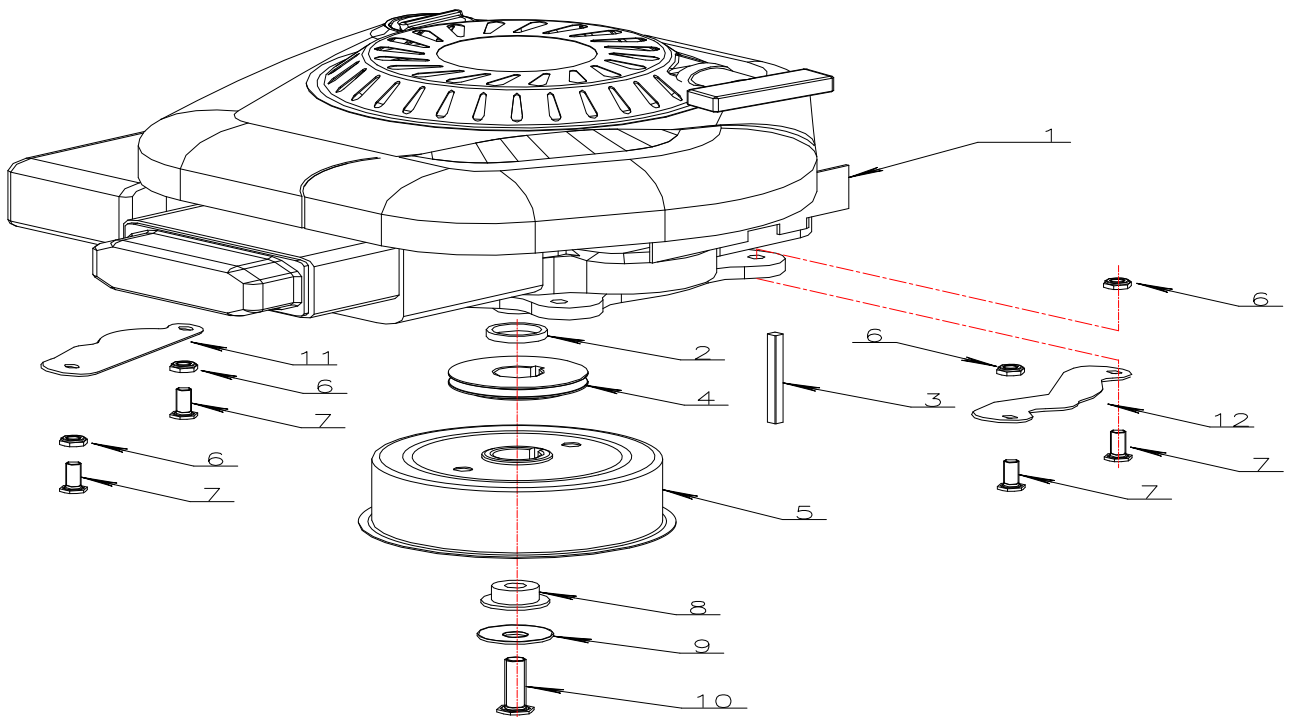
Page(s): 6/16

V 722

No	Code	Name	Qty	No	Code	Name	Qty
1		Hex Hd Bolt M6×20					
2		Spacer					
3		Washer					
4	60315	Transimission Pulley					
5		Oil Seal FB16×22×4					
6		Snap Ring M15					
7		Bearing					
8		Bearing					
9		Key					
10		Bevel Gear					
11		Transmission Case-Bottom					
12		Counter shaft					
13		Bushing					
14		Bushing					
15		Taper Ring Gear					
16		Key					
17		High Speed Gear					
18		Medium Gear					
19		Low Speed Gear					
20		Shift Spacer					
21		Output Shaft					
22		Oil Seal FB20×26×4					
23		Output Shaft Bushing					
24	031473	Shift Spacer					
25	031474	Sliding Key					
26		Spacer					
27		Shift Spacer					
28		Low Speed Gear					
29		Washer					
30		Medium Gear					
31		High Speed Gear					
32		Transmission Case-Top					
33		Roller					
34		Shift Rod & Fork					
35		Detent Spring					
36		Detent Steel Ball 5/16"					
37		Filler/Breather Plug					
38		O-Ring 8.75×1.8					
39		Shift Arm Weldment					
40		Hex hd bolt M6×16					
41		Flat Washer M6					
42		Bolt					

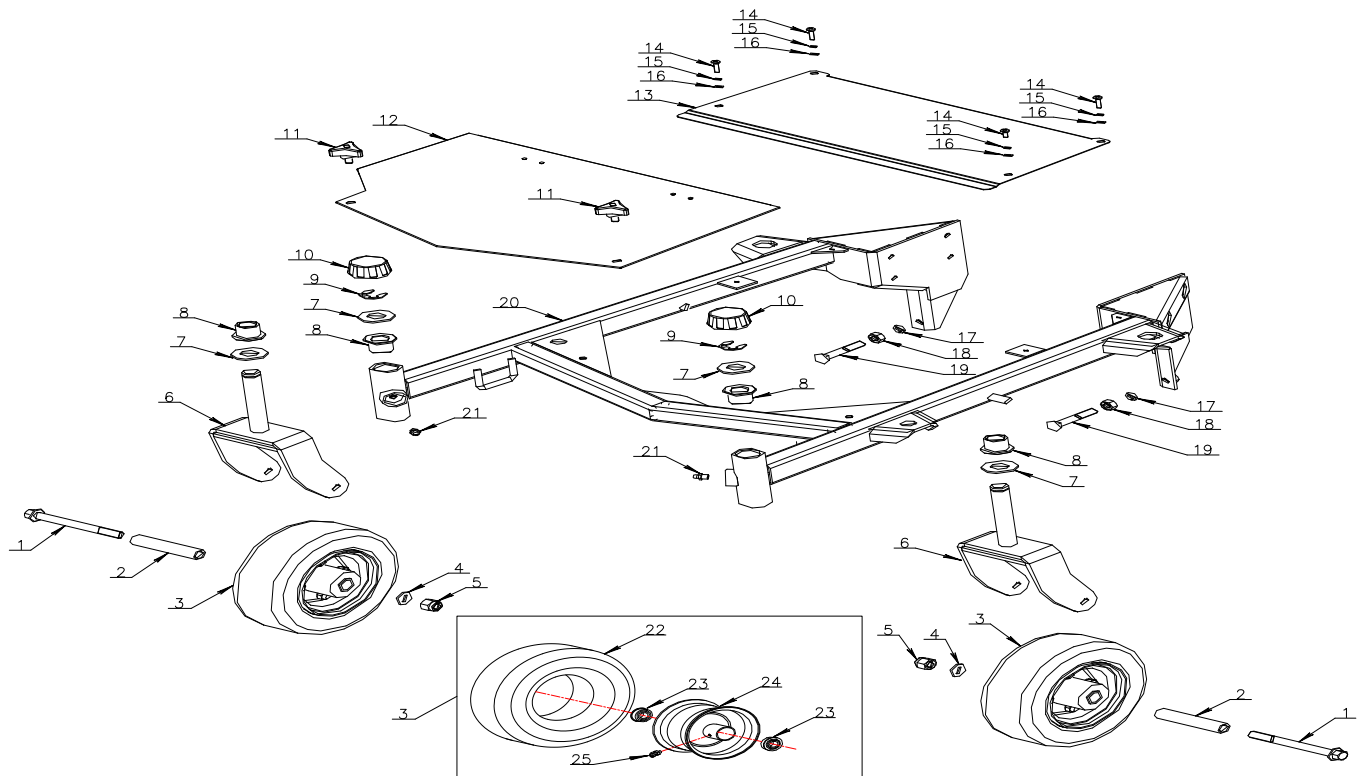
Rear deck assembly 2

V 722



Engine assembly

V 722



Front frame assembly



EXPLODED PARTS LIST

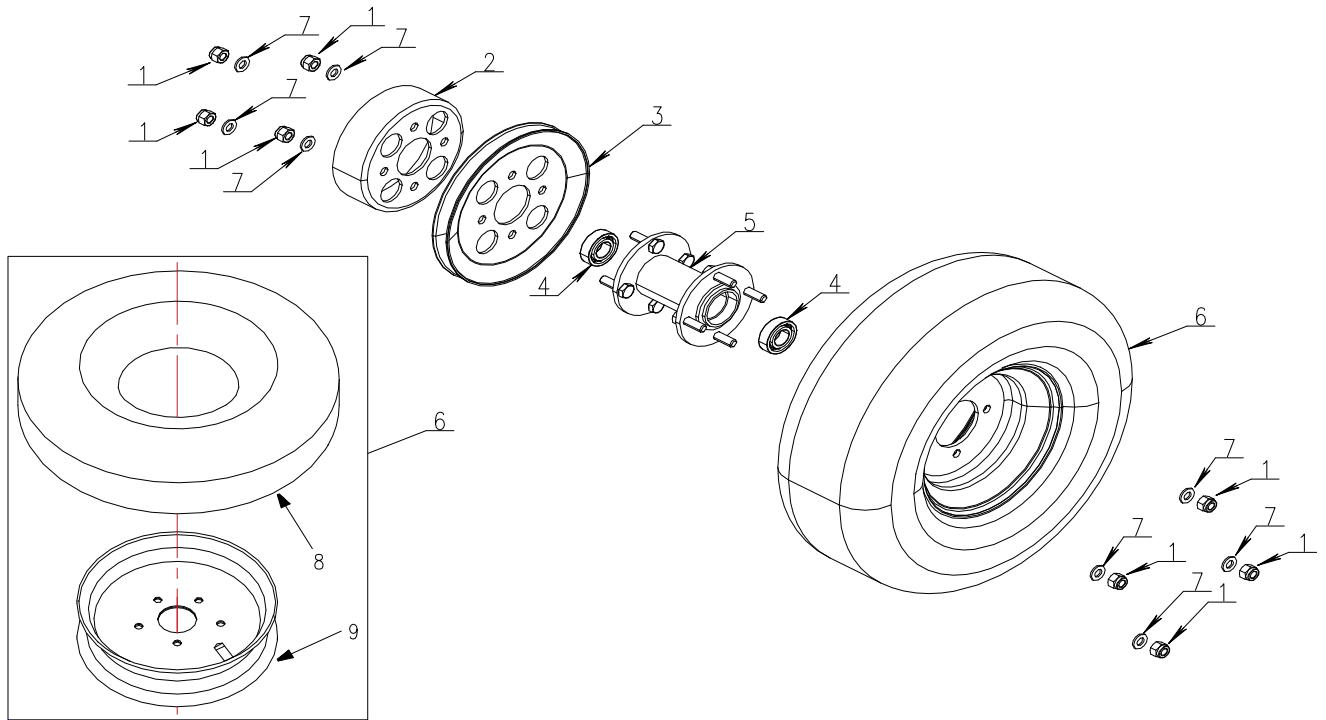
Year: 2019
Page(s): 10/16

V 722

No	Code	Name	Qty	No	Code	Name	Qty
1	60319	Bolt					
2	60320	Caster Wheel Spindle					
3	60321	Front Wheel 8"x3"					
4		Flat Washer M12					
5		Locknut M12					
6	60322	Caster Wheel Yoke					
7		Washer					
8		Olite bronze bushing					
9		Snap Ring M15					
10		Cover					
11		Three-Arm Knob					
12		Front Cover Plate					
13		Rear Shield					
14		Screw M5x10					
15		Washer					
16		Flat Washer M5					
17		Washer					
18		Nut M10					
19		Bolt M10					
20		Front Frame					
21		Grease Fitting M8x1					
22		Tire					
23		Bearing					
24		Rim					
25		grease fitting					

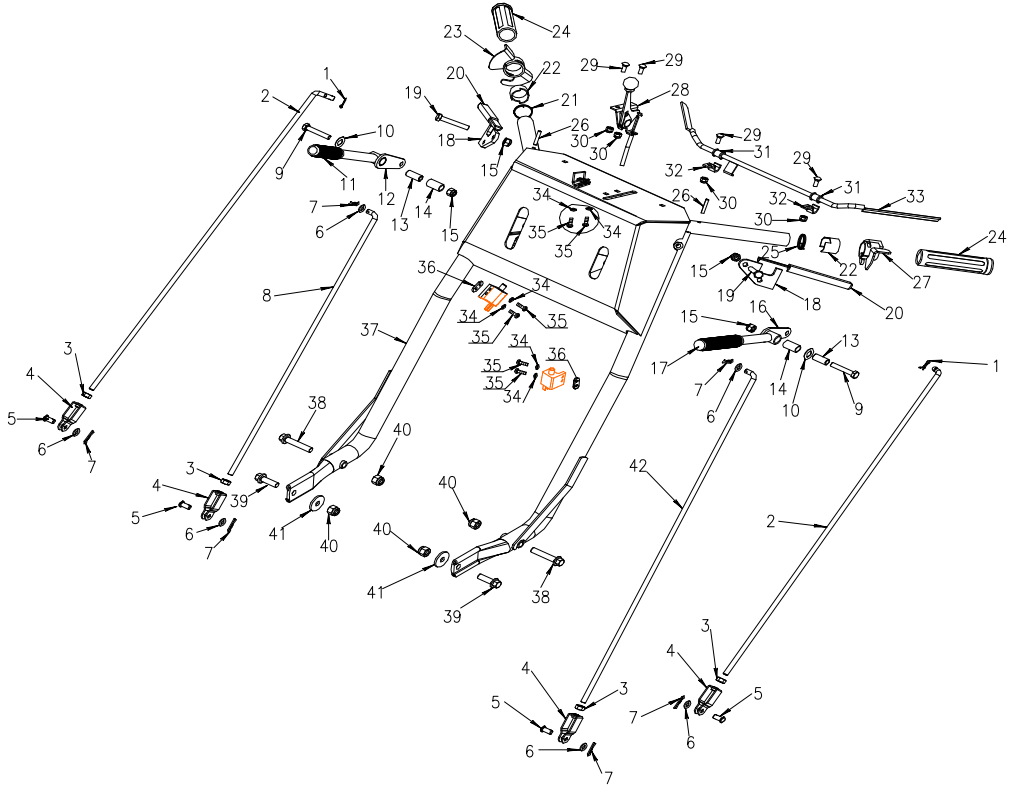
Front frame assembly

V 722



Drive wheel assembly

V 722



Handle assembly



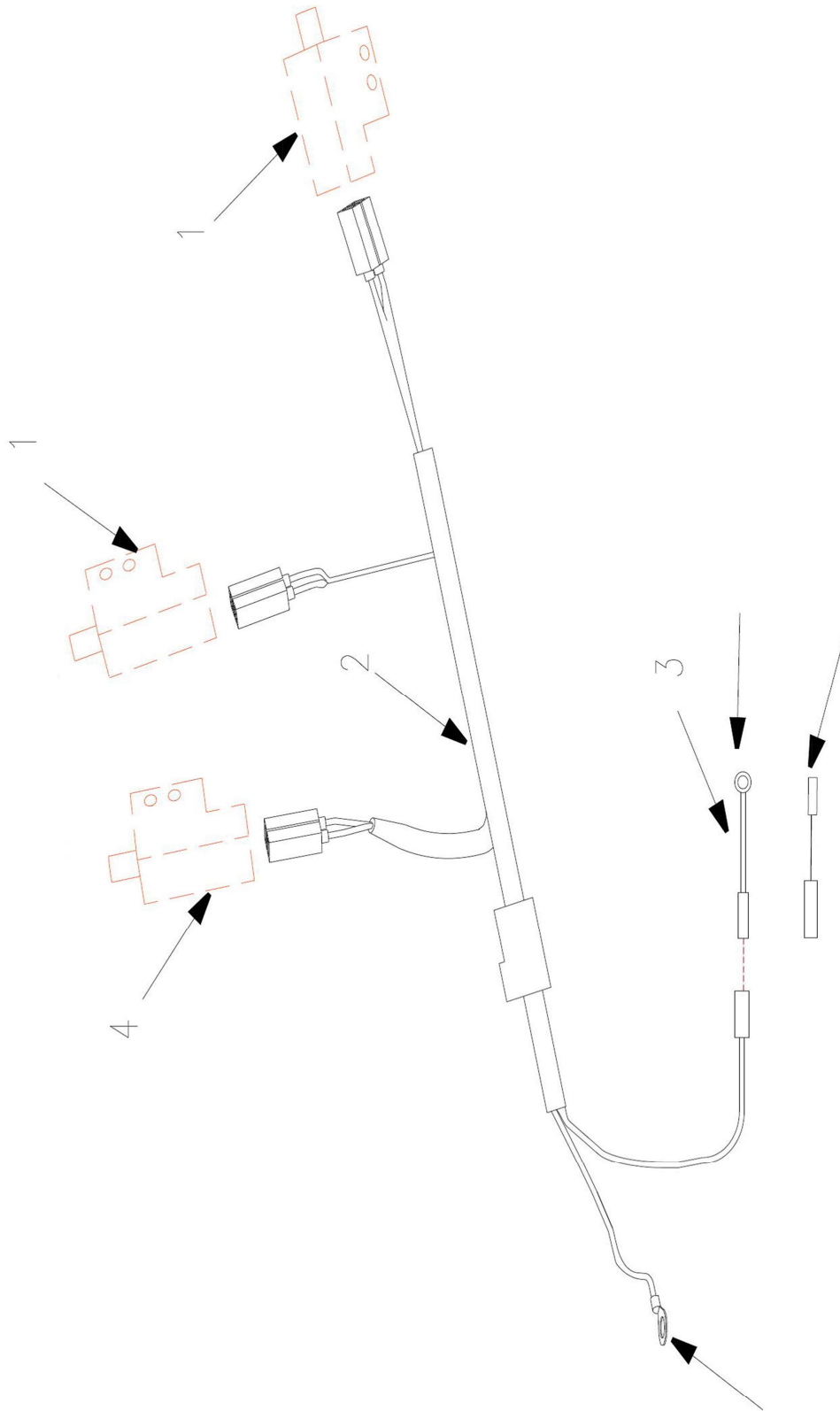
EXPLODED PARTS LIST

V 722

No	Code	Name	Qty	No	Code	Name	Qty
1		Pin					
2	60327	Brake Control Rod					
3		Locknut M8					
4		Link Rod					
5		Pin					
6		Flat Washer M8					
7		Hair Pin					
8		Shift Control Rod					
9		Bolt M8x45					
10		Disc Spring Washer M12					
11	60328	Brake Lever Grip					
12		Gear Shift Lever					
13		Bushing					
14		Nylon Bushing					
15		Locknut M8					
16	60329	Blade Drive Lever					
17		Brake Lever Grip					
18		Steering Lever Weldment					
19		Bolt					
20		Handle Grip					
21		Right Torsion Spring					
22		Bushing					
23		Neutral Latch-RH					
24		Handle Grip					
25		Left Torsion Spring					
26		Pin					
27		Neutral Latch-LH					
28	60330	Throttle Control Assembly(BS)					
29		Hex Hd Bolt M6x16					
30		Locknut M6					
31		Nylon Bushing					
32		Nylon Bushing Bracket					
33		Operator Presence Control Handle					
34		Flat Washer M5					
35		Screw M5x16					
36		Nut Plate					
37		Handle Welding					
38		Bolt					
39		Bolt					
40		Locknut M10					
41		Washer					
42	60331	Blade Engage Control Rod					

Handle assembly

V 722



Recoil Start-up Wiring Harness

