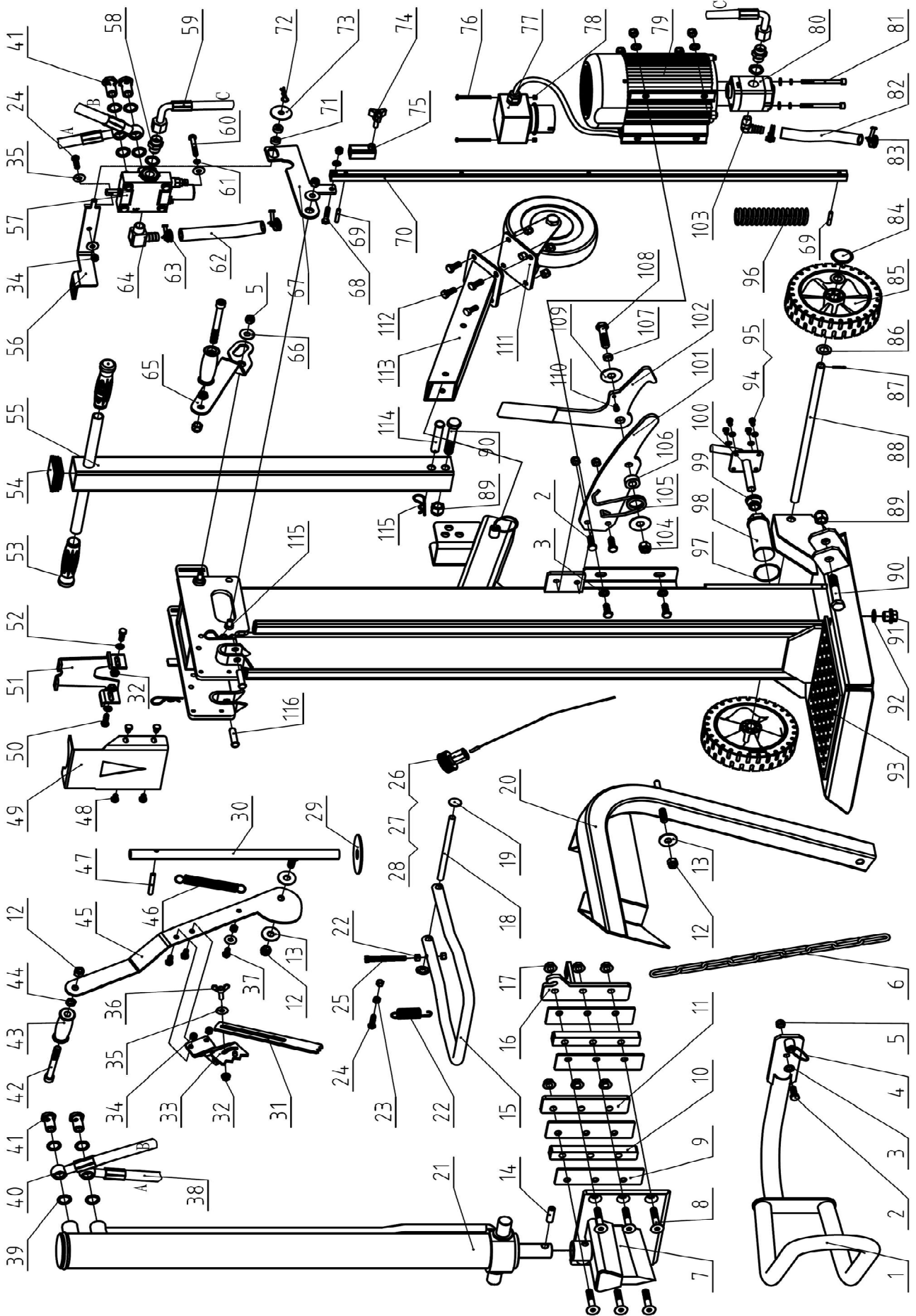


LSP 12T





EXPLODED PARTS LIST

Year: 2020

Page(s): 2/3

LSP 12T

| No | Code | Name | Qty | No | Code | Name | Qty |
|----|-------|--------------------------|-----|----|-------|----------------------------------|------|
| 1 | 64429 | Left Guard Bracket | 1 | 49 | 64445 | Front Support Plate for Cylinder | 1 |
| 2 | | Bolt 8.8 M10x30 | 7 | 50 | | Bolt M8x25 | 2 |
| 3 | | Flat Washer 10 | 9 | 51 | 64446 | Rear Support Plate for Cylinder | 1 |
| 4 | | Locating Pin Handle | 2 | 52 | | Flat Washer 8 | 3 |
| 5 | | Locknut M10 | 13 | 53 | 64447 | Handle Grip | 1 |
| 6 | 64430 | Lift Chain ϕ 6 | 1 | 54 | | Square Plug | 1 |
| 7 | 64431 | Wedge Weldment | 1 | 55 | 64448 | Pull Rod | 1 |
| 8 | | Bolt 8.8 M12x65 | 6 | 56 | | Connecting Plate for Valve | 1 |
| 9 | 64432 | Friction Plate | 4 | 57 | 64449 | Valve | 1 |
| 10 | 64433 | Baffle Plate | 2 | 58 | 64450 | Hose Nipple | 2 |
| 11 | 64434 | Left Plate | 1 | 59 | 64451 | Inlet Hose | 1 |
| 12 | | Locknut M12 | 4 | 60 | | Bolt 8.8 M8x50 | 2 |
| 13 | | Large Washer 12 | 3 | 61 | | Spring Washer 8 | 4 |
| 14 | | Cylindrical Pin 8x40 | 1 | 62 | 64452 | Oil Hose 19 | 0.23 |
| 15 | 64435 | Control U-Handle | 1 | 63 | | Hose Clamp 28-36 | 2 |
| 16 | 64436 | Right Plate | 1 | 64 | 64453 | Hose Connector | 1 |
| 17 | | Nut M12 | 6 | 65 | | Right Operating Lever | 1 |
| 18 | | Axis Pin | 1 | 66 | | Large Washer 10 | 2 |
| 19 | | Wheel Cap 12 | 2 | 67 | | Connectin Lever | 1 |
| 20 | 64437 | Lift Guard | 1 | 68 | | Bolt 8.8 M8x40 | 1 |
| | 64438 | Cylinder | 1 | 69 | | Cylindrical Pin 6x40 | 2 |
| 22 | 64439 | Spring | 1 | 70 | 64454 | Stroke Adjusting Lever | 1 |
| 23 | | Nut M8 | 5 | 71 | | Round Plate | 2 |
| 24 | | Bolt 8.8 M8x30 | 2 | 72 | | Clip 2.5 | 1 |
| 25 | | Bolt 8.8 M8x80 | 1 | 73 | | Large Washer 10 | 1 |
| 26 | | Oil Cap | 1 | 74 | | Star Knob | 1 |
| 27 | 64440 | O- Ring 25x2.65 | 1 | 75 | | Adjusting Sleeve | 1 |
| 28 | | Oil Dipstick | 1 | 76 | 64455 | Screw M4x60 | 2 |
| 29 | | Nylon Washer | 1 | 77 | 64456 | Switch | 1 |
| 30 | | Shaft | 1 | 78 | | Locknut M4 | 2 |
| 31 | | Extended Log Fixing Claw | 1 | 79 | 64457 | 3-Phase Motor | 1 |
| 32 | | Nut M8 | 3 | 80 | 64458 | Gear Pump 4.0 | 1 |
| 33 | | Log Fixing Claw | 1 | 81 | | Screw M8x90 | 1 |
| 34 | | Locknut M8 | 4 | 82 | 64459 | Oil Hose 16 | 0.19 |
| 35 | | Large Washer 8 | 6 | 83 | | Hose Clamp 20-26 | 2 |
| 36 | | Wing Bolt M8x25 | 1 | 84 | | Wheel Cap | 2 |
| 37 | | Bolt M8x20 | 3 | 85 | 64460 | Wheel | 2 |
| 38 | 64441 | Lower Hose | 1 | 86 | | Flat Washer 16 | 4 |
| 39 | | Combined Washer 20 | 10 | 87 | | Cotter Pin 2x20 | 2 |
| 40 | 64442 | Upper Hose | 1 | 88 | 64461 | Wheel Axle | 1 |
| 41 | 64443 | Valve Connector | 4 | 89 | | Locknut M16 | 2 |
| 42 | | Screw M12x120 | 2 | 90 | | Bolt 8.8, M16x90 | 2 |
| 43 | | Operating Handle Grip | 2 | 91 | | Screw Plug | 1 |
| 44 | | Thin Nut M12 | 2 | 92 | | Combined Washer 22 | 1 |
| 45 | | Lever | 1 | 93 | 64462 | Main Frame | 1 |
| 46 | 64444 | Reset Spring | 1 | 94 | | Bolt 8.8 M6x12 | 4 |
| 47 | | Cylindrical Pin 8x60 | 1 | 95 | | Flat Washer 6 | 4 |
| 48 | | Bolt M8x12 | 4 | 96 | | Buffer Spring | 1 |

