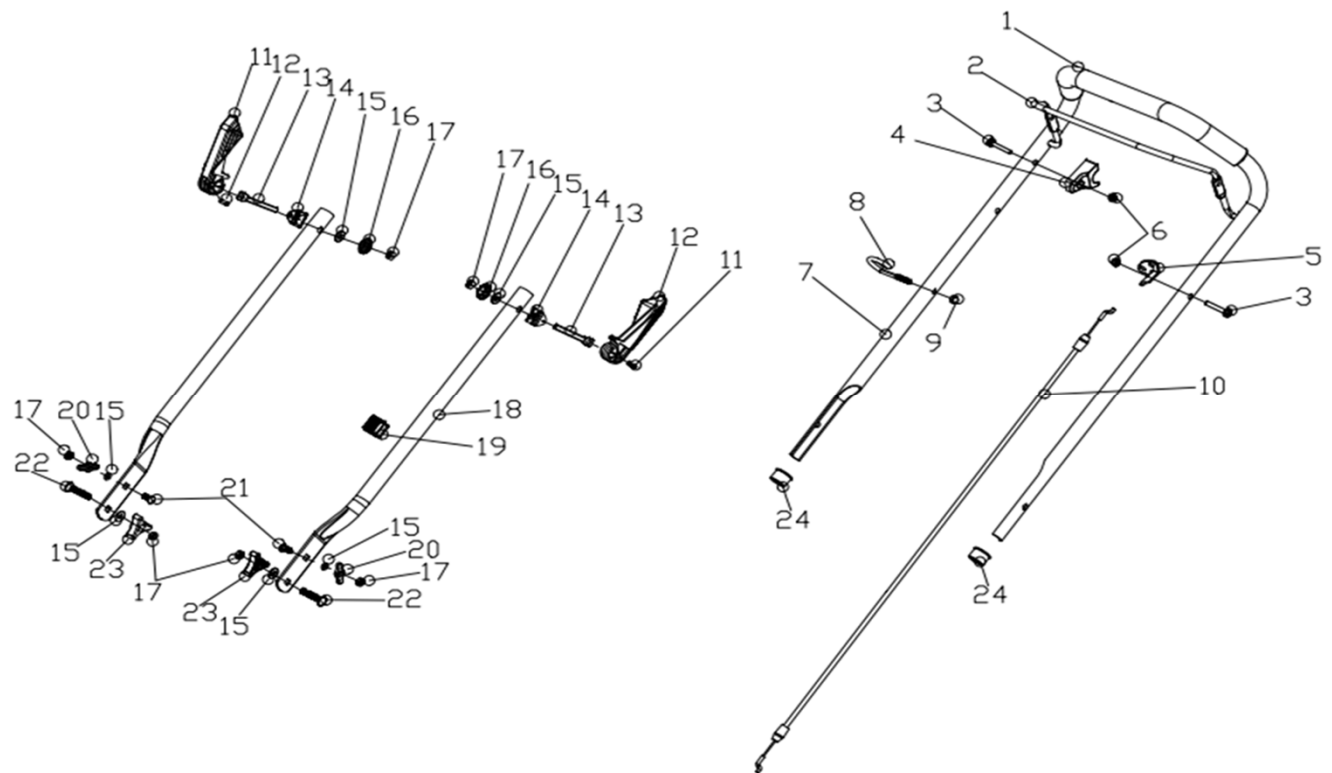
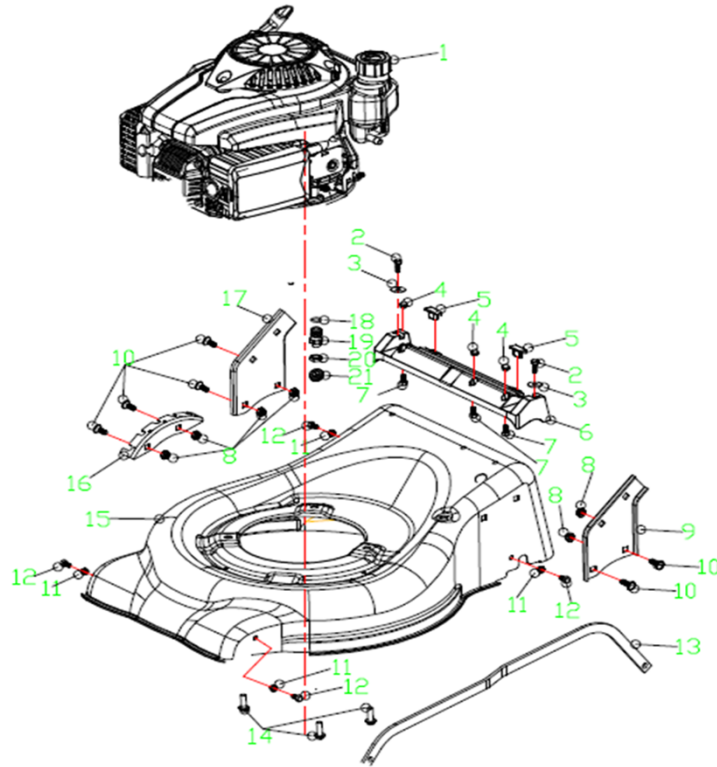


V 42 T - Handle assembly



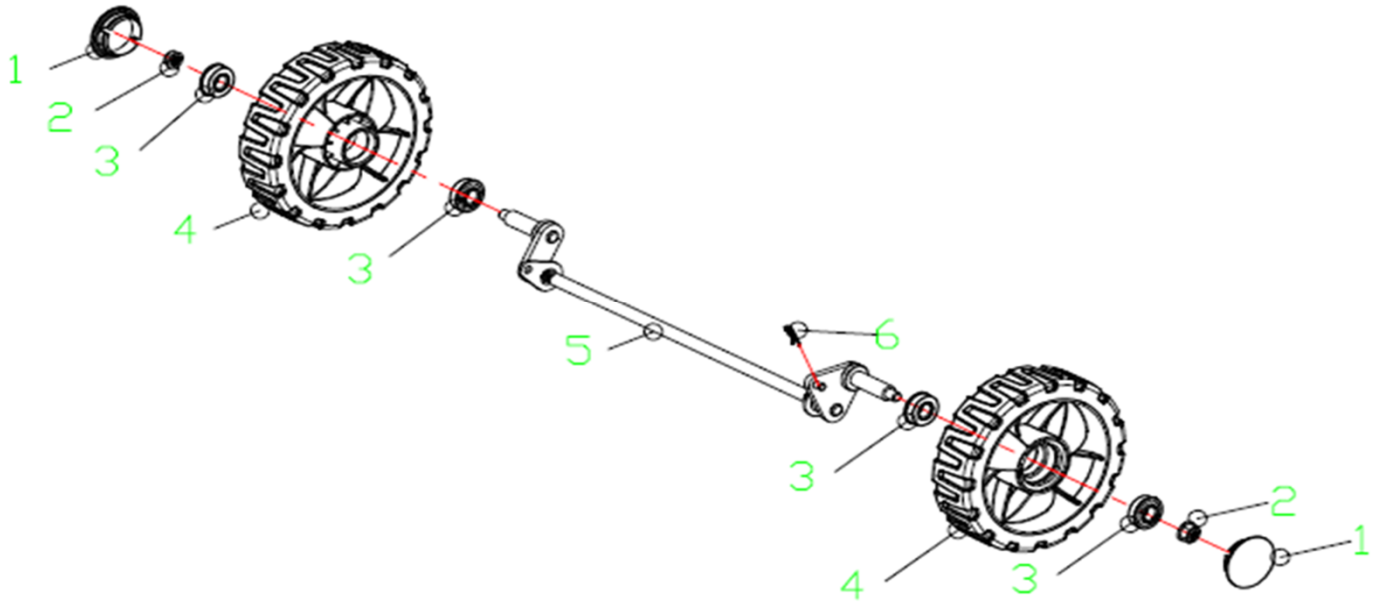
No	Code	Name	Qty	No	Code	Name	Qty
1		Foam pipe	1	25			
2	040419	Stop lever	1	26			
3		Bolt M6x30	2	27			
4	040420	Lever guard	1	28			
5	037157	Brake Cable Assy plate	1	29			
6		Self-locking nut	2	30			
7	037188	Upper handrail	1	31			
8		Rope Guide	1	32			
9		Cap nut M6/8. 8	1	33			
10	040421	Brake cable	1	34			
11		Pin Ø6x20	2	35			
12		Quick fix knob	2	36			
13		Quick Fix Handle	2	37			
14		Lock for fast fix handle	2	38			
15		Flat washer Ø8.4xØ16x1.6	4	39			
16		Lock nut	2	40			
17		Hexagon nut M8	4	41			
18	040422	Lower handrail	2	42			
19		Fastener	1	43			
20		Thin knob	2	44			
21		Half round head square neck bolts M8x20/8. 8	2	45			
				46			
22		Half round head square neck bolts M8x32/8. 8	2	47			
				48			
23		Triangle knob	2	49			
24		Handrail stopper	2	50			

V 42 T - Engine and deck



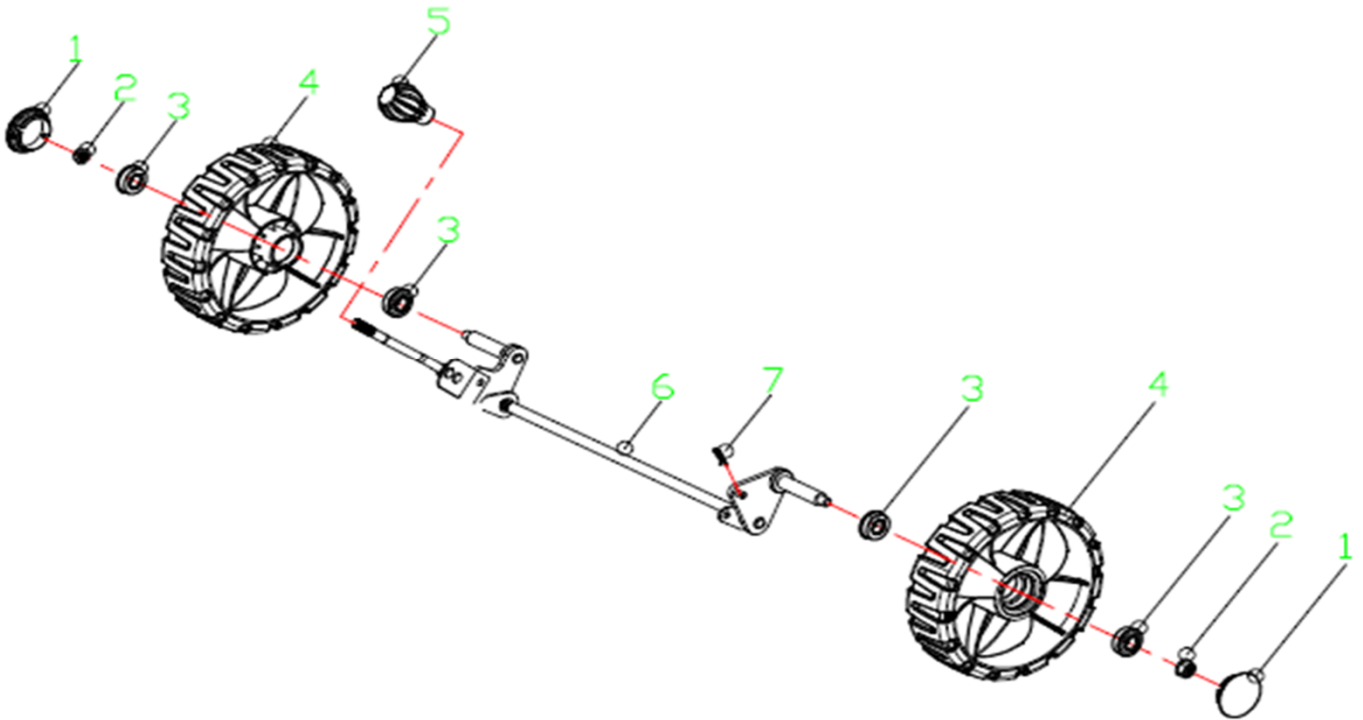
No	Code	Name	Qty	No	Code	Name	Qty
1	040559	Petrol engine	1	25			
2		Phillips flat head self tapping screw ST6. 3x18	2	26			
3		Large flat washer $\varnothing 6 \times \varnothing 18 \times 1.6$	2	27			
4		Self-locking nut M6	3	28			
5		Rear discharge base	2	29			
6		Rear discharge base	1	30			
7		Bolt M6x16	3	31			
8		Hex lock nut GB/T6182-M8	6	32			
9		Right bracket	1	33			
10		Half round head square neck bolts M8x15/8. 8	6	34			
11		Self-locking nut M6/8. 8	4	35			
12		Bolt M6x12	4	36			
13	040426	Height Adjustment Pull Rod	1	37			
14		Hexagon head bolts GB/T5789-1986 M8x25	3	38			
15	040427	Deck assy.	1	39			
16		Height adjustment board	1	40			
17		Right bracket	1	41			
18		"O" ring $\varnothing 11.2 \times \varnothing 2.65$	1	42			
19		Inlet	1	43			
20		Pipe connector nut M12x1.25	1	44			
21		Cable stopper	1	45			
22				46			
23				47			
24				48			
				49			
				50			
				51			

V 42 T - Front drive



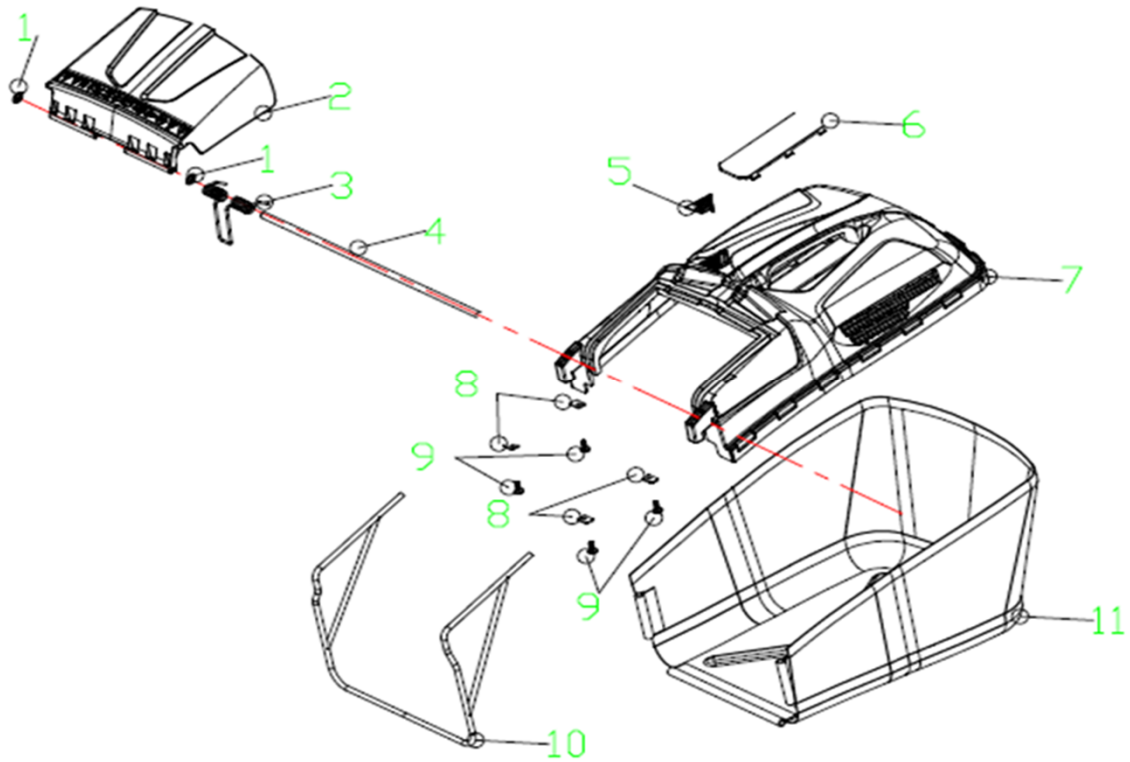
No	Code	Name	Qty	No	Code	Name	Qty
1	040428	Outer cover of hub	2	25			
2		Self-locking nut M8	2	26			
3	023420	Wheel punch bearing	4	27			
4	040433	Wheel assy.	2	28			
5	040434	Front drive assy.	1	29			
6		R type pin	1	30			
7				31			
8				32			
9				33			
10				34			
11				35			
12				36			
13				37			
14				38			
15				39			
16				40			
17				41			
18				42			
19				43			
20				44			
21				45			
22				46			
23				47			
24				48			

V 42 T - Rear Drive



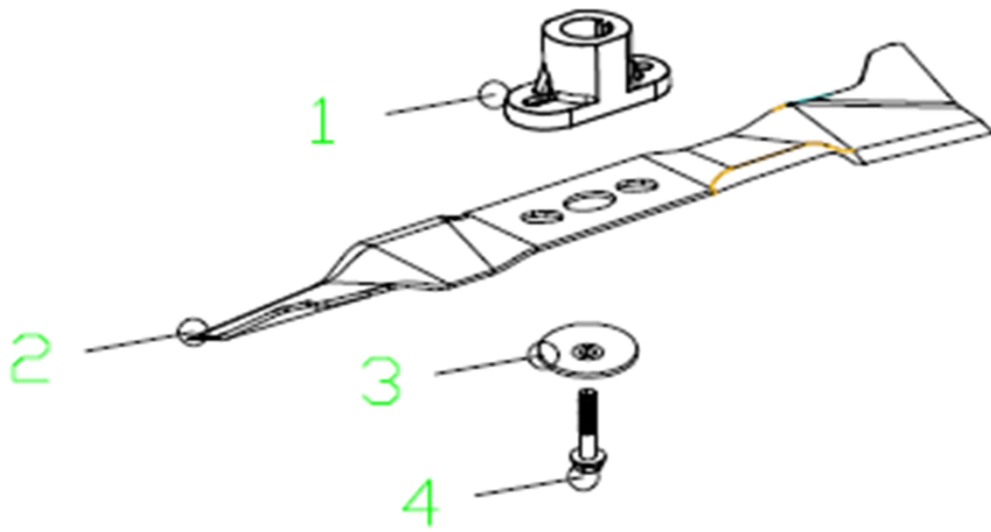
No	Code	Name	Qty	No	Code	Name	Qty
1	040428	Outer cover of hub	2	25			
2		Self-locking nut M8	2	26			
3	023420	Wheel punch bearing	4	27			
4	040435	Wheel assy.	2	28			
5		Height adjustment ball	1	29			
6	040436	Rear drive assy.	1	30			
7		R type pin	1	31			
8				32			
9				33			
10				34			
11				35			
12				36			
13				37			
14				38			
15				39			
16				40			
17				41			
18				42			
19				43			
20				44			
21				45			
22				46			
23				47			
24				48			

V 42 T - Grass catcher and rear discharge








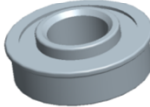
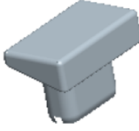
No	Code	Name	Qty	No	Code	Name	Qty
1		Lock washer	2	25			
2	040437	Back	1	26			
3	025834	Cover spring	1	27			
4		Shaft for rear discharge cover	1	28			
5		Air-out board of fabric grass bag cover	1	29			
6		Protection board of grass bag	1	30			
7	040438	Top of grass box	1	31			
8		Gasket	4	32			
9		Phillips flat head self tapping screw ST6. 3x14	4	33			
				34			
10	040439	Plastic top frame	1	35			
11	040440	Fabric grass bag	1	36			
12				37			
13				38			
14				39			
15				40			
16				41			
17				42			
18				43			
19				44			
20				45			
21				46			
22				47			
23				48			
24				49			

V 42 T - Blade



No	Code	Name	Qty	No	Code	Name	Qty
1	040441	Blade Adapter	1	25			
2	040442	Blade	1	26			
3		Blade washer	1	27			
4	040443	Lnch hex flange bolts	1	28			
5				29			
6				30			
7				31			
8				32			
9				33			
10				34			
11				35			
12				36			
13				37			
14				38			
15				39			
16				40			
17				41			
18				42			
19				43			
20				44			
21				45			
22				46			
23				47			
24				48			

V 42 T - Wearing parts

No	Code	Name	Picture
1	040441	Blade Adapter	
2	040442	Blade	
3		wheel assy.	
4	040428	outer cover of hub	
5		wheel assy.	
6		wheel punch bearing	
7		rear discharge base	
8		triangle knob	